



## Dense Wavelength Division Multiplexer (GK-DWDM Series)

### ● Description

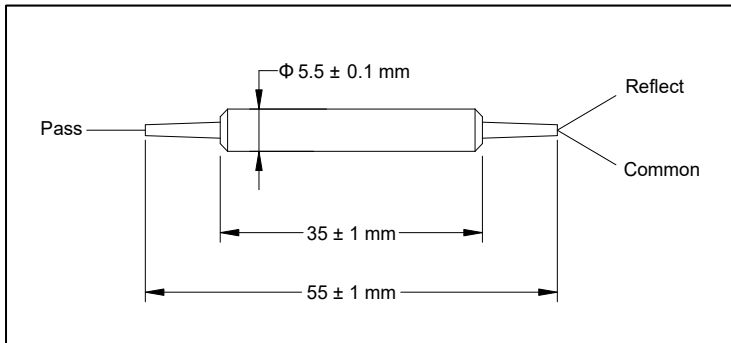
The Dense Wavelength Division Multiplexer series is designed and manufactured to Telcordia standard and ITU standard. The devices use environmentally stable thin film filter and advanced packaging technology to achieve wide passband, low insertion loss, high channel isolation and excellent environmental stability. They can be used to perform single channel add or drop function or can be cascaded into sequence for multi-channel applications in DWDM systems.

### ● Specifications

Parameter	Unit	Value
Filter Type	-	100 GHz 200 GHz
Pass Band Center Wavelength	nm	ITU Grid
Min. Bandwidth @ 0.5 dB	nm	0.22 0.5
Max. Insertion Loss	dB	1.0 0.8
Min. Channel Isolation	dB	25
Reflection Band Max. Insertion Loss	dB	0.4
Min. Channel Isolation	dB	12
Max. Polarization Dependent Loss	dB	0.1
Min. Directivity	dB	45
Min. Return Loss	dB	50
Center Wavelength Stability	nm/°C	0.002
Thermal Stability	dB/°C	0.005
Max. Optical Power	mW	300
Max. Tensile Load	N	5
Fiber Type	-	SMF-28 Fiber
Operating Temperature	°C	- 5 to + 70
Storage Temperature	°C	- 40 to + 85

<sup>1</sup>IL is 0.3 dB higher, RL is 5 dB lower for each connector added.

## ● Package Dimensions



## ● Ordering Information

GK-DWDM-①-②-③-④-⑤

### ①: Channel Spacing

- 1 - 100 GHz
- 2 - 200 GHz

### ②: ITU Grid

- 1 - FC/UPC
- 2 - FC/APC
- 3 - SC/UPC
- 4 - SC/APC
- N - None
- S - Specify

### ③: Connector Type

- 1 - FC/UPC
- 2 - FC/APC
- 3 - SC/UPC
- 4 - SC/APC
- N - None
- S - Specify

### ④: Fiber Type

- B - 250  $\mu$ m Bare Fiber
- L - 900  $\mu$ m Loose Tube
- S - Specify

### ⑤: Fiber Length

- 1 - 1.0 m
- S - Specify