

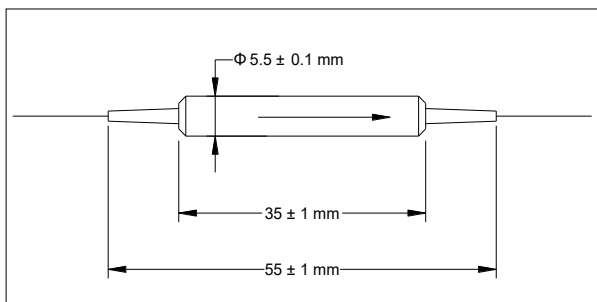
Bandpass Filter (GK-BP Series)

● Specifications

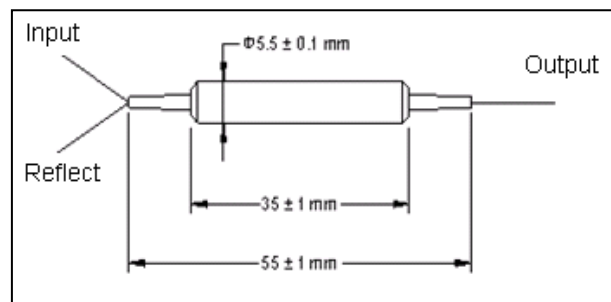
Parameter	Unit	Type A
Center Wavelength	nm	1030
Min. Filter Pass Band @ - 0.5 dB	nm	2
Max. Insertion Loss over Pass Band	dB	1.0
Wavelength suppression (1000 - 1025 & 1035 - 1100 nm)	dB	30
Max. Insertion Loss over Reflect Band for 3 ports	dB	0.7
Min. Return Loss	dB	50
Max. Polarization Dependent Loss	dB	0.1
Max. Optical Power (Continuous Wave)	W	0.3, 0.5, 1...10
Max. Peak Power for ns pluse	kW	1, 2, 3...10
Max. Tensile Load	N	5
Fiber Type	-	HI 1060 Fiber
Operating Temperature	C	- 5 to + 70
Storage Temperature	C	- 40 to + 85

¹IL is 0.5 dB higher, RL is 5 dB lower for each connector added. Optical power will be 1W only for connector added

● Package Dimensions



Optical Power for reflect band is 1 W or less



Optical Power for reflect band is higher than 1 W

Note: Reflect Port is to take out useless light.

● Ordering Information

GK-BP-①-②-③-④-⑤-⑥-⑦-C, W BP-①-②-③-④-⑤-⑥-⑦-P, W&kW

①: **Wavelength**

1030 - 1030 nm

SS - Specify

②: **Pass Bandwidth**

2 - 2 nm

③: **Connector Type**

1 - FC/UPC

2 - FC/APC

3 - SC/UPC

4 - SC/APC

N - None

④: **Fiber Type**

B - 250 μ m Bare Fiber

L - 900 μ m Loose Tube

S - Specify

⑤: **Fiber Length**

1 - 1.0 m

S - Specify

⑥: **Port**

2 - 2 ports 3 - 3 ports

⑦: **Power Type**

P - Pulse Application

C - Continuous Wave