



1064 nm In-Line Polarizer (GK-ILP Series)

● Description

The 2 μm In-Line Polarizer is designed to pass light with one specific polarization while blocking the other polarization. It can be used to convert unpolarized light into polarized light with high extinction ratio. It can also be used to enhance the extinction ratio of signals with its excellent polarization properties. It is ideal for high speed communication systems and test instrumentations where high polarization extinction ratio is required.

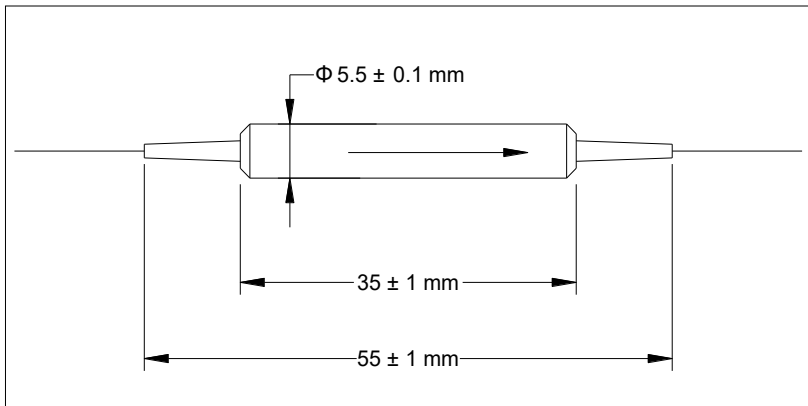
● Specifications

Parameter	Unit	Type A
Center Wavelength (λ_c)	nm	1064
Operating Wavelength Range	nm	$\lambda_c \pm 30$
Typ. Insertion Loss, 23 °C	dB	0.4
Max. Insertion Loss	dB	0.6
Typ. Extinction Ratio, 23 °C	dB	30
Min. Extinction Ratio, 23 °C	dB	28
Max. Optical Power (Continuous Wave)	mW	300
Min. Return Loss	dB	50
Operating Temperature	°C	- 5 to + 70
Storage Temperature	°C	- 40 to + 85

¹IL is 0.5 dB higher, RL is 5 dB lower, and ER is 2 dB lower for each connector added.

²Connector key is aligned to slow axis.

● Package Dimensions



● Ordering Information

GK-ILP-①-②-③-④-⑤

①: Wavelength

06 - 1064 nm

SS - Specify

②: Connector

1 - FC/UPC

2 - FC/APC

3 - SC/UPC

4 - SC/APC

N - None

S - Specify

③: Fiber Jacket

B - 250 μm Bare Fiber

L - 900 μm Loose Tube

S - Specify

④: Fiber Type (Input/Output) ⑤: Fiber Length

1 - PM/PM

2 - SMF/PM

3 - SMF/SMF

Q - 0.75 m

S - Specify