



## 1064 nm Isolator Polarization Beam Combiner/Splitter (GK-PBC/PBS Series)

### ● Description

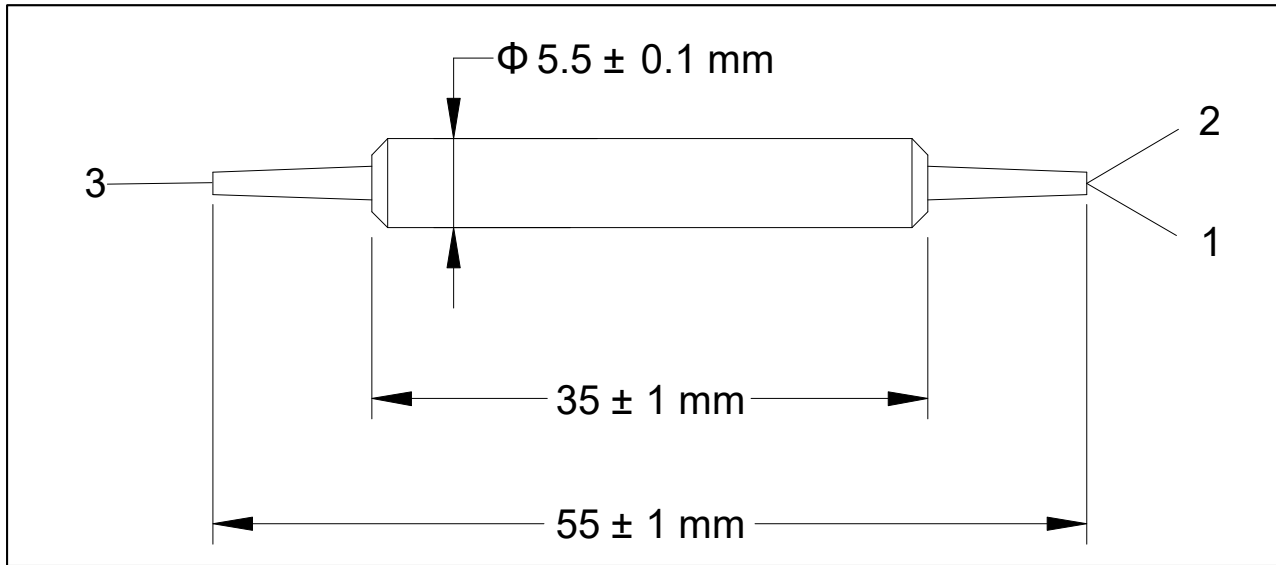
The 1064 nm Isolator Polarization Beam Combiner/Splitter is a compact device which provides both polarization beam combining and optical isolation function in one integrated device. The most common application is to combine the light of two pump lasers into a single fiber to double the pump power.

### ● Specifications

Parameter	Unit	Single Stage
Center Wavelength ( $\lambda_c$ )	nm	1064
Typ. Insertion Loss, 23 °C	nm	1.8
Max. Insertion Loss, 23 °C	dB	2.1
Typ. Isolation, 23 °C	dB	35
Min. Isolation, 23 °C	dB	25
Min. Extinction Ratio (For Splitter Only)	dB	20
Min. Return Loss	dB	50
Min. Directivity	dB	50
Max. Optical Power (Continuous Wave)	mW	300
Fiber Type	-	PM 980 Panda Fiber for Ports 1 & 2 HI 1060 or PM Panda Fiber for Port 3
Max. Tensile Load	N	5
Operating Temperature	°C	- 5 to + 50
Storage Temperature	°C	- 40 to + 85

<sup>1</sup>IL is 0.5 dB higher, RL is 5 dB lower, and ER is 2 dB lower for each connector added.  
Connector key is aligned to slow axis.

## ● Package Dimensions



## ● Ordering Information

GK-IPBS-①-②-③-④-⑤

GK-IPBS-①-②-③-④-⑤

### ①: Wavelength

06 - 1064 nm

SS - Specify

Port 1

### ②: Fiber Type for Port 3

1 - HI 1060 Fiber

2 - Slow Axis Aligned 45°to

3 - Slow Axis Aligned To Port 1

S - Specify

### ③: Connector Type

1 - FC/UPC 4 - SC/APC

2 - FC/APC N - None

3 - SC/UPC S - Specify

### ④: Fiber Jacket

B - 250  $\mu\text{m}$  Bare FiberL - 900  $\mu\text{m}$  Loose Tube

S - Specify

### ⑤: Fiber Length

Q - 0.75 m

S - Specify