



1064 nm Polarization Insensitive Circulator (GK-FCIR Series)

● Description

The Circulator is a compact, high performance lightwave component that routes incoming signals from Port 1 to Port 2, and incoming Port 2 signals to Port 3.

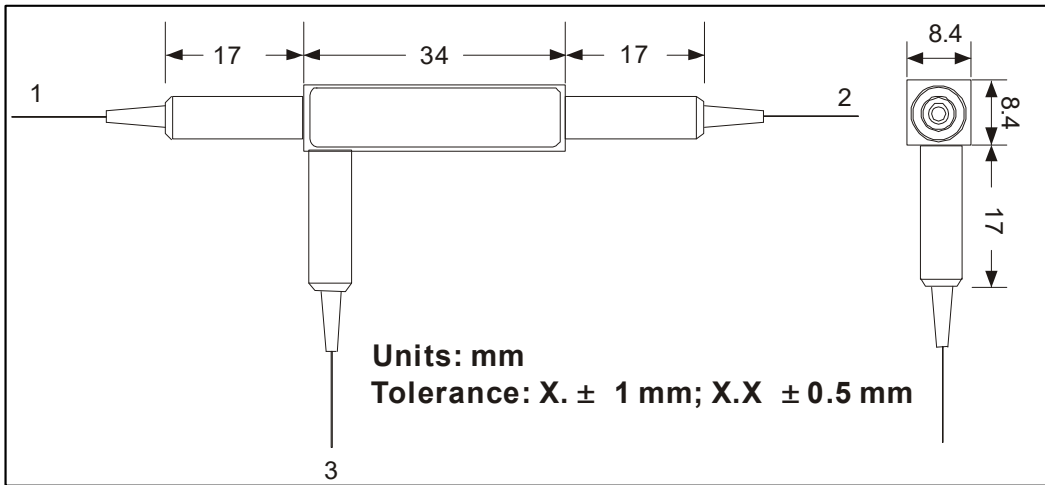
The component provides high isolation, low insertion loss, low PDL, low PMD and excellent environmental stability.

● Specifications

Parameter	Unit	Value
Center Wavelength (λ_c)	nm	1064
Operating Wavelength Range	nm	$\lambda_c \pm 5$
Typ. Insertion Loss, 23 °C	dB	2
Max. Insertion Loss, 23 °C	dB	2.2
Min. Isolation, λ_c 23 °C all polarization states	dB	20
Min. Crosstalk	dB	45
Min. Return Loss	dB	50
Max. Polarization Dependent Loss, 23 °C	dB	0.2
Max. Polarization Mode Dispersion	ps	0.1
Max. Optical Power (Continuous Wave)	mW	300
Max. Tensile Load	N	5
Operating Temperature	°C	0 to + 30
Storage Temperature	°C	- 40 to +85
Fiber Type	-	HI 1060 Fiber
Package Dimensions	mm	34 × 8.4 × 8.4

¹IL is 0.5 dB higher and RL is 5 dB lower for each connector added.

● Package Dimensions



● Ordering Information

GK-FCIR-①-②-③-④-⑤

①: Wavelength

06 - 1064 nm

SS - Specify

②: Connector Type

1 - FC/UPC

2 - FC/APC

3 - SC/UPC

4 - SC/APC

N - None

S - Specify

③: Fiber Jacket

B - 250 μm Bare Fiber

L - 900 μm Loose Tube

S - Specify

④: Fiber Length

1 - 1.0 m

S - Specify

⑤: Fiber Length

Q - 0.75 m

S - Specify