



100 W In-Line Isolator

● Description

The 100 W In-Line Isolator is characterized with low insertion loss, high isolation, high power handling, high return loss, excellent environmental stability and reliability. It is ideal for fiber laser and instrumentation applications.

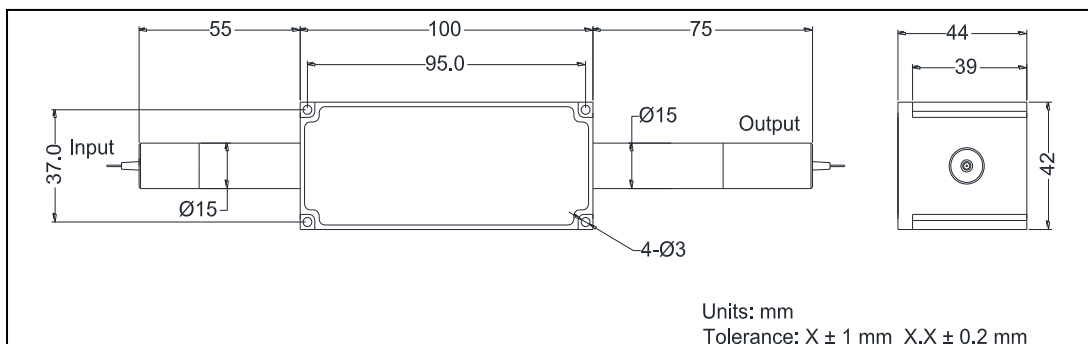
● Key Features

- Low Loss and Low Reflection
- High Power Handling
- Proprietary Thermal Management

● Specifications

Parameter	Unit	Value
Center Wavelength (λ_c)	nm	1064
Operating Wavelength Range	nm	$\lambda_c \pm 10$
Min. Isolation, 23 °C, all polarization states, at λ_c	dB	28
Typ. Insertion Loss, at 23 °C, at λ_c	dB	0.5
Max. Insertion Loss, at 23 °C, at λ_c	dB	0.8
Max. Polarization Dependent Loss	dB	0.1
Min. Return Loss (Input/Output)	dB	50/50
Max. Optical Average Power	W	50 or 100
Max. Peak Power for ns Pluse	kW	20
Fiber Type	-	specified by ordering info
Max. Tensile Load	N	5
Operating Temperature	°C	+ 10 to + 50
Storage Temperature	°C	- 10 to + 60

● Package Dimensions



● Ordering Information

GK-HI-①-②-③-④-⑤-⑥

①: Wavelength

06 - 1064 nm

SS - Specify

②: Handling Power

050 - 50 W

100 - 100 W

SSS - Specify

③: Fiber Jacket

B - Bare Fiber

L - 900 μ m Loose Tube

S - Specify

④: Fiber Length

1 - 1.0 m

S - Specify

⑤: Fiber Type

1 - Nufem, FUD-3584

2 - Nufem LMA-GDF-20/130-M

3 - Nufem-LMA-GDF-20/400-M

S - Specify

⑥: Power Type

P - Pulse Application

C - Continuous Wave