



High Power Polarization Insensitive Circulator (GK-HPCIR Series)

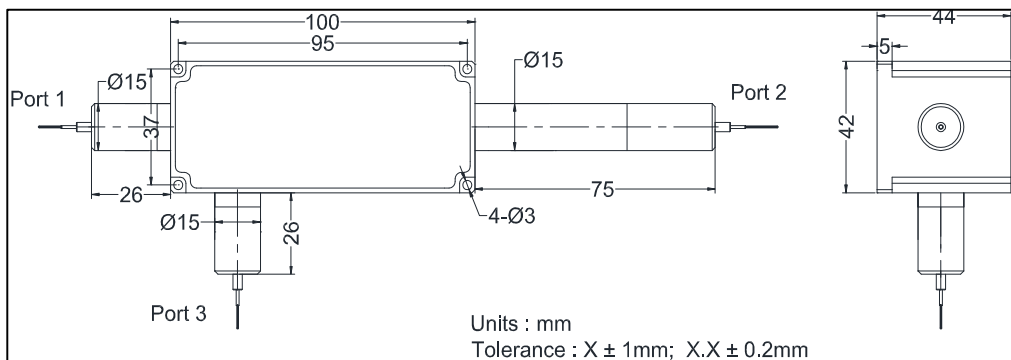
● Description

The High Power Polarization Insensitive Circulator is characterized with low insertion loss, high isolation, high power handling, high return loss. It is ideal for fiber laser and instrumentation applications.

● Specifications

Parameter	Unit	Value
Center Wavelength (λ_c)	nm	1064
Operating Wavelength Range	nm	$\lambda_c \pm 10$
Min. Isolation, 23 °C, all polarization states	dB	25
Typ. Insertion Loss, 23 °C	dB	0.5
Max. Insertion Loss, 23 °C	dB	0.8
Max. Polarization Dependent Loss	dB	0.2
Min. Crosstalk	dB	45
Min. Return Loss	dB	45
Max. Average Optical Power port1→Port2	W	50
port 2→ Port 3		10
Max. Peak Power for ns pulse	KW	20
Max. Tensile Load	N	5
Fiber Type	-	specified by ordering info
Operating Temperature	°C	+ 10 to +50
Storage Temperature	°C	0 to +60

● Package Dimensions



● Ordering Information

GK-HPCIR-①-②-③-④-⑤-⑥-⑦

①: Wavelength

06 - 1064 nm

SS - Specify

②: Handling Power

50 - 50 W

SS - Specify

③: Connector Type

N - None

④: Fiber Jacket

B - 250 μ m Bare Fiber

L - 900 μ m Loose Tube

S - Specify

⑤: Fiber Length

1 - 1.0 m

S - Specify

⑥: Fiber Type

1 - Corning HI 1060 fiber

2 - Nufern FUD-3584 fiber

3 - Nufern LMA-GDF-20/130-M

S - Specify

⑦: Power Type

P - Pulse Application

C - Continuous Wave