



High Power Polarization Insensitive Isolator (GK-HI Series)

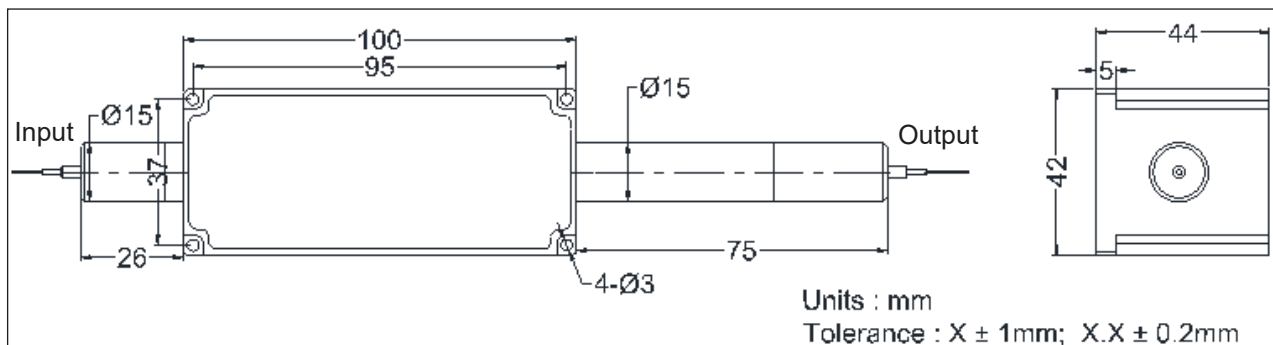
● Description

The High Power Polarization Insensitive Isolator is characterized with low insertion loss, high isolation, high power handling, high return loss, excellent environmental stability and reliability. It is ideal for fiber laser and instrumentation applications.

● Specifications

Parameter	Unit	Value
Center Wavelength (λ_c)	nm	1064
Operating Wavelength Range	nm	$\lambda_c \pm 10$
Min. Isolation, 23 °C, all polarization states	dB	25
Typ. Insertion Loss, 23 °C	dB	0.5
Max. Insertion Loss, 23 °C	dB	0.8
Max. Polarization Dependent Loss	dB	0.2
Min. Return Loss (Input/Output)	dB	45/45
Max. Average Optical Power	W	50
Max. Peak Power for ns pulse	KW	20
Max. Tensile Load	N	5
Fiber Type	-	specified by ordering info
Operating Temperature	°C	+ 10 to + 50
Storage Temperature	°C	0 to + 60

● Package Dimensions



● Ordering Information

GK-HI-①-②-③-④-⑤-⑥-⑦

①: Wavelength

06 - 1064 nm

SS - Specify

②: Handling Power

50 - 50 W

SS - Specify

③: Connector Type

N - None

④: Fiber Jacket

B - Bare Fiber

L - 900 μ m Loose Tube

S - Specify

⑤: Fiber Length

1 - 1.0 m

S - Specify

⑥: Fiber Type

1 - Corning HI 1060 Fiber

2 - Nufern FUD-3584 Fiber

3 - Nufern LMA-GDF-20/130-M

S - Specify

⑦: Power Type

P - Pulse Application

C - Continuous Wave