



High Power Polarization Maintaining Isolator (GK-HPMI Series)

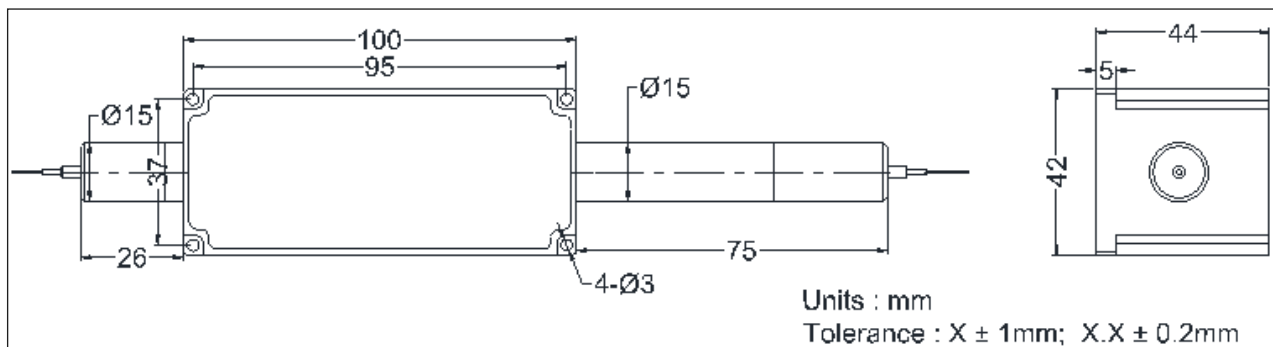
● Description

The High Power Polarization Maintaining Circulator is characterized with low insertion loss, high isolation, high power handling, high return loss, high extinction ratio. It is ideal for fiber laser and instrumentation applications.

● Specifications

Parameter	Unit	Value
Center Wavelength (λ_c)	nm	1064
Operating Wavelength Range	nm	$\lambda_c \pm 10$
Min. Isolation, λ_c , 23 °C	dB	25
Typ. Insertion Loss, 23 °C	dB	0.5
Max. Insertion Loss, 23 °C	dB	0.8
Min. Extinction Ratio	dB	20
Min. Return Loss	dB	45
Max. Average Optical Power	W	50
Max. Peak Power for ns Pulse	kW	20
Max. Tensile Load	N	5
Fiber Type	-	specified by ordering info
Operating Temperature	°C	+ 10 to + 50
Storage Temperature	°C	0 to + 60

● Package Dimensions



● Ordering Information

GK-HPMI-①-②-③-④-⑤-⑥-⑦-⑧

①: Wavelength

06 - 1064 nm

SS - Specify

②: Handling Power

50 - 50 W

SS - Specify

③: Connector Type

N - None

④: Fiber Jacket

B - Bare Fiber

L - 900 μ m Loose Tube

S - Specify

⑤: Fiber Length

1 - 1.0 m

S - Specify

⑥: Working Axis

F - Fast Axis Blocked

⑦: Fiber Type

1 - Nufern FUD-3460

2 - Nufern PLMA-GDF-20/130-M

S - Specify

⑧: Power Type

P - Pulse Application

C - Continuous Wave