

10Gbps APD TO with Burst-mode TIA

WPAPB100SNNCNG1

Features

- Standard TO-46 package with aspherical lens cap
- Application : IEEE 802.3av 10G-EPON OLT

Absolute Maximum Ratings

Parameters	Symbol	Rating	Unit
TIA supply voltage	V_{CC}	-0.5 to +4	V
APD supply voltage	V_{APD}	0 to V_{BR}	V
APD reverse current	I_{APD}	2.5	mA
APD damage level	L_D	-5	dBm
Operating case temperature range	T_C	-40 to +85	°C
Storage temperature range	T_{STG}	-40 to +85	°C

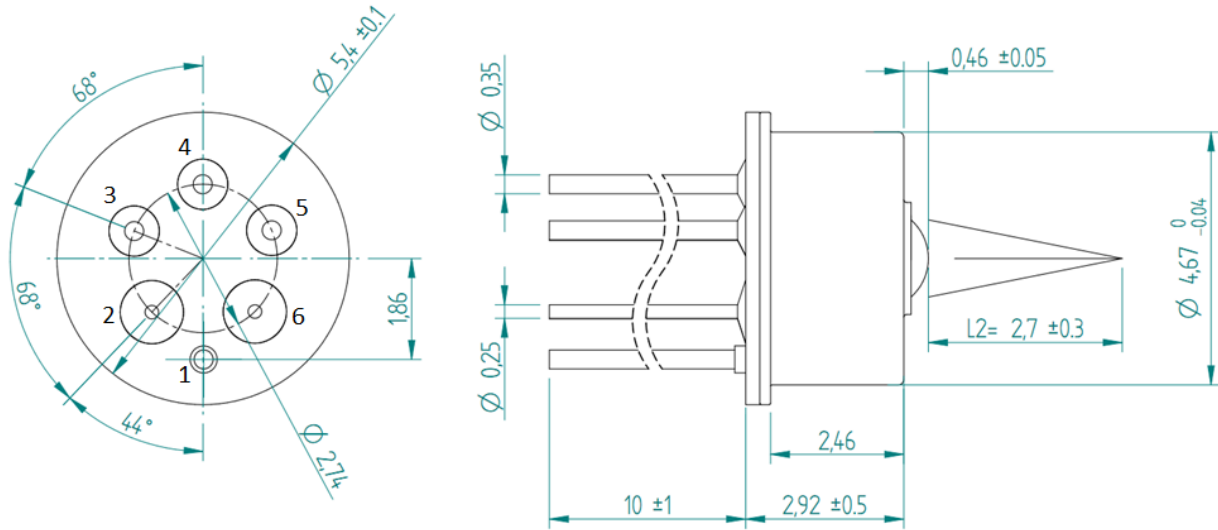
Electro-Optical Characteristics (Typical values are at 25 °C)

Parameters	Symbol	Test Condition	Min.	Typ.	Max.	Unit
TIA supply voltage	V_{CC}	-	2.97	3.3	3.63	V
TIA supply Current	I_{CC}	$V_{CC}=3.3V$		40		mA
Transimpedance	Z_T	Differential (50Ω on each output)		2		kΩ
APD Breakdown voltage	V_{BR}	$I_d=10\mu A$	23	27	31	V
APD dark current	I_d	$0.9 V_{BR}$			500	nA
Sensitivity	P_S	CM* 10.3125Gbps NRZ, PRBS=2 ³¹ -1, BER=1E-3, ER=5.97dB, λ=1310nm		-32	-31	dBm
Overload	P_{MAX}		-5			dBm
Temperature coefficient of V_{BR}	γ	Operating case temperature		20		mV/°C
Optical Wavelength Range	λ	-	1260		1640	nm
Responsivity	R	λ=1310nm, Pin=50uW, Vapd=0.95VB	9	10.5		A/W

* Be measured at continuous mode, not burst mode

Mechanical Dimension

(unit : mm)



Pin Configuration

No.	Pin name	Type	Description
1	GND	Ground	Signal ground
2	Data P	RF output	TIA Positive output
3	V _{CC}	Power	TIA Supply voltage
4	V _{APD}	Power	APD bias voltage
5	Rate	Logic input	Defining data rate of input burst: - Lo : 1.25Gbps operation - Hi : 10.3125Gbps operation
6	Data N	RF output	Negative data output

Wooriro Co., Ltd.
 Tel: +82-62-602-8100
www.wooriro.com
sales@wooriro.com

Specifications described here are subject to change without notice