



Filter Wavelength Division Multiplexer (GK-FWDM Series)

● Description

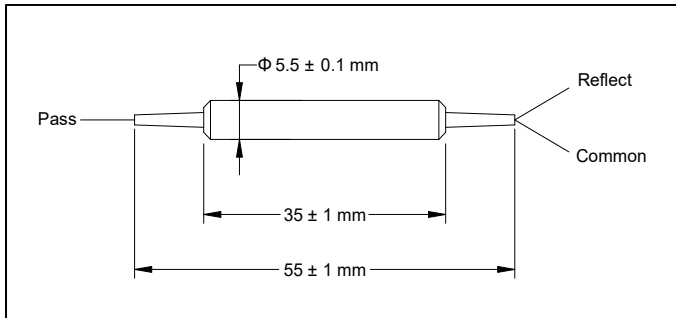
The Filter Wavelength Division Multiplexer is based on environmentally stable thin film filter technology. The devices combine or separate light at different wavelength in a wide wavelength range. They offer very low insertion loss, low polarization dependence, high isolation and excellent environmental stability. High power handling capability can be achieved through unique pigtail processing and high quality AR coating. These components have been extensively used in EDFAs, Raman amplifiers, WDM networks and fiber optical instruments.

● Specifications

Parameter		Unit	Value
Pass Band	Wavelength Range	nm	1270 - 1350 (1530 - 1600)1450 - 1490 (1530 - 1580)1500 - 1520 (1530 - 1570)
	Typ. Insertion Loss	dB	0.4 0.4 0.5
	Max. Insertion Loss	dB	0.6 0.6 0.7
	Typ. Isolation	dB	35 30 35
	Min. Isolation	dB	30 25 30
Reflection Ban	Wavelength Range	nm	1530 - 1600 (1270 - 1350) 1530 - 1580 (1450 - 1490) 1530 - 1570 (1500 - 1520)
	Typ. Insertion Loss	dB	0.3
	Max. Insertion Loss	dB	0.5
	Typ. Isolation	dB	15
	Min. Isolation	dB	12
Min. Return Loss		dB	50
Max. Polarization Dependent Loss		dB	0.1
Typ. Polarization Dependent Loss		dB	0.05
Thermal Stability		dB/°C	0.005
Max. Optical Power		mW	300
Max. Tensile Load		N	5
Fiber Type		-	SMF-28 Fiber
Operating Temperature		°C	- 5 to + 70
Storage Temperature		°C	- 40 to + 85

¹IL is 0.5 dB higher, RL is 5 dB lower for each connector added.

● Package Dimensions



● Ordering Information

GK-FWDM-①-②-③-④

①: Wavelength

3155 - 1310 Pass/1550 Reflect
 5531 - 1310 Reflect/1550 Pass
 4855 - 1480 Pass/1550 Reflect
 5548 - 1480 Reflect/1550 Pass
 5155 - 1510 Pass/1550 Reflect
 5551 - 1510 Reflect/1550 Pass
 SSSS - Specify

②: Connector Type

1 - FC/UPC
 2 - FC/APC
 3 - SC/UPC
 4 - SC/APC
 N - None
 S - Specify

③: Fiber Jacket

B - 250 μm Bare Fiber
 L - 900 μm Loose Tube
 S - Specify

④: Fiber Length

1 - 1.0 m
 S - Specify