

## In-line Faraday Rotator (GK-ILF Series)

### ● Description

The In-line Faraday Rotator is designed to rotate the polarization of the input light by 45 degrees. It performs low insertion loss, high extinction ratio, high return loss and excellent environmental stability. It is used in sensors, amplifiers, lasers, etc.

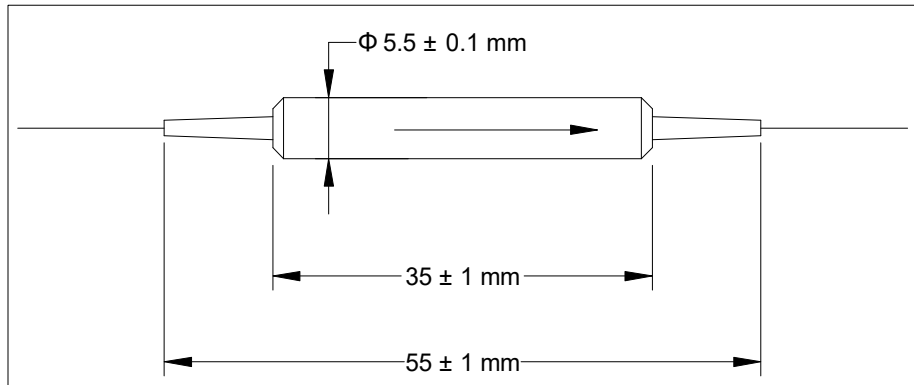
### ● Specifications

Parameter	Unit	Value
Center Wavelength ( $\lambda_c$ )	nm	1310, 1480 or 1550
Operating Wavelength Range	nm	$\lambda_c \pm 15$
Typ. Insertion Loss	dB	0.3
Max. Insertion Loss	dB	0.5
Rotation Angle, $\lambda_c$ , 23 °C	degree	$45 \pm 1$
Min. Extinction Ratio (slow axis of input port is aligned to slow axis of output port, for PM/PM type, at 23 °C)	dB	20
Min. Extinction Ratio (slow axis of output port is aligned to fast axis of input port, for PM/PM type, at 23 °C)	dB	20
Min. Return Loss	dB	50
Max. Optical Power (Continuous Wave)	mW	500
Operating Temperature	°C	- 5 to + 70
Storage Temperature	°C	- 40 to + 85

<sup>1</sup>IL is 0.3 dB higher, RL is 5 dB lower, and ER is 2 dB lower for each connector added.

<sup>1</sup>Connector key is aligned to slow axis.

## ● Package Dimensions



## ● Ordering Information

GK-ILF-①-②-③-④-⑤

### ①: Wavelength

31 - 1310 nm

48 - 1480 nm

55 - 1550 nm

SS - Specify

### ②: Jacket Type

B - 250  $\mu\text{m}$  Bare Fiber

L - 900  $\mu\text{m}$  Loose Tube

### ③: Connector Type

1 - FC/UPC

2 - FC/APC

3 - SC/UPC

4 - SC/APC

N - None

S - Specify

### ④: Fiber Length

Q - 0.75 m

S - Specify

### ⑤: Fiber Type (Input/Output)

1 - PM/PM

2 - SMF/SMF

S - Specify