



Polarization Maintaining Filter Wavelength Division Multiplexer (GK-PMFWDM Series)

● Description

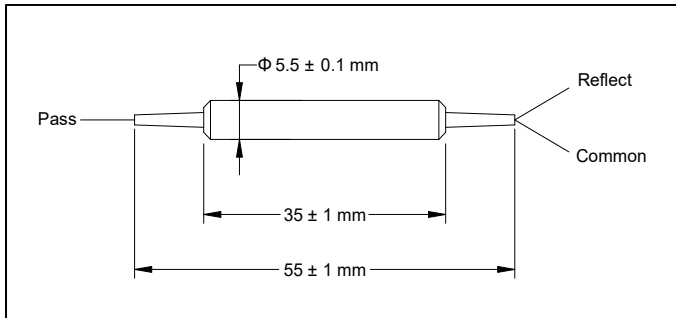
The PM FWDM series provides wavelength division multiplexing while maintaining signal polarization. The components are based on environmentally stable thin-film filter technology and are characterized with high extinction ratio, low insertion loss, and high return loss. They are ideal for high speed WDM network systems.

● Specifications

Parameter	Unit	Value
Wavelength Range	nm	1270 - 1350 (1530 - 1600) 1450 - 1490 (1530 - 1600) 1500 - 1520 (1530 - 1570)
Typ. Insertion Loss	dB	0.4 0.4 0.5
Pass Band Max. Insertion Loss	dB	0.6 0.6 0.7
Typ. Isolation	dB	30 30 30
Min. Isolation	dB	25 25 25
Min. Extinction Ratio	dB	20
Wavelength Range	nm	1530 - 1600 (1270 - 1350) 1530 - 1570 (1500 - 1520) 1530 - 1600 (1450-1490)
Typ. Insertion Loss	dB	0.3
Reflection Band Max. Insertion Loss	dB	0.5
Typ. Isolation	dB	15
Min. Isolation	dB	12
Min. Return Loss	dB	50
Thermal Stability	dB/°C	0.005
Fiber Type	-	PM Panda Fiber
Max. Optical Power (Continuous Wave)	mW	300
Max. Tensile Load	N	5
Operating Temperature	°C	- 5 to + 70
Storage Temperature	°C	- 40 to + 85

¹IL is 0.3 dB higher, RL is 5 dB lower, and ER is 2 dB lower for each connector added.
Connector key is aligned to slow axis.

● Package Dimensions



● Ordering Information

GK-PMFWDM-①-②-③-④

①: Wavelength

3155 - 1310 Pass/1550 Reflect
 5531 - 1310 Reflect/1550 Pass
 4855 - 1480 Pass/1550 Reflect
 5548 - 1480 Reflect/1550 Pass
 5155 - 1510 Pass/1550 Reflect
 5551 - 1510 Reflect/1550 Pass

②: Connector Type

1 - FC/UPC
 2 - FC/APC
 3 - SC/UPC
 4 - SC/APC
 N - None
 S - Specify

③: Fiber Jacket

B - 250 μm Bare Fiber
 L - 900 μm Loose Tube
 S - Specify

④: Fiber Length

Q - 0.75 m
 S - Specify