



Polarization Maintaining Circulator (GK-PMCI RT Series)

● Description

The Polarization Maintaining Circulator is a compact high performance lightwave component that routes incoming signals from Port 1 to Port 2, and incoming Port 2 signals to Port 3. The component provides high isolation, low insertion loss, high extinction ratio, and excellent environment stability.

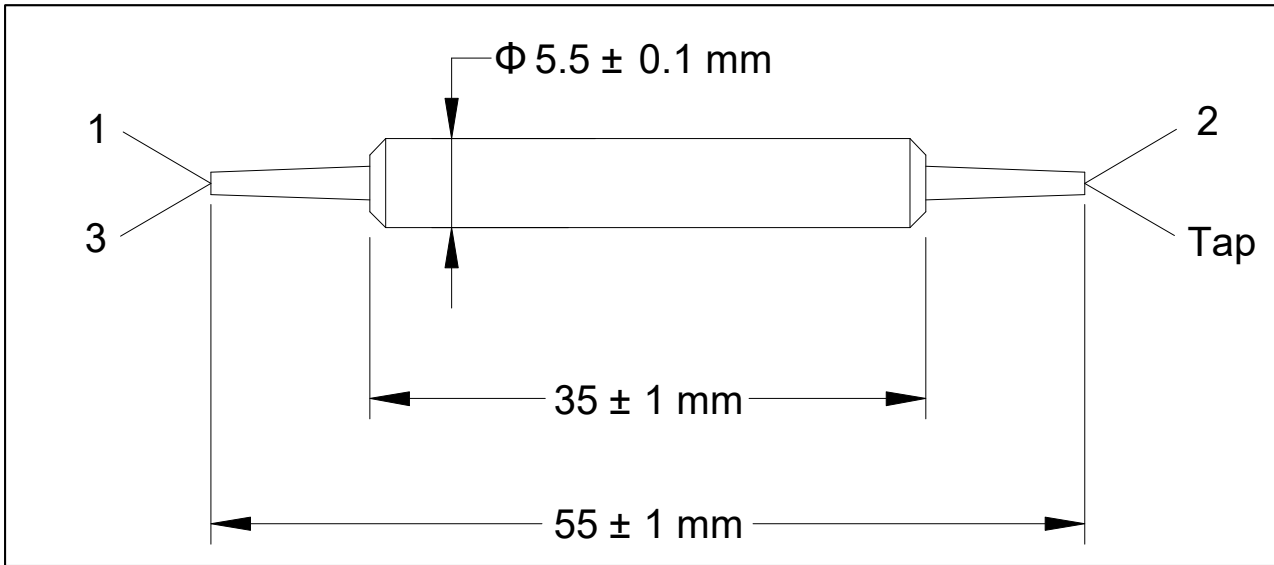
● Specifications

Parameter	Unit	Type A
Center Wavelength (λ_c)	nm	1310, 1550
Operating Wavelength Range	nm	$\lambda_c \pm 30$
Max. Insertion Loss P1 to P2, P2 to P3	dB	1.0
Insertion Loss P1 to Tap	dB	20 - 22
Min. Isolation, 23 °C, P2 to P1, P3 to P2	dB	40
Min. Extinction Ratio	dB	20
Min. Crosstalk P1 to P3	dB	50
Min. Return Loss	dB	50
Max. Optical Average Power	mW	300
Max. Peak Power for ps pluse	kW	10
Max. Tensile Load	N	5
Operating Temperature	°C	- 5 to + 70
Storage Temperature	°C	- 40 to + 85

¹IL is 0.3 dB higher, RL is 5 dB lower, and ER is 2 dB lower for each connector added.
Connector key is aligned to slow axis.

²Optical Power is 1 W only for each connector added. The optical path is aligned to slow axis and fast axis is blocked.

● Package Dimensions



● Ordering Information

GK-PMCIRT-①-②-③-④-⑤-⑥-⑦

GK-PMCIRT-①-②-③-④-⑤-⑥-⑦

①: Wavelength

31 - 1310 nm
55 - 1550 nm
SS - Specify

②: Type

1 - Type A

③: Connector Type

1 - FC/UPC 4 - SC/APC
2 - FC/APC N - None
3 - SC/UPC S - Specify

④: Fiber Jacket

B - 250 μm Bare Fiber
L - 900 μm Loose Tube
S - Specify

⑤: Fiber Length

Q - 0.75 m
S - Specify

⑥: Tap Ratio for Port 1

01 - 1%
SSS - Specify

⑦: Power Type

P - Pulse Application
C - Continuous Wave