



4-Port Polarization Insensitive Mini Fiber Optic Circulator (GK-FCIR Series)

● Description

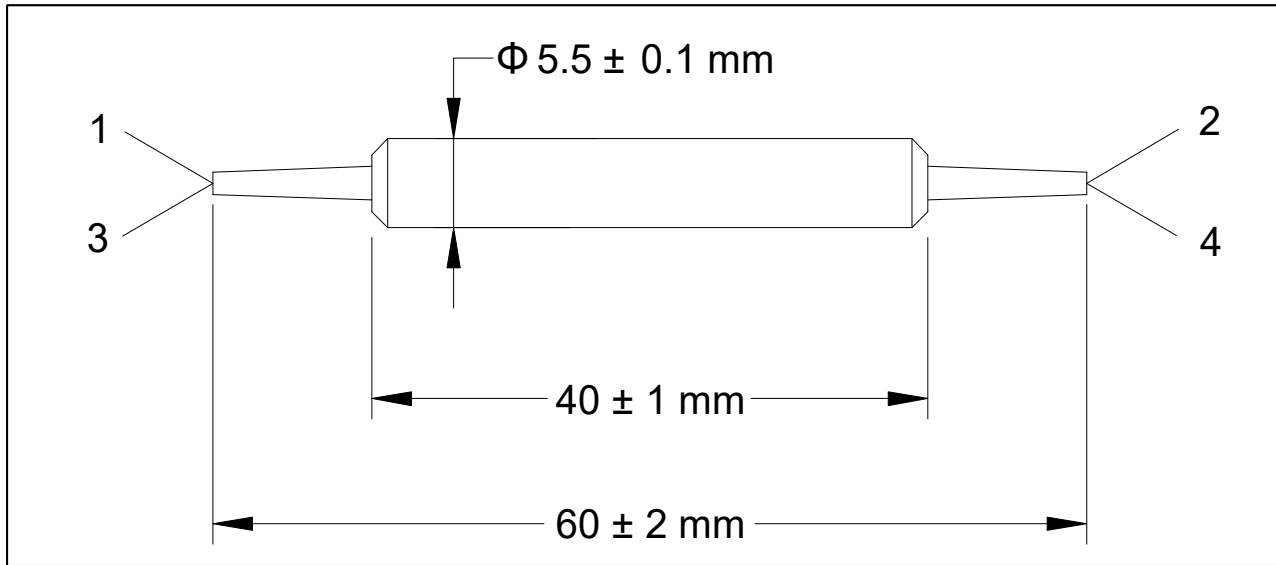
The 4-Port Mini Fiber Circulator is a compact, high performance lightwave component that routes incoming signals from Port 1 to Port 2, Port 2 to Port 3, Port 3 to Port 4. The component provides high isolation, low insertion loss, low PDL, low PMD and excellent environmental stability. It is widely used in combination with fiber gratings and other reflective components in DWDM systems, high speed systems and bi-direction communication systems.

● Specifications

Parameter	Unit	Value
Center Wavelength (λ_c)	nm	1310, 1550
Operating Wavelength Range	nm	$\lambda_c \pm 20$
Transmitting Direction	-	1→2, 2→3, 3→4
Typ. Insertion Loss	dB	0.7
Max. Insertion Loss	dB	0.9
Min. Isolation, 23 °C	dB	38
Min. Crosstalk	dB	50
Min. Return Loss	dB	50
Max. Polarization Dependent Loss, 23 °C	dB	0.2
Max. Polarization Mode Dispersion	ps	0.1
Max. Optical Power (Continuous Wave)	mW	300
Max. Tensile Load	N	5
Fiber Type	-	SMF-28 Fiber
Operating Temperature	°C	0 to + 70
Storage Temperature	°C	- 40 to + 85
Package Dimensions	mm	5.5 × 40

¹IL is 0.3 dB higher and RL is 5 dB lower for each connector added.

● Package Dimensions



● Ordering Information

GK-FCIR-①-②-③-④-⑤

①: Wavelength

31 - 1310 nm

55 - 1550 nm

SS - Specify

②: Connector Type

1 - FC/UPC 4 - SC/APC

2 - FC/APC N - None

3 - SC/UPC S - Specify

③: Fiber Jacket

B - 250 μm Bare Fiber

L - 900 μm Loose Tube

S - Specify

④: Fiber Length

1 - 1.0 m

S - Specify

⑤: Port

4 - 4 Ports