



Mini RC Fiber Isolator (GK-MRCI Series)

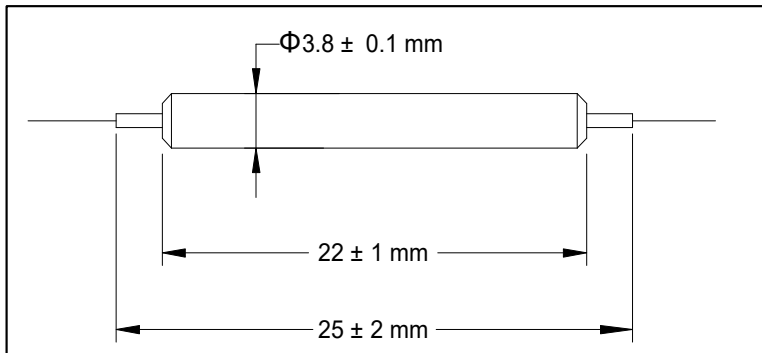
● Description

The Mini Polarization Insensitive Isolator series is characterized with very compact package, low insertion loss, high isolation, high return loss and excellent environmental stability and reliability. It is specifically designed to help the system and subsystem engineers to deal with the ever demanding space and density requirement.

● Specifications

Parameter	Unit	Single Stage Dual Stage			
		Grade P	Grade A	Grade P	Grade A
Center Wavelength (λ_c)	nm	1310, 1480, 1550			
Typ. Peak Isolation	dB	42	40	55	52
Min. Isolation, $\lambda_c \pm 10$ nm, 23 °C, all polarization states	dB	28	25	40	38
Typ. Insertion Loss, $\lambda_c \pm 10$ nm, 23 °C, all polarization states	dB	0.5	0.5	0.6	0.7
Max. Insertion Loss, $\lambda_c \pm 20$ nm, all temperature, all polarization states	dB	0.7	0.8	0.8	0.1
Min. Return Loss (Input/Output)	dB	50/50	50/50	50/50	50/50
Max. Polarization Dependent Loss, 23 °C	dB	0.1	0.15	0.1	0.15
Max. Polarization Mode Dispersion	ps	0.20	0.25	0.05	0.07
Max. Optical Power (Continuous Wave)	mW	300			
Max. Tensile Load	N	5			
Fiber Type	-	RC SMF-28 (MFD 10.5 μ m @ 1550 nm)			
Operating Temperature	°C	- 5 to + 70			
Storage Temperature	°C	- 40 to + 85			

● Package Dimensions



● Ordering Information

GK-MRCI-①-②-③-④-⑤-⑥-⑦ RC SMF

①: **Stage**

1 - Single Stage

2 - Dual Stage

②: **Wavelength**

55 - 1550 nm

SS - Specify

③: **Grade**

P - Premium

A - A Grade

④: **PMD**

2 - Refer to Above Spec.

⑤: **Connector Type**

N - None

⑥: **Fiber Type**

B - 170 μm Bare Fiber

L - 900 μm Loose Tube

S - Specify

⑦: **Fiber Length**

1 - 1 m

S - Specify