

## Polarization Maintaining Isolator (GK-PMI Series)

### ● Description

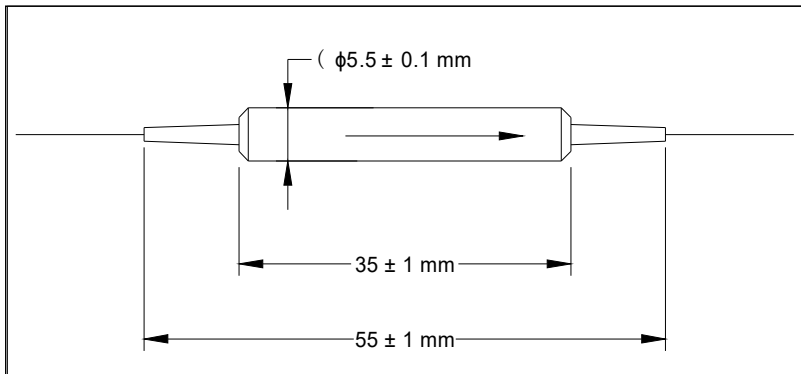
The Polarization Maintaining Isolator is characterized with low insertion loss, high isolation, high return loss, high extinction ratio and excellent environmental stability and reliability. It is ideal for polarization maintaining fiber amplifiers, fiber lasers, high speed communication systems and instrumentation applications.

### ● Specifications

Parameter	Unit	Single Stage Dual Stage			
		Grade P	Grade A	Grade P	Grade A
Center Wavelength ( $\lambda_c$ )	-	1310, 1480, 1550			
Min. Extinction Ratio for - F Version	nm	25	23	25	23
Min. Extinction Ratio for - B Version	dB	20	18	20	18
Typ. Peak Isolation	dB	42	40	58	55
Min. Isolation, $\lambda_c \pm 10$ nm, 23 °C	dB	30	28	46	45
Typ. Insertion Loss, $\lambda_c \pm 20$ nm, 23 °C, all polarization states	dB	0.4	0.5	0.5	0.7
Max. Insertion Loss, $\lambda_c \pm 20$ nm, all temperature, all polarization states	dB	0.6	0.7	0.7	0.9
Min. Return Loss (Input/Output)	dB	55/50	55/50	55/50	55/50
Max. Optical Power (Continuous Wave)	mW	300			
Max. Tensile Load	N	5			
Fiber Type	-	PM Panda Fiber			
Operating Temperature	°C	- 5 to + 70			
Storage Temperature	°C	- 40 to + 85			

<sup>1</sup>IL is 0.3 dB higher, RL is 5 dB lower, and ER is 2 dB lower for each connector added. Connector key is aligned to slow axis.

## ● Package Dimensions



## ● Ordering Information

GK-PMI-①-②-③-④-⑤-⑥-⑦

### ①: Stage

- 1 - Single Stage
- 2 - Dual Stage

### ②: Wavelength

- 31 - 1310 nm
- 48 - 1480 nm
- 55 - 1550 nm
- SS - Specify

### ③: Grade

- P - Premium
- A - A Grade

### ④: Connector Type

- 1 - FC/UPC 4 - SC/AP
- 2 - FC/APC N - None
- 3 - SC/UPC S - Specify

### ⑤: Fiber Jacket

- B - 250  $\mu\text{m}$  Panda Fiber
- L - 900  $\mu\text{m}$  Loose Tube
- S - Specify

### ⑥: Fiber Length

- Q - 0.75 m
- S - Specify

### ⑦: Working Axis

- F - Fast Axis Blocked
- B - Both Axis Working