

Polarization Maintaining Filter Tap Isolator (GK-PMFTI Series)

● Description

The Polarization Maintaining Tap Isolator combines a tap coupler and polarization sensitive/insensitive isolator into a single compact package. It has high extinction ratio and very low insertion loss. The component is ideal for fiber amplifier and fiber optic system where signal monitoring is required.

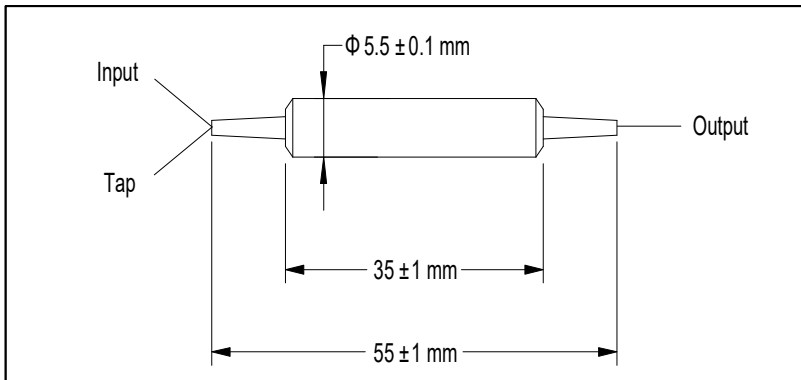
● Specifications

Parameter	Unit	Single Stage	Dual Stage
Center Wavelength (λ_c)	nm	1310, 1480, 1550	
Operating Wavelength Range	nm	$\lambda_c \pm 15$	
Max. Excess Loss	dB	0.8	0.9
Tap Ratio	%	1 \pm 0.5%, 2 \pm 0.4%, 5 \pm 1.0%, 10 \pm 2.0%	
Typ. Peak Isolation	dB	40	55
Min. Isolation, $\lambda_c \pm 10$ nm, 23 °C, all polarization states	dB	30	45
Min. Extinction Ratio	dB	20	
Min. Return Loss	dB	50	
Min. Directivity	dB	50	
Max. Optical Power (Continuous Wave)	mW	300	
Max. Tensile Load	N	5	
Operating Temperature	°C	- 5 to + 70	
Storage Temperature	°C	- 40 to + 85	
Fiber Type	-	SMF-28 or PM Panda Fiber for tap port PM Panda Fiber for Input & Output ports	

¹IL is 0.3 dB higher, RL is 5 dB lower, and ER is 2 dB lower for each connector added. Connector key is aligned to slow axis.

¹The optical path is aligned to slow axis.

● Package Dimensions



● Ordering Information

GK-PMFTI-①-②-③-④-⑤-⑥-⑦-⑧

①: Stage

- 1 - Single Stage
- 2 - Dual Stage

②: Wavelength

- 31 - 1310 nm
- 48 - 1480 nm
- 55 - 1550 nm
- SS - Specify

③: Coupling Ratio

- 01 - 1/99 10 - 10/90
- 02 - 2/98 S - Specify
- 05 - 5/95

④: Connector Type

- 1 - FC/UPC 4 - SC/AP
- 2 - FC/APC N - None
- 3 - SC/UPC S - Specify

⑤: Fiber Jacket

- B - 250 μm Panda Fiber
- L - 900 μm Loose Tube
- S - Specify

⑥: Fiber Type for Tap Port

- M - SMF-28 Fiber
- P - Panda Fiber
- S - Specify

⑦: Fiber Length

- Q - 0.75 m
- S - Specify

⑧: Working Axis (Transmission)

- F - Fast Axis Blocked
- B - Both Axis Working