



Polarization Maintaining Tap Isolator (GK-PMTI Series)

● Description

The Polarization Maintaining Tap Isolator combines a tap coupler and polarization sensitive isolator into a single compact package. It has high ER and very low insertion loss. The component is ideal for fiber amplifier and fiber optic system where signal monitoring is required.

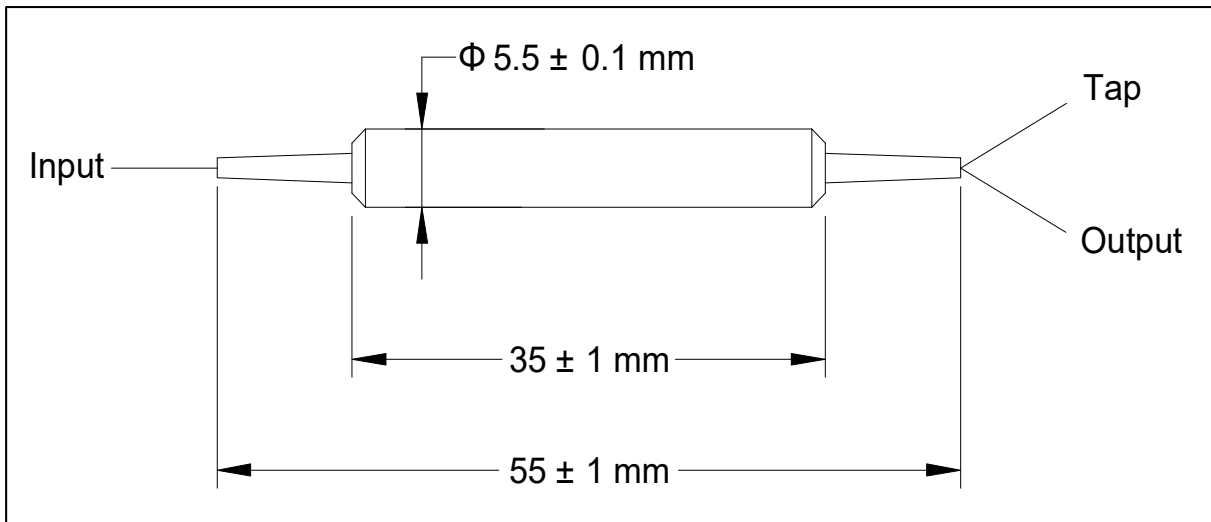
● Specifications

Parameter	Unit	Single Stage Dual Stage
Center Wavelength (λ_c)	nm	1310, 1480, 1550
Operating Wavelength Range	nm	$\lambda_c \pm 15$
Max. Excess Loss	dB	0.8 0.9
Tap Ratio	%	$1 \pm 0.2, 2 \pm 0.4, 4 \pm 0.8, 5 \pm 1.0, 10 \pm 2.0$
Typ. Peak Isolation	dB	40 55
Min. Isolation, $\lambda_c \pm 10$ nm, 23 °C, all polarization states	dB	30 48
Min. Extinction Ratio	dB	20
Min. Return Loss	dB	50
Min. Directivity	dB	50
Max. Optical Power (Continuous Wave)	mW	300
Max. Tensile Load	N	5
Operating Temperature	°C	- 5 to + 70
Storage Temperature	°C	- 40 to + 85
Fiber Type	-	PM Panda Fiber for input & output ports

¹IL is 0.3 dB higher, RL is 5 dB lower, and ER is 2 dB lower for each connector added. Connector key is aligned to slow axis.

¹The optical path is aligned to slow axis and fast axis is blocked.

● Package Dimensions



● Ordering Information

GK-PMTI-①-②-③-④-⑤-⑥-⑦-⑧

①: Stage

- 1 - Single Stage
- 2 - Dual Stage

②: Wavelength

- 31 - 1310 nm
- 48 - 1480 nm
- 55 - 1550 nm
- SS - Specify

③: Coupling Ratio

- 01 - 1/99 05 - 5/95
- 02 - 2/98 10 - 10/90
- 04 - 4/96 SS - Specify

④: Connector Type

- 1 - FC/UPC 4 - SC/AP
- 2 - FC/APC N - None
- 3 - SC/UPC S - Specify

⑤: Fiber Jacket

- B - 250 μm Panda Fiber
- L - 900 μm Loose Tube
- S - Specify

⑥: Fiber Type for Tap Port

- M - SMF-28 Fiber
- P - Panda Fiber
- S - Specify

⑦: Fiber Length

- Q - 0.75 m
- S - Specify

⑧: Working Axis

- F - Fast Axis Blocked