



# C Band Red/Blue Wavelength Division Multiplexer (GK-CRBWDM Series)

## ● Description

The C Band Red/Blue Filter Wavelength Division Multiplexer is a micro optics device based on environmentally stable thin film filter technology. It is used to separate or combine Red band wavelength signals and Blue band wavelength signals in C band range in DWDM systems. The components are characterized with wide passband, low insertion loss, high return loss, excellent environmental stability and high power handling capability.

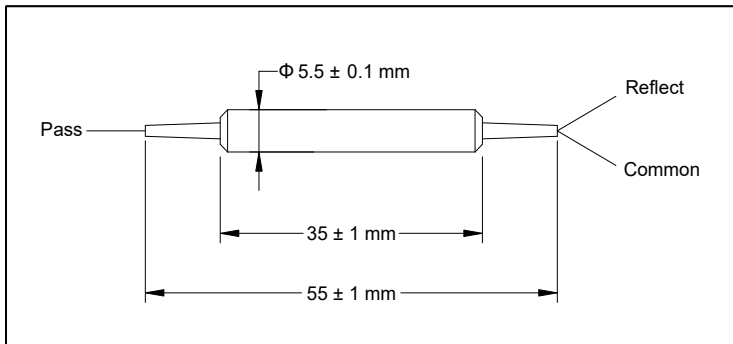
## ● Specifications

Parameter		Unit	Value
Pass Band	Wavelength Range	nm	1530 - 1542 (1548 - 1560)
	Max. Insertion Loss	dB	0.6
	Typ. Insertion Loss	dB	0.4
	Min. Isolation	dB	22
	Typ. Isolation	dB	25
Reflection Band	Wavelength Range	nm	1548 - 1560 (1530 - 1542)
	Max. Insertion Loss	dB	0.5
	Typ. Insertion Loss	dB	0.3
	Min. Isolation	dB	12
	Typ. Isolation	dB	14
Min. Return Loss		dB	50
Max. Polarization Dependent Loss		dB	0.1
Typ. Polarization Dependent Loss		dB	0.05
Thermal Stability		dB/°C	0.005
Max. Optical Power (Continuous Wave)		mW	300
Max. Tensile Load		N	5
Fiber Type		-	SMF-28 Fiber
Operating Temperature		°C	- 5 to + 70
Storage Temperature		°C	- 40 to + 85

<sup>1</sup>IL is 0.3 dB higher, RL is 5 dB lower for each connector added.

<sup>2</sup>All of above value are tested at room temperature @ 23 °C, unless other specified.

## ● Package Dimensions



## ● Ordering Information

GK-CRBWDM-①-②-③-④

### ①: Center Wavelength

4248 - 1530 - 1542 Pass/1548 - 1560 Reflect  
 4842 - 1530 - 1542 Reflect/1548 - 1560 Pass  
 SSSS - Specify

### ②: Connector Type

1 - FC/UPC  
 2 - FC/APC  
 3 - SC/UPC  
 4 - SC/APC  
 N - None  
 S - Specify

### ③: Fiber Jacket

B - 250  $\mu$ m Bare Fiber  
 L - 900  $\mu$ m Loose Tube  
 S - Specify

### ④: Fiber Length

1 - 1.0 m  
 S - Specify