



## 1550 nm Polarization Maintaining Circulator (GK-PM CIR Series)

### ● Description

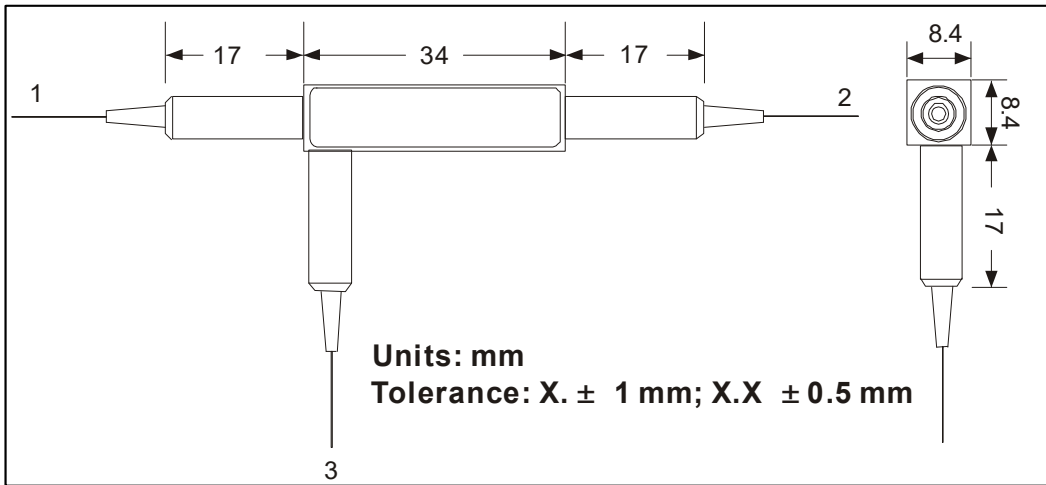
The 1550 nm Polarization Maintaining Circulator is a compact, high performance lightwave component that routes incoming signals from Port 1 to Port 2, and incoming Port 2 signals to Port 3. The component provides high isolation, low insertion loss, high extinction ratio and excellent environmental stability.

### ● Specifications

Parameter	Unit	Value
Center Wavelength ( $\lambda_c$ )	nm	1550
Operating Wavelength Range	nm	$\lambda_c \pm 10$
Min. Extinction Ratio	dB	20
Max. Insertion Loss	dB	1
Min. Isolation	dB	20
Min. Crosstalk	dB	45
Min. Return Loss	dB	50
Max. Optical Power (Continuous Wave)	mW	300
Max. Tensile Load	N	5
Operating Temperature	°C	0 to + 40
Storage Temperature	°C	- 40 to + 85
Fiber Type	-	PM 1550 Fiber
Package Dimensions	mm	(L) 34 × (W) 8.4 × (H) 8.4

<sup>1</sup>IL is 0.3 dB higher, RL is 5 dB lower and PER is 2 dB lower for each connector added.  
Key aligned to slow axis.

● Package Dimensions



● Ordering Information

GK-PMCIR-①-②-③-④-⑤

①: Wavelength

55 - 1550 nm  
SS - Specify

②: Connector Type

1 - FC/UPC  
2 - FC/APC  
3 - SC/UPC  
4 - SC/APC  
N - None  
S - Specify

③: Fiber Type

B - 250 μm Bare Fiber  
L - 900 μm Loose Tube  
S - Specify

④: Fiber Length

Q - 0.75 m  
S - Specify

⑤: Polarization Status

B - Both Axes Working