



Polarization Maintaining Isolator/Wavelength Division Multiplexer Hybrid (GK-PMIWDM Series)

● Description

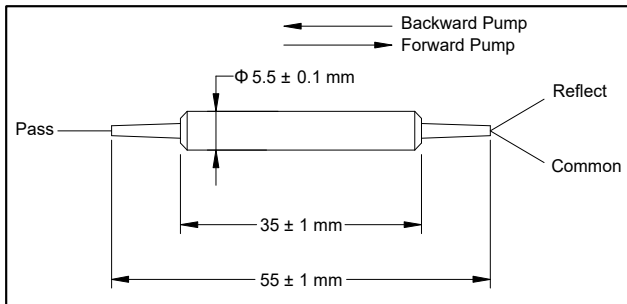
The Polarization Maintaining Isolator/Wavelength Division Multiplexer series combines Filter WDM and isolator into a compact package to offer cost saving solution. This device is ideal for fiber amplifier application to combine signal and pump wavelengths with very stable 1550 nm signal isolation. It is designed and manufactured according to Telcordia standard.

● Specifications

Parameter		Unit	Single Stage	Dual Stage
Pass Band	Signal Wavelength Range	nm	1530 - 1580	
	Max. Insertion Loss	dB	0.8	1.0
	Forward: Pass→Common	-	-	
	Backward: Common→Pass	-	-	
	Typ. Peak of Signal Isolation	dB	40	55
	Min. Signal Isolation (1550 ± 10 nm), 23 °C	dB	30	45
	Forward: Common→Pass	-	-	
	Backward: Pass→Common	-	-	
Reflection Band	Wavelength Range	nm	1270 - 1350 or 1450 - 1490	
	Max. Insertion Loss, Reflect →Common	dB	0.6	
	Min. Extinction Ratio at 23 °C	dB	20	
	Min. Return Loss	dB	50	
	Max. Optical Power (Continuous Wave)	mW	300	
	Max. Tensile Load	N	5	
	Operating Temperature	°C	- 5 to + 70	
	Storage Temperature	°C	- 40 to + 85	

¹IL is 0.3 dB higher, RL is 5 dB lower, and ER is 2 dB lower for each connector added. Connector key is aligned to slow axis.

● Package Dimensions



● Ordering Information

GK-PMIWDM-48-①-②-③-④-⑤-⑥-⑦ GK-PMIWDM-31-①-②-③-④-⑤-⑥-⑦

①: Pump Type

- 1 - Forward Pump
- 2 - Backward Pump

②: Connector Type

- 1 - FC/UPC
- 2 - FC/APC
- 3 - SC/UPC
- 4 - SC/APC
- N - None
- S - Specify

③: Fiber Jacket

- B - 250 μm Bare Fiber
- L - 900 μm Loose Tube
- S - Specify

④: Fiber Length

- Q - 0.75 m
- S - Specify

⑤: Fiber Type for Reflect Port

- M - SMF-28 Fiber
- P - Panda Fiber
- S - Specify

⑥: Stage Type

- 1 - Single Stage
- 2 - Dual Stage

⑦: Working Axis

- F - Fast Axis Blocked
- B - Both Axis Working