

RC Fiber Polarization Insensitive Isolator (GK-RCI Series)

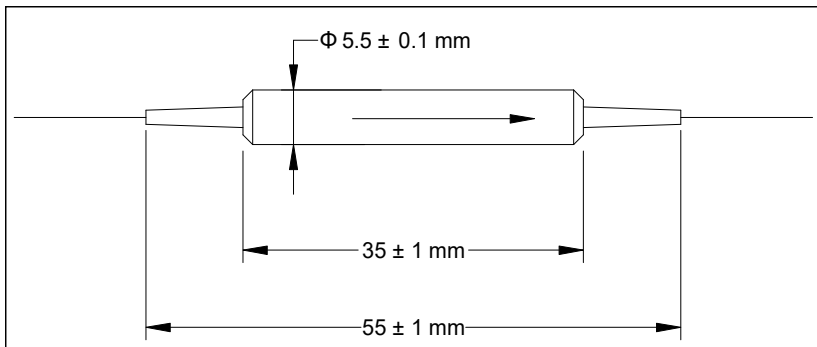
● Description

The RC Fiber Polarization Insensitive Isolator is designed and manufactured to Telcordial standard. The unique manufacturing process and optical path epoxy-free design enhance the device high power handling capability. The device is characterized with high performance, high reliability and low cost. It has been widely used in EDFAs, DWDM systems, Sensors, compact optical circuits and other fiberoptic communication equipments to suppress back reflection and back scattering.

● Specifications

Parameter	Unit	Single Stage Dual Stage			
		Grade P	Grade A	Grade P	Grade A
Center Wavelength (λ_c)	nm	1550			
Typ. Peak Isolation	dB	42	40	58	55
Min. Isolation, $\lambda_c \pm 10$ nm, 23 °C, all polarization states	dB	30	29	46	45
Typ. Insertion Loss, λ_c , 23 °C, all polarization states	dB	0.4	0.5	0.55	0.7
Max. Insertion Loss, $\lambda_c \pm 20$ nm, all temperature, all polarization states	dB	0.6	0.65	0.75	0.9
Min. Return Loss (Input/Output)	dB	55/55	55/55	55/55	55/55
Max. Polarization Dependent Loss, 23 °C	dB	0.05	0.1	0.05	0.1
Max. Polarization Mode Dispersion	ps	0.02	0.25	0.05	0.07
Max. Optical Power (Continuous Wave)	mW	300			
Max. Tensile Load	N	5			
Fiber Type	-	RC SMF-28 (MFD 10.5 μ m @ 1550 nm)			
Operating Temperature	°C	- 5 to + 70			
Storage Temperature	°C	- 40 to + 85			

● Package Dimensions



● Ordering Information

GK-RCI-①-②-③-④-⑤-⑥

①: Stage

- 1 - Single Stage
- 2 - Dual Stage

②: Wavelength

- 55 - 1550 nm
- SS - Specify

③: Grade

- P - Premium
- A - A Grade

④: Connector Type

- N - None

⑤: Fiber Type

- B - 170 μm Bare Fiber
- L - 900 μm Loose Tube
- S - Specify

⑥: Fiber Length

- 1 - 1 m
- S - Specify