



Reduced Cladding In-Line Polarizer (GK-RCILP Series)

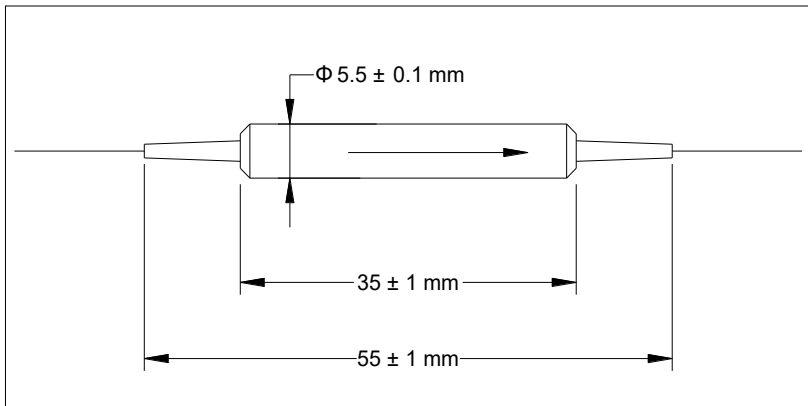
● Description

The Reduced Cladding In-Line Polarizer is designed to pass light with one specific polarization while blocking the other polarization. It can be used to convert unpolarized light into polarized light with high extinction ratio. It can also be used to enhance the extinction ratio of signals with its excellent polarization properties. It is ideal for high speed communication systems and test instrumentations where high polarization extinction ratio is required.

● Specifications

Parameter	Unit	Type A
Center Wavelength (λ_c)	nm	1550
Operating Wavelength Range	nm	$\lambda_c \pm 50$
Typ. Insertion Loss, 23 °C	dB	0.3
Max. Insertion Loss	dB	0.5
Typ. Extinction Ratio, 23 °C	dB	30
Min. Extinction Ratio, 23 °C	dB	28
Max. Optical Power (Continuous Wave)	mW	300
Min. Return Loss	dB	50
Fiber Type	-	RC SMF-28, or RC PM Panda Fiber (MFD 9.5 μ m)
Operating Temperature	°C	- 5 to + 70
Storage Temperature	°C	- 40 to + 85

● Package Dimensions



● Ordering Information

GK-RCILP-①-②-③-④

①: Wavelength

55 - 1550 nm

SS - Specify

②: Fiber Type

B - 170 μ m Bare Fiber

L - 900 μ m Loose Tube

S - Specify

③: Fiber Type (Input/Output)

1 - PM/PM

2 - SMF/PM

3 - SMF/SMF

④: Fiber Length

Q - 0.75 m

S - Specify