

2.5 kW (6+1)×1 Backward Pump Combiner (GK-HPPC Series)

● Description

The High Power (6+1)×1 Backward Pump Combiner enables highly efficient combining of the powers from up to 6 multimode pump diodes into a double cladding output fiber while transfer the kW class signal laser in the reverse direction. Available for different fiber types.

● Features

- Low Signal Insertion Loss
- High Coupling Efficiency
- Proprietary Fiber Tapering Technique

● Applications

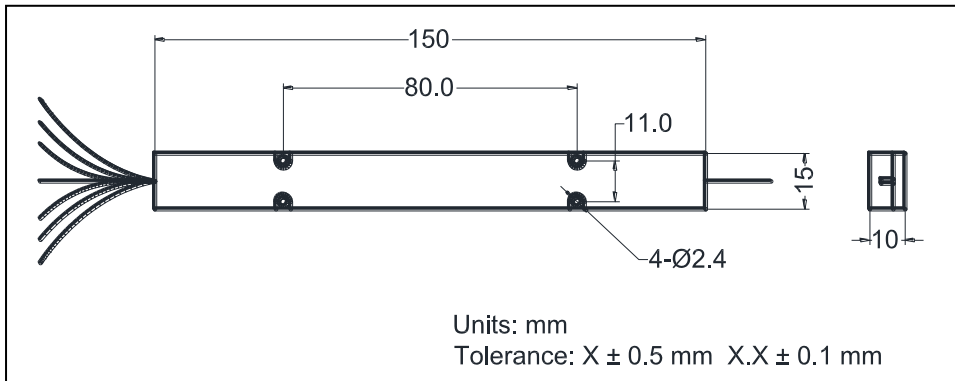
High Power Backward Pump

kW Class Fiber Laser

● Specifications

Parameter	Unit	Value
Product Type	-	Backward pump (6 + 1) ×1
Pump Wavelength	nm	915
Signal Wavelength	nm	1080
Fiber Type for Pump Input	-	MM-S200/220-22A-HP or MM-S220/242-22A-HP
Fiber Type for Signal Input	-	LMA-GDF-20/400-M
Fiber Type for Signal Output	-	LMA-GDF-20/400-M
Max. Signal Insertion Loss	dB	0.3
Typ. Pump Efficiency	%	98.0
Min. Pump Efficiency	%	97.0
Max. Input Pump Power	W	300 ×6
Max. Input Signal Power	W	2500.0
Package Dimensions	mm	150 (L) ×15 (W) ×10 (H)
Operating Temperature	℃	0 to + 65
Storage Temperature	℃	- 40 to + 85

● Package Dimensions



● Ordering Information

GK-HPPC-(6+1)×1-B-①-②-③-④-⑤-⑥

①: Signal Wavelength

1080 - 1080 nm

SSSS - Specify

②: Pump Wavelength

915 - 915 nm

SSS - Specify

③: Fiber Type for Pump Input

220 - MM-S220/242-22A-HP

200 - MM-S200/220-22A-HP

④: Fiber Type for Signal Input

20 - LMA-GDF-20/400-M

SS - Specify

⑤: Fiber Type for Signal Output

20 - LMA-GDF-20/400-M

SS - Specify

⑥: Fiber Length

Q - 0.75 m

S - Specify