



High Power Polarization Insensitive Isolator (GK-HI Series)

● Description

The Polarization Insensitive Isolator is characterized with low insertion loss, high isolation, high return loss and excellent environmental stability and reliability. It is specially designed for 2 μm polarization insensitive fiber amplifiers, fiber laser systems.

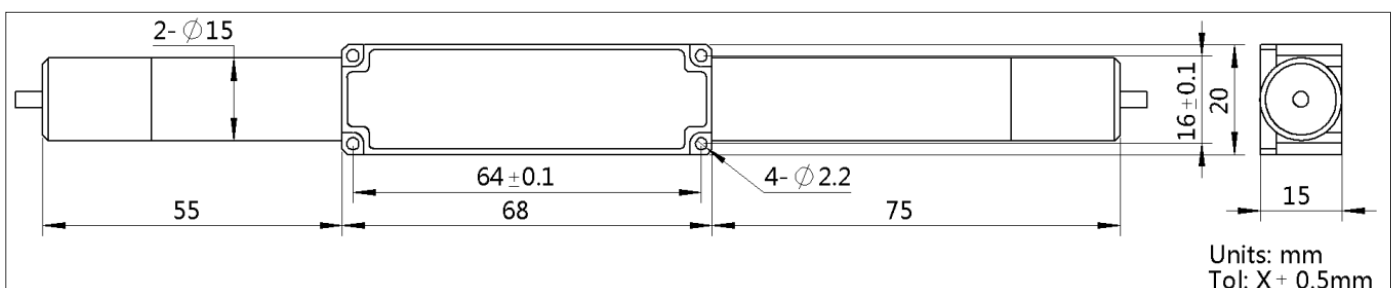
● Specifications

Parameter	Unit	Value
Center Wavelength (λ_c)	nm	1910, 2050
Operating Wavelength Range	nm	$\lambda_c \pm 10$
Max. Polarization Dependent Loss, 23 °C	dB	0.2
Min. Isolation, λ_c , 23 °C, all polarization states	dB	25
Max. Insertion Loss, λ_c , 23 °C, all polarization states	dB	1.6
Min. Return Loss (Input/Output)	dB	45/45
Max. Average Optical Power	W	50
Max. Peak Power for ns pulse	kW	10
Max. Tensile Load	N	5
Fiber Type	-	Specified by ordering info
Operating Temperature	°C	+ 10 to + 50
Storage Temperature	°C	0 to + 60

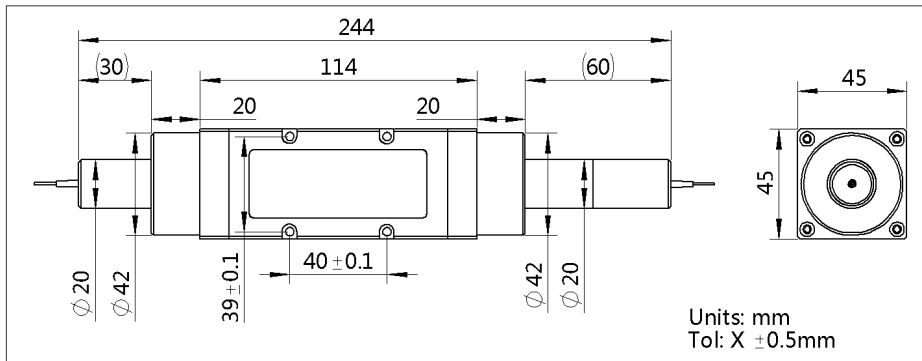
● Package Dimensions

Note: Package type depends on client accepts customized lens (package one) or not (package two).

Package one:



Package two:



● Ordering Information

GK-HI-①-②-③-④-⑤-⑥

①: Wavelength

1910 - 1910 nm
2050 - 2050 nm
SSSS - Specify

②: Handling Power

50 - 50 W
SS - Specify

③: Fiber Type

1 - Nufern LMA-GDF-25/400-09M
2 - Nufern LMA-GDF-25/250-09M
3 - IxBlue IXF-2CF-PAS-20-250-0.08
S - Specify
031 - Nufern BD-S150/180/660-STN, NA0.22
032 - YOFC SI200/220/360-22/650E, NA0.22
033 - Nufern BD-S200/220/360-STN, NA0.22
SSS - Specify

④: Fiber Jacket

B - Bare Fibe

⑤: Fiber Length

Q - 0.75 m
1 - 1.0 m
S - Specify

⑥: Power Type

P - Pulse Application
C - Continuous Wave