



(6 + 1) × 1 Multimode Pump & Signal Combiner (GK-MMPC Series)

● Description

Pump Combiner with Signal Feedthrough

● Features

- High Power Transfer Efficiency
- Wide Wavelength Range
- Proprietary Tapering and Package Technique
- Custom Configurations Available

● Applications

Fiber Lasers

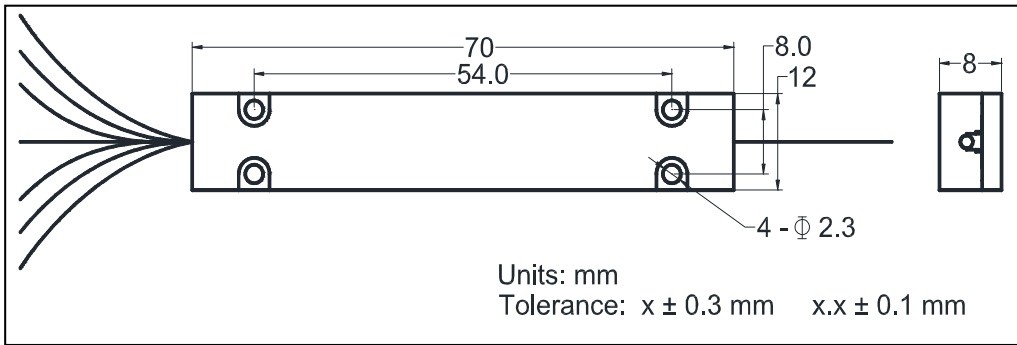
Fiber Amplifiers

● Specifications

Parameter	Unit	Value
Product Type	-	(6 + 1) × 1
Pump Wavelength Range	nm	900 - 1000
Signal Wavelength Range	nm	1064
Fiber Type for Input (Pump Channel)	-	Nufern 105/125 (0.15 NA or 0.22 NA)
Fiber Type for Input (Signal Channel)	-	HI 1060 or 20/130 DC, NA = 0.08/0.46
Fiber Type for Output	-	20/130 DC, NA = 0.08/0.46
Max. Input Pump Power	W	6 × 50
Signal Channel Insertion Loss	dB	< 0.70
Typ. Signal Channel Insertion Loss	dB	0.5
Min. Pump Efficiency	%	93
Typ. Pump Efficiency	%	95
Package Dimensions	mm	70 (L) × 12 (W) × 8 (H)
Operating Temperature	°C	- 5 to + 65
Storage Temperature	°C	- 40 to + 85

¹Mode number summation of all input fibers should be less than that of output fiber.

● Package Dimensions



● Ordering Information

GK-MMPC-(6+1)×1-①-②-③-④-⑤-⑥

①: Signal Wavelength

06 - 1064 nm
SS - Specify

②: Pump Wavelength

915 - 915 nm
976 - 976 nm
SSS - Specify

③: Fiber Type for Pump Input

15 - 105/125 (0.15 NA)
22 - 105/125 (0.22 NA)
SS - Specify

④: Fiber Type for Signal Input

06 - HI 1060
20 - 20/130 DC, NA = 0.08/0.46
SS - Specify

⑤: Fiber Type for Output

20 - 20/130 DC, NA = 0.08/0.46
SS - Specify

⑥: Fiber Length

Q - 0.75 m
S - Specify