



7 × 1 Multi-Mode Pump Combiner (GK-MMPC Series)

● Description

Fiber type can be customized.

● Features

- High Power Transfer Efficiency
- Wavelength Insensitive
- Proprietary Tapering and Package Technique
- Custom Configurations Available

● Applications

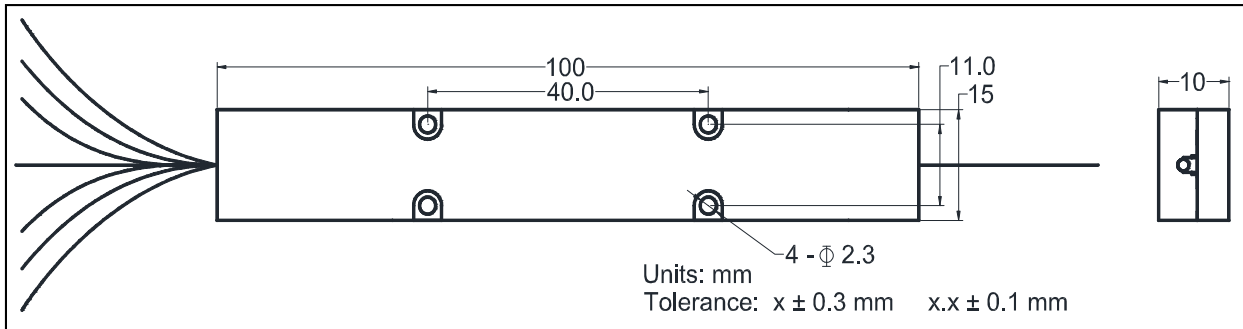
High Power Fiber Laser

● Specifications

| Parameter | Unit | Value |
|------------------------------------------|------|-------------------------------------------|
| Product Type | - | 7 × 1 |
| Pump Wavelength Range | nm | 900 - 1000 |
| Fiber Type for Input (Pump Channel) | - | Nufern 105/125 (0.15 NA or 0.22 NA) |
| Fiber Type for Output | - | MMF 220/242, 0/400,30/250 DCF, 20/400 DCF |
| Max. Input Pump Power | W | 7 × 100 |
| Min. Multimode Power Transfer Efficiency | % | 94 (Typ.95) |
| Package Dimensions | mm | 100 (L) × 15 (W) × 10 (H) |
| Storage Temperature | °C | - 40 to + 85 |
| Operating Temperature | °C | 0 to + 65 |

¹Mode number summation of all input fibers should be less than that of output fiber.

● Package Dimensions



● Ordering Information

GK-MMPC-7x1-①-②-③-④

①: Pump Wavelength

915 - 915 nm

975 - 975 nm

SSS - Specify

②: Fiber Type for Pump Input

15 - 105/125 (0.15 NA)

22 - 105/125 (0.22 NA)

③: Fiber Type for Output

22 - MM-S220242-22A-HP

30 - 30/250 DCF

SS - Specify

④: Fiber Length

Q - 0.75 m

S - Specify