



High Power Polarization Insensitive Isolator (GK-HI Series)

● Description

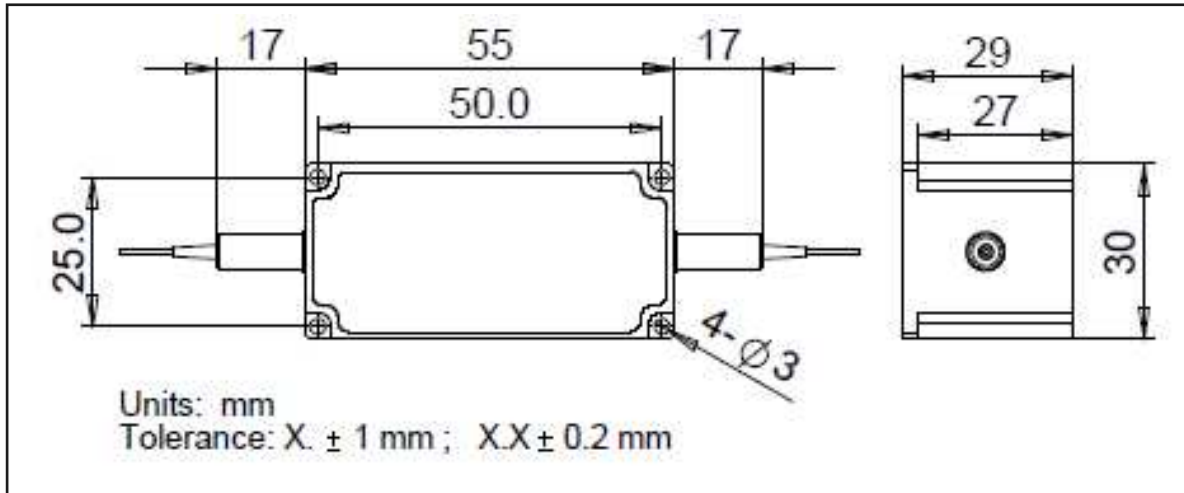
The 830 nm High Power Polarization Insensitive Isolator is characterized with low insertion loss, high isolation, high power handling, high return loss, excellent environmental stability and reliability. It is ideal for fiber laser and instrumentation applications.

● Specifications

Parameter	Unit	Grade P	Grade A
Center Wavelength (λ_c)	nm	830 or specified	
Max. Polarization Dependent Loss	dB	0.15	0.2
Min. Isolation λ_c 23 °C all polarization states	dB	22	20
Typ. Insertion Loss, 23 °C	dB	1.3	1.6
Max. Insertion Loss, 23 °C	dB	1.6	1.8
Min. Return Loss (Input/Output)	dB	50/50	45/45
Max. Optical Power (Continuous Wave)	mW	500	
Max. Tensile Load	N	5	
Fiber Type	-	HI 780 SM Fiber	
Operating Temperature	°C	+ 10 to + 50	
Storage Temperature	°C	0 to + 60	

¹IL is 0.5 dB higher, RL is 5 dB lower, and ER is 2 dB lower for each connector added.

● Package Dimensions



● Ordering Information

GK-HI-①-②-③-④-⑤

①: Wavelength

83 - 830 nm

SS - Specify

②: Grade

P - Premium

A - A Grade

③: Connector Type

1 - FC/UPC 4 - SC/APC

2 - FC/APC N - None

3 - SC/UPC S - Specify

④: Fiber Jacket

B - 250 μ m Bare Fiber

L - 900 μ m Loose Tube

S - Specify

⑤: Fiber Length

1 - 1.0 m

S - Specify