



High Power Polarization Maintaing Fiber Isolator (GK-HPMI Series)

● Description

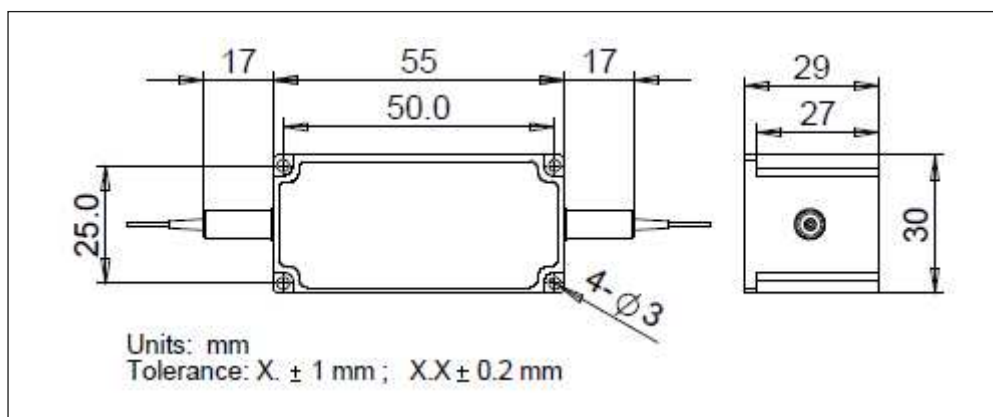
The High Power Polarization Maintaining Isolator is characterized with low insertion loss, high isolation, high power handling, high return loss, excellent environmental stability and reliability. It is ideal for fiber laser and instrumentation applications.

● Specifications

Parameter	Unit	Value
Operating Wavelength (λ_{op})	nm	850
Typ. Insertion Loss, 23 °C	dB	1.3
Max. Insertion Loss, 23 °C	dB	1.6
Typ. Peak Isolation	dB	26
Min. Isolation, λ_c , 23 °C	dB	22
Min. Extinction Ratio	dB	18
Min. Return Loss	dB	45
Max. Optical Power (Continuous Wave)	mW	500
Fiber Type	-	PM 850 Panda Fiber
Operating Temperature	°C	+ 10 to + 50
Storage Temperature	°C	0 to + 60

¹IL is 0.5 dB higher, RL is 5 dB lower, and ER is 2 dB lower for each connector added.
Connector key is aligned to slow axis.

● Package Dimensions



● Ordering Information

GK-HPMI-①-②-③-④-⑤

①: Wavelength

850 - 850 nm

SSS - Specify

②: Connector Type

1 - FC/UPC

2 - FC/APC

3 - SC/UPC

4 - SC/APC

N - None

③: Fiber Jacket

B - 250 um Bare Fiber

L - 900 um Loose Tube

S - Specify

④: Fiber Length

Q - 0.75 m

S - Specify

⑤: Working Axis

F - Fast Axis Blocked

B - Both Axis Working