

NCR-661-VHA

H.264++, 5MP Short Range LPR Camera,
Smart LPR Modes, P-Iris, True WDR



Main Features

- 30fps@5MP
- Smart LPR Modes
- Capture Plate Distance 6M~10M
- Car Speed 50KM/h max.
- Advance P-Iris
- 110 dB True WDR

ONVIF



Product Overview

NEXCOM introduces new H.264++ IR vandal bullet type IP camera, offering outstanding 5MP image quality including zoom focus function, True WDR with H.264++ streaming and no matter car is moving at high speed or it is rainy during day & night. NCR-661-VHA IP Camera is suitable for building surveillance solutions for parking, gate entrances, barriers, etc. It is able to overcome variation light condition and capture plates clearly within 6M~10M distances when cars are moving. Smart LPR Modes are available for clients to attain optimized result during the whole day. IK10 and IP66/IP67 makes IP camera ideal for all kind of extremely working behavior.

H.264++ Technology

The H.264++ technology could reduce bandwidth to perform excellent video compression rate with lower storage consumption. Under the same image quality level if we compare with traditional H.264++ technology can help to save 25%~50% data flowloading or even 98-99% possible bitrate reduction for still scenes to enhance IP camera system performance.



Ultra Low-Light

High sensitivity sensor which features sensitivity less than 0.01 Lux. It can capture good images under the extreme low-light conditions.



Smart LPR Modes

Smart LPR Modes are available with customized and optimized difference parameter settings in order to meet most variations in light, weather and other environmental factors during a day. It is providing clients with more flexibility to attain optimized image results.

When car is moving at high speed



When headlight of car is opened



Specifications

Camera General Information

Image Sensor	1/1.8" 6MP True WDR progressive scan CMOS sensor
Minimum Illumination	B/W 0 lux / Color 0.1 lux
Lens	3.6mm~10mm Motorized Lens, F1.8
Field of View	Horizontal:40°~96° Vertical:30°~75° Diagonal:52°~119°
Iris Type	P-Iris
Day and Night	YES (True D/N)
IR Distance	Effective up to 30M
Target Capture Plate	Reflective
Capture Plate Distance	6M~10M
Car Moving Speed	0~50KM/h
IR Wavelength	850nm
ICR	YES
WDR	YES (True WDR), 110dB
Image Enhance	Brightness, Contrast, Saturation, Sharpness, Hue, Rotation, Flip, Day/Night, Anti-flicker, AWB, BLC, Corridor
Defog	Support
Digital Image Stabilization (DIS)	Support
Analytics	Optional

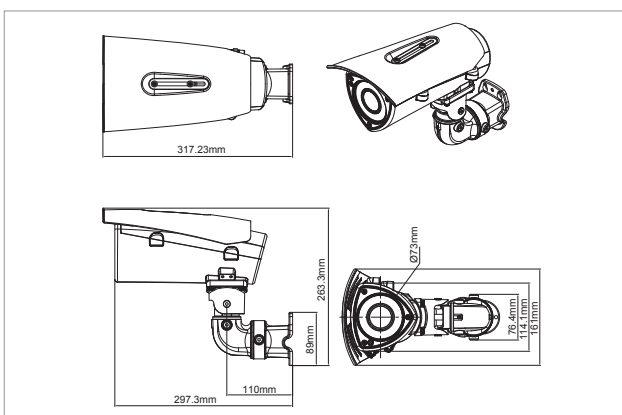
Video

Video Compression	H.264+/M-JPEG
Video Streaming	Triple streaming
Video Quality	VBR/CVBR
Frame Rate	2048x1536 @30 fps 1920x1080 @30 fps 1280x720 @30 fps 640x480 @30 fps 640x360 @30 fps 320x240 @30 fps

Audio

Audio Streaming	Two-way
Audio Compression	G.711 8KHz/16 bits
Audio Input	Line-in
Audio Output	Line-out

Dimension Drawing



Network

Interface	10/100/1000 Mbps ETHERNET, RJ-45
Supported Protocols	HTTP,HTTPS, TCP/IP, UDP, RTP, RTSP,RTCP, FTP client ,FTP server, SMTP,NFS, DHCP, DNS, DDNS, NTP, uPnP, ONVIF, IPv4/v6, SNMP,SSL, LDAP,802.1x,BT28181,SSH
Browser	Internet Explorer, Chrome, Firefox, Safari
Security	Multi-level passwords/HTTP encryption

I/O Connector

Audio in/ out port	3.5mm phone jack x 1
D I/O	DI x 1, DO x 1
RS485	N/A
Micro SD Card Slot	YES, SD Card Slot x 1
RJ45	YES

Event Management

Event Trigger	Alarm, Motion detection, Sabotage
Notifications	Trigger alarm output, e-mail/FTP and record Snapshot/video to Network storage or SD card
Post Recording	YES
Pre Recording	YES

Power

DC/AC	DC 12V/AC 24V terminal block
PoE	YES/IEEE 802.3at (PoE+)

General

Power Consumption	18W max.
Weight	3kg
Dimension	317.23mm (D) x 161mm (W) x 263.3mm (H)
Operating Temp.	-40°C~60°C / -40°F~140°F
Humidity	90%RH (no condensation)
Certification	CE/FCC
Vandal Resistant	IK10
Weather Proof	IP66/IP67
Application	SDK available for application development

Packaging Information

NWT	3 kg
GWT	3.1 kg
Dimension	311mm (D) x 286mm (W) x 178mm (H)

Ordering Information

- ◆ NCR-661-VHA (P/N:10HR0066100X0)