

About

Markets

Capabilities

News

Support

Contact

Optics

Coatings

Opto-Mech

Infrared

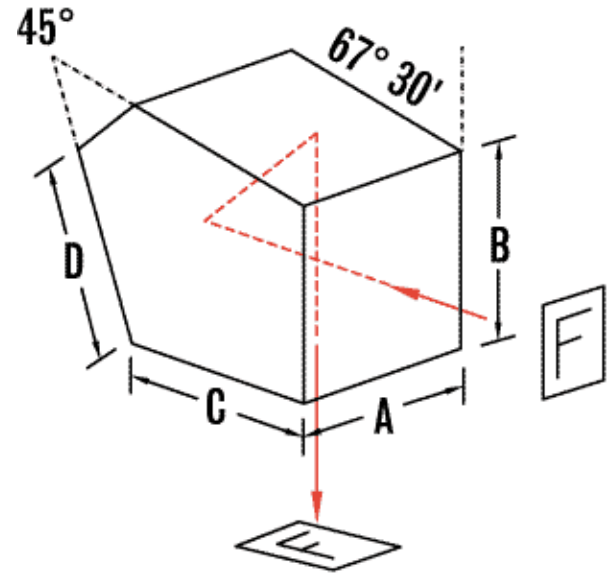
- Windows
- Mirrors
- Partial Reflectors
- Non-Polarizers
- Polarizers
- Waveplates
- Dichroic Filters
- Lenses
- Prisms

- [Optics Tutorial](#)
- [Material Data](#)
- [RMI Standard Specs](#)

Prisms » Penta Prisms

Penta Prisms deviate a beam by 90° without inverting or reversing the image. These prisms also have the property of constant deviation, which means that the 90° deviation angle applies to all rays transmitted by the effective aperture, regardless of their angle with respect to the optical axis.

Penta prisms are thus very useful in applications where prism orientation cannot be precisely controlled. Due to the geometry of penta prisms, the reflecting surfaces due not utilize total internal reflection and must be coated with a metal or dielectric coating.



RMI Standard Specifications

Materials:

BK7, UVFS, FS,
CaF₂

Surface Figure:

All polished surfaces:
λ/20 - λ/100

BK7, UVFS, FS:	$\lambda/20$ at 633 nm
CaF ₂ :	$\lambda/4$ at 633 nm
Surface Quality:	All polished surfaces:
BK7, UVFS, FS:	10-5
CaF ₂ :	20-10
Dimensions:	A=B=C
Dimensional Tolerance:	+ 0.000", - 0.010"
Angular Deviation:	≤ 3 arc minutes
Bevels:	0.010" - 0.030" at 45°
Clear Aperture:	Exceeds central 85% of diameter

[More Prisms](#)

[Request Quote](#)

+1.303.664.5000

866.678.4270

Sales@RMICO.com

The cornerstone of the RMI service philosophy is a collaborative approach with our customers to solve even the most technically challenging requirements. Working with clients in the early stages of development, we transition prototype concepts to efficient and manufacturable solutions.

Site & all contents © 2014 Rocky Mountain Instrument Co.

[Site powered by C★C★S](#)