

activeTwo-15

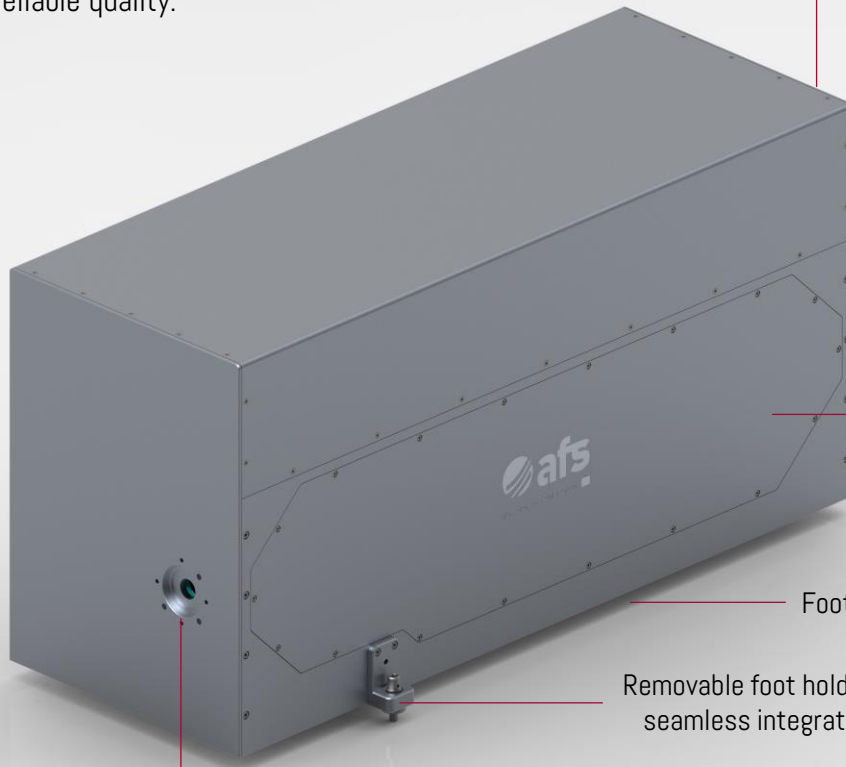
An industrial-grade ultrafast **Thulium** laser



Drive the future of silicon processing!

Combining the unique capabilities of **ultrafast** Thulium lasers within a modular design, the **activeTwo-15** redefines efficiency, versatility and serviceability while offering unique specifications at **2 μm** central wavelength. This laser is made to be seamlessly integrated into your processes, harnessing cutting-edge technology to allow for the highest productivity at reliable quality.

- RTC6 interface
- Control via Software - API



Easy service access via side ports

Footprint: 0.24 m² (2.6 ft²)

Removable foot holds for seamless integration

15W

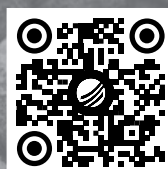
1980nm

100 μJ

<1 Hz – 25 MHz

400 fs – 1.5 ns

- Output prepared for connection to free space or fiber beamguiding system
- Externally controllable AOM for pulse selection
- Safety shutter included



activeTwo-15

An industrial-grade ultrafast Thulium laser



Member of the TRUMPF Group

	activeTwo-15
Central wavelength	approx. 1980nm
Repetition rate	single shot to 25 MHz
Pulse energy	up to 100 μJ (at up to 150 kHz)
Average power	up to 15 W
Pulse duration	<400 fs - 5 ps adjustable, or up to 1.5 ns
Polarization	linear
Beam quality	close to diffraction-limited, $M^2 < 1.3$
RIN slow (average power)	<1% RMS [1/ (24 hours - 1 Hz)]
RIN fast (pulse energy)	<2% RMS [1 Hz - $f_{rep}/2$]
Beam pointing	<10 μrad RMS
Dimensions & Mass	800 mm x 300 mm x 400 mm, <100 kg
Logging	logging of all operation parameters via control software, remote monitoring and service access
Additional features	turnkey reliability, software-controlled parameters, optical isolation, shutter, RTC6 interface, software-API

