



Coarse Wavelength Division Multiplexers (GK-CWDM Series)

● Description

The Coarse Wavelength Division Multiplexer series is designed and manufactured to Telcordia standard. The devices use environmentally stable thin film filter and advanced packaging technology to achieve wide passband, low insertion loss, high channel isolation and excellent environmental stability. They can be used individually to perform single channel add or drop function or can be cascaded into sequence for multi-channel applications in CWDM systems.

● Key Features

- High Channel Isolation
- Low Insertion Loss

● Applications

CWDM System

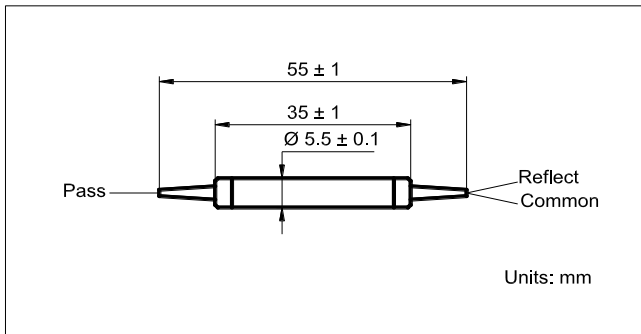
● Specifications

Parameter	Unit	Value
Filter Type	-	Half Band Full Band
Operating Wavelength Range	nm	1460 - 1620 1260 - 1620
Center Wavelength	nm	1471,1491,1511,1531,1551,1571,1591,1611
Min. 0.5 dB Pass Bandwidth	nm	13
Max. Transmission Insertion Loss	dB	0.6
Max. Reflection Insertion Loss	dB	0.5
Min. Adjacent Ch. Isolation	dB	25
Min. Return Loss	dB	50
Max. Polarization Dependent Loss	dB	0.1
Thermal Stability	dB/°C	0.005
Max. Optical Power (Continuous Wave)	mW	300
Fiber Type	-	SMF-28
Operating Temperature	°C	- 5 to + 70
Storage Temperature	°C	- 40 to + 85

¹IL is 0.3 dB higher, RL is 5 dB lower for each connector added.

²All of above value are tested at room temperature @ 23 °C, unless other specified.

● Package Dimensions



● Ordering Information

GK-CWDM-①-②-③-④-⑤

①: Center Wavelength

1471 - 1471 nm
 1491 - 1491 nm
 1511 - 1511 nm
 1531 - 1531 nm
 1551 - 1551 nm
 1571 - 1571 nm
 1591 - 1591 nm
 1611 - 1611 nm
 SS - Specify

②: Connector Type

1 - FC/UPC
 2 - FC/APC
 3 - SC/UPC
 4 - SC/APC
 N - None
 S - Specify

③: Fiber Jacket

B - 250 μ m Bare Fiber
 L - 900 μ m Loose Tube
 S - Specify

④: Fiber Length

1 - 1.0 m
 S - Specify

⑤: Filter Type

H - Half Band
 F - Full Band