

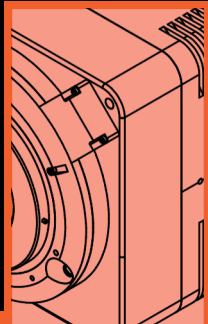
CUBEX

ANGULAR MEASUREMENT FOR

- Displays
- R&D
- Standard Compliance Tests
- Mass Production

USER FRIENDLY

Simple web user Interface

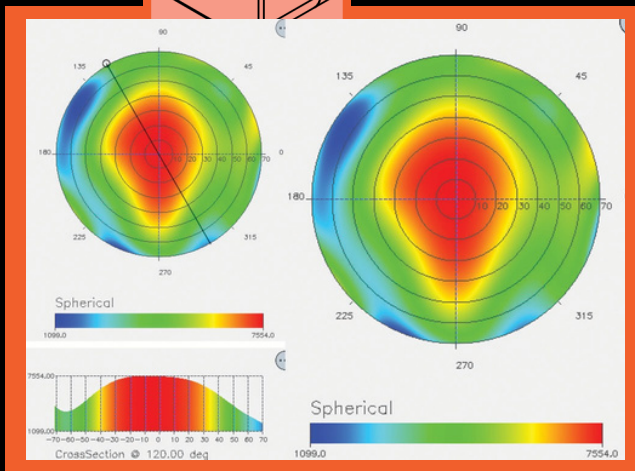


With a combination of fast, easy to handle and proximity sensors embedded in this system, it is very safe to add this model on any kind of mass production line.

The measurement takt time of that equipment is less than 5 seconds, and all the data can be transferred by an ethernet cable.

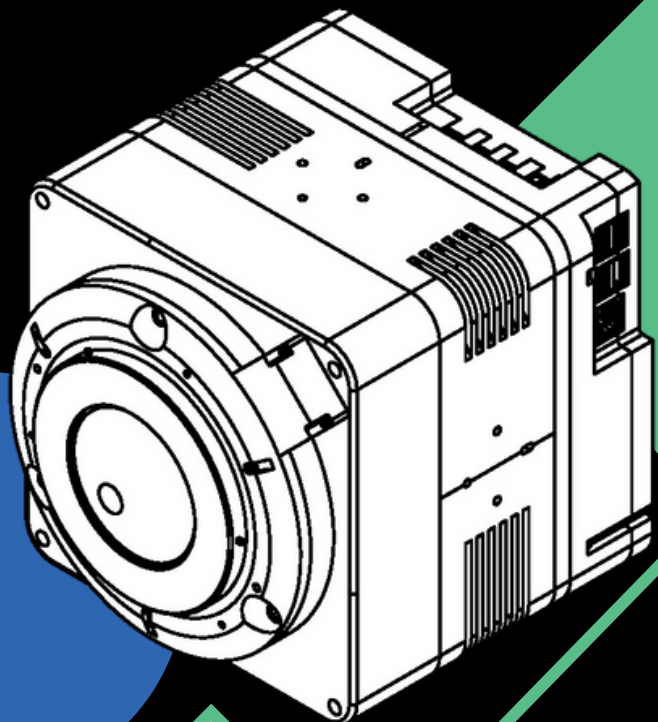
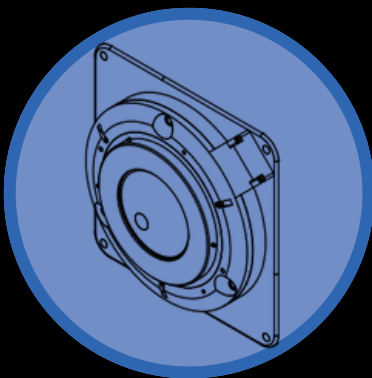
Cubex comes with a simple web user interface available through web browser.

Dedicated API is also provided to allow customer's own programming.



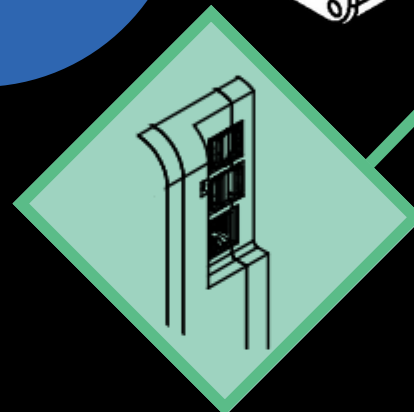
TAKT TIME

Full Map in less than 5 seconds



COMPACT

Easy Implementation
Perfectly adapted to mass production



PRELIMINARY SPECIFICATIONS

SPECIFICATIONS SUBJECT TO CHANGE WITHOUT NOTICE

CUBEX

		CUBEX-150	CUBEX-500
TECHNOLOGY		Multi-spectral angular mapping	
WAVELENGTH		400-700 nm	
VIEWING ANGLE	Incident Angle Azimuth Angle	±60° 0-360°	±80° 0-360°
WORKING DISTANCE		10.8 mm*	3.683 mm*
SPOT SIZE		12 mm	8 mm
ON AXIS SPECTROMETER	Definition Resolution	2 nm 10 nm	
PERFORMANCES	Angular map resolution Angular Accuracy Luminance Range	1° 0,1° 0.1 - 50 000 cd/m2	
INSTALLATION SETUP	Proximity sensor Setup accuracy	3 TOF sensors** 0.5° tip & tilt accuracy	
ACCURACY ON AXIS	Luminance Accuracy Luminance Repeatability Chromaticity (x, y) Accuracy Chromaticity (x, y) Repeatability	±2% *** ±0.5% for one measure**** ±0.003 *** ±0.001	
ACCURACY OF SENSORS	Luminance Accuracy Luminance Repeatability Chromaticity (x, y) Accuracy Chromaticity (x, y) Repeatability	±3% ±1% ±0.005 ±0.001	
TAKT TIME	Measurement (full map)	< 5s typical	
USING CONDITIONS	Temperature range Humidity range Weight Outer Dimension (L x W x H)	+10°C to +40°C 0-85% non condensing 6.45 kg 172mm x 172mm x 187mm	+10°C to +40°C 0-85% non condensing 6.4 kg 172mm x 172mm x 166mm
CONNECTIVITY	Data transfer	Ethernet 1Gbit/s (RJ45 cable) 4 USB ports 2 Micro HDMI ports 1 USB-C port with 5V power 70W (Current Consumption)	

*Contact ELDIM for Working Distance with protective cover sheets.

**See Measure Position CubeX

***With illuminant LED type.

****Luminance repeatability can be improved if multiple measurement.

ELD-REV24.4