

Dense Wavelength Division Multiplexer (GK-BPDWDM Series)

● Description

The Dense Wavelength Division Multiplexer series is designed and manufactured to vehicle standard. The devices use environmentally stable thin film filter and advanced packaging technology to achieve wide passband, low insertion loss, high channel isolation and excellent environmental stability. They can be used to perform single channel add or drop function.

● Key Features

- Low Insertion Loss
- High Power
- High Reliability

● Applications

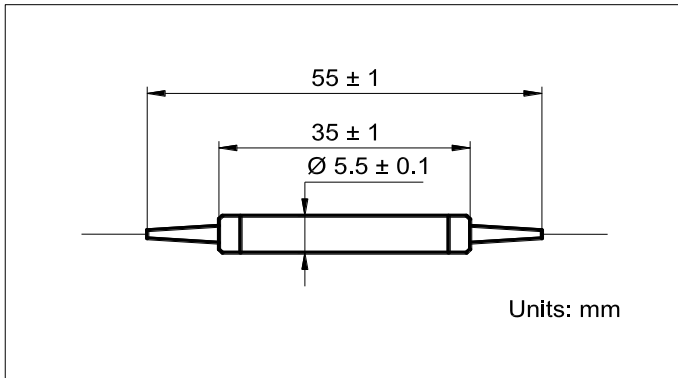
EDFAs Systems Raman Amplifiers Vehicle Application

● Specifications

Parameter	Unit	Type A
Filter Type	-	100 GHz 200 GHz
Pass Band		
Center Wavelength	nm	ITU Grid
Min. Bandwidth @ 0.5 dB	nm	0.22 0.5
Max. Insertion Loss	dB	0.8
Min. Channel Isolation	dB	25
Max. Polarization Dependent Loss	dB	0.1
Min. Return Loss	dB	50
Center Wavelength Stability	nm/°C	0.002
Thermal Stability	dB/°C	0.005
Max. Optical Power (Continuous Wave)	W	3
Max. Peak Power for ns pulse	kW	10
Max. Tensile Load	N	5
Operating Temperature	°C	- 40 to + 105
Storage Temperature	°C	- 40 to + 125

¹IL is 0.3 dB higher, RL is 5 dB lower for each connector added.

● Package Dimensions



● Ordering Information

GK-DWDM-①-②-③-④-⑤

①: Channel Spacing

- 1 - 100 GHz
- 2 - 200 GHz

②: ITU Grid

③: Connector Type

N - None

④: Fiber Type

- B - 250 μm Bare
- Fiber S - Specify

⑤: Fiber Length

- 1 - 1.0 m
- S - Specify