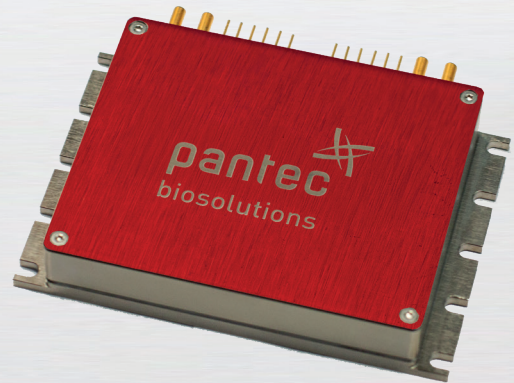


High Brightness Diode Laser Module

single frequency
Tapered Laser Diodes

- High brightness (spatial & spectral)
- High power
- Spectrally stabilized
- CW/Microsecond pulses
- Gaussian beam profile



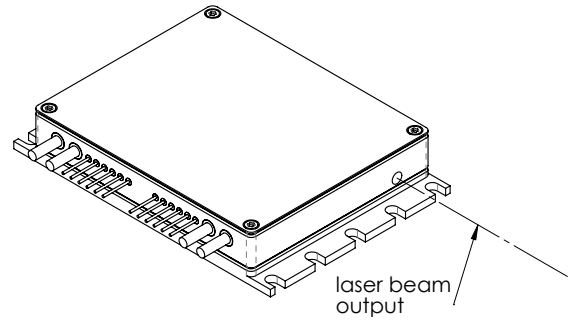
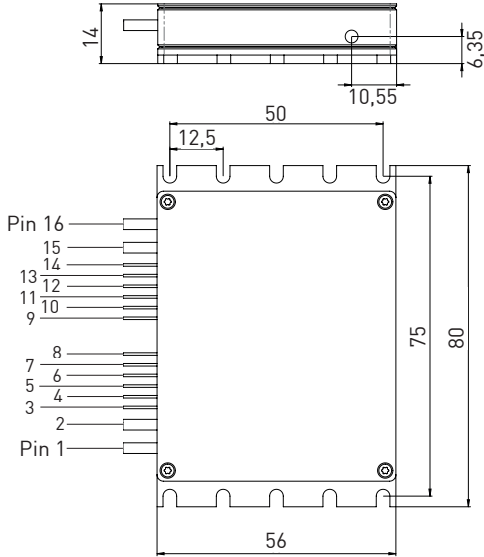
Specifications

	DLM-6 (NIR)	DLM-12 (NIR)
Optical Parameters		
• Wavelength	~ 980 nm	~ 980 nm
• Output Power (max)	6 W	12 W
• Pulse Duration	50 μ s - CW	50 μ s - CW
• Duty Cycle	[0 - 100] %	[0 - 100] %
• Mode of Operation	CW & Pulsed	CW & Pulsed
• Spectral Width (FWHM)	< 1 nm	< 1 nm
• M ² Factor	< 2	< 2
• Polarization	Linear	Random
• Beam Diameter	< 1 mm	< 1 mm
Electrical Parameters (with optional Tapered Laser Diode Driver)		
• Input Voltage	12 V	12 V
• Input Current	< 2.5 A	< 5 A
Mechanical Dimensions		
• Dimension (W x D x H)	~ (80 x 65 x 15) mm ³	~ (80 x 65 x 15) mm ³
• Weight	~ 250 g	~ 250 g
Thermal Parameters		
• Operating Temperature	(15 - 30) °C	(15 - 30) °C
• Heat Sink Capacity	15 W	30 W
Interface		
• Communication	RS232 / Mini USB	RS232 / Mini USB
• Emergency Stop	Potential free / dual	Potential free / dual
• Current Monitor	Analog [0 - 4] V	Analog [0 - 4] V
• Trigger In / Out	TTL 5 V	TTL 5 V
• Current Set	Analog [0 - 4] V	Analog [0 - 4] V
Operation Data		
• Long-term Power Stability	10'000 h	10'000 h



single frequency

Tapered Laser Diodes



Typical spectral properties in CW operation

Spectral drift (typical):	
$d\lambda/dT$	0.08 nm/K
$d\lambda/dI_{TP}$	0.08 nm/A
$d\lambda/dI_{RW}$	1 pm/mA

Tuning range with integrated DBR heaters	2 nm
--	------

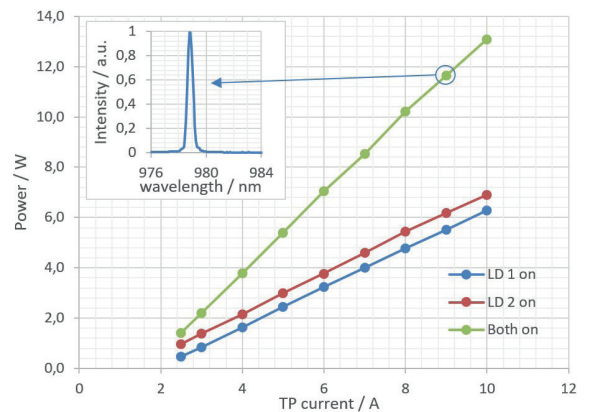
Typical spatial beam characteristics in CW operation at the operating point

Collimated output beam (typical)	
Beam waist diameter ($1/e^2$) [mm]	0.8
Beam full divergence ($1/e^2$) [mrad]	2.0
M^2 ($1/e^2$)	<1.5

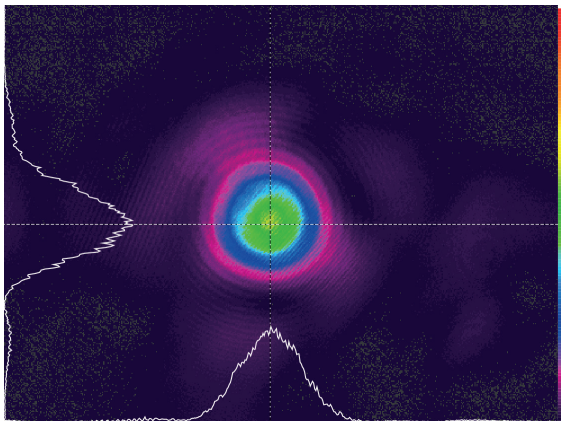
Typical power-current characteristics in CW operation

$I_{TP1/2}$ [A]	LD 1 on P [W]	LD 2 on P [W]	Both on P [W]
2.5	0.6	0.9	1.5
3.0	1.0	1.3	2.2
4.0	1.7	2.1	3.9
5.0	2.5	3.0	5.5
6.0	3.3	3.9	7.1
7.0	4.1	4.7	8.7
8.0	4.8	5.5	10.3
8.5	5.2	6.0	11.0
9.0	5.6	6.2	11.8
10.0	6.4	7.0	13.2

Power measurement



Beam waist profile (typical)



Long-term power stability

