

illunis EMC-250-CL

Rolling shutter CMOS 250Mpix
19,568 X 12,588 10bit at 2.6fps



The **EMC-250** is a small, light weight camera with industry standard interfaces. A native connection to the EPIX mf2280 M.2 capture card provides an extremely simple and compact solution for embedded systems. By replacing the standard camera link capture cards and cables with a M.2 card, super high resolution embedded systems and drones are possible. In addition standard camera link is available.

The **EMC-250** offers data rates up to 1370 megabytes per second and support for all camera link modes. The PIXCI® mf2280 camera link frame grabber uses internal M.2M 2280 slots in small computer systems. Space constraints typically require routing of cables to a side of the case or to a nearby camera. COTS Samtec HLCD flexible cables are used to facilitate routing.

The **EMC** family supports all illunis EMC+mf2280 enabled cameras including, 51, 65, 103, 250 Megapixels. Custom versions available (Please Call).

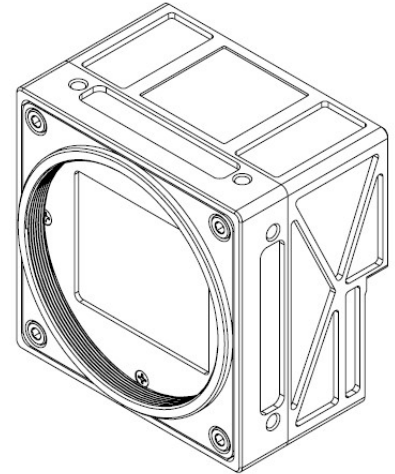
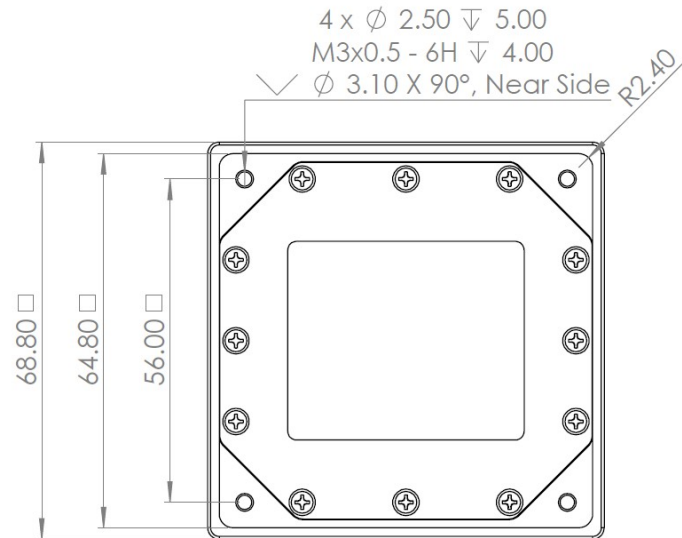
EMC-250 Highlights:

- Host data connection is PCIe Gen2x4 M.2 M 2280 slot or Camera Link
- Light weight design (EMC-103 is ~210 grams without lens)
- 64-bit memory addressing with 1370 megabyte/sec maximum sustained data transfer
- XCAP-Lite image capture, display, and save program included
- Capture video to computer memory with XCAP-LTD
- Stream video to disk with XCAP-STD
- XCLIB programmer libraries for frame grabber and camera control
- PXIPL image processing, measurement, and analysis libraries
- Compatible with 32-bit & 64-bit Windows 11, 10, 8, 7, Vista, XP, 2000, LINUX. Also TWAIN and Image-Pro Compatible.

EMC-CL and mf2280 Specifications

Sensor	EMC-250 19568x12588 250Mpix Pixel 1.5umx 1.5um
Light Weight	EMC without lens mount ~ 210 grams F-Mount 65 grams, EF-Mount 170 grams
M.2 Architecture	PCIe Gen2x4 M.2 2280 slot
System Memory	64-bit memory addressing
Data Rate	Up to 1370 megabyte per second sustained data transfer
Software Interface	XCAP-Lite image capture, display, and save program included
OS Supported	Windows & Linux, 32 & 64-bit
Other interfaces	Standard HDR camera link The PIXCI® mf2280 works with Thunderbolt M.2 adapters
CL Modes	Base/Medium/Full/80-Bit mode
Internet link for mf2280 capture card.	https://www.epixinc.com/products/pixci_mf2280.htm
Daisy chain	Up to 16 EMC cameras of any resolution. Use EMIX CL Adapter to include one, third party Camera link camera.
Illunis Sample Software for Jetson Linux.	Capture images, Save to SSD, De-Bayer, JPEG compression, GPU Operations
Illunis control application	Windows 10, 64bit and SDK
Data Cable	COTS Samtec HLCD HLCD-20-XX.00-TR-TR-1 Where XX = length in inches
Camera Power : Separate from mf2280	7-12VDC at 6.5W typical Reverse power protected
Operating Temperature	-30 to +70 C (TBD)

Dimensions



Software

All illunis cameras come with our free camera control software, which allows interactive setup of all camera parameters.

Applications

- Machine vision
- Medical imaging
- Packaging & inspection
- Scientific research
- Security
- Wide area surveillance

illunis specializes in custom OEM camera designs

illunis, LLC
14700 Excelsior Blvd.
Mnetonka, MN 55345
USA

Phone: 952.975.9203
Fax: 952.294.8308
email: info@illunis.com
web: www.illunis.com

