



Filter Wavelength Division Multiplexer (GK-FWDM Series)

● Description

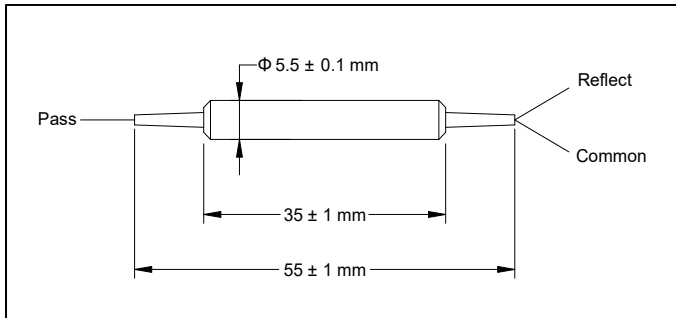
The Filter Wavelength Division Multiplexer is based on environmentally stable thin-film filter technology. The devices combine or separate light at different wavelength in a wide wavelength range. They offer very low insertion loss, low polarization dependence, high isolation and excellent environmental stability. High power handling capability can be achieved through unique pigtail processing and high quality AR coating. These components have been extensively used in EDFAs, Raman amplifiers, WDM networks and fiber optical instruments.

● Specifications

Parameter	Unit	Value
Pass Band Wavelength Range	nm	980 ± 10
Max. Insertion Loss	dB	0.7
Min. Isolation	dB	25
Reflection Band Wavelength Range	nm	1060 ± 40
Max. Insertion Loss	dB	0.6
Min. Isolation	dB	12
Min. Return Loss	dB	50
Max. Polarization Dependent Loss	dB	0.1
Thermal Stability	dB/°C	0.005
Max. Optical Power (Continuous Wave)	mW	300
Max. Tensile Load	N	5
Fiber Type	-	HI 1060 Fiber
Operating Temperature	°C	- 5 to + 70
Storage Temperature	°C	- 40 to + 85

¹IL is 0.5 dB higher, RL is 5 dB lower for each connector added.

● Package Dimensions



● Ordering Information

GK-FWDM-①-②-③-④

①: Wavelength

9806 - 980 Pass/1060 Reflect

SSSS - Specify

②: Connector Type

1 - FC/UPC

2 - FC/APC

3 - SC/UPC

4 - SC/APC

N - None

S - Specify

③: Fiber Jacket

B - 250 μ m Bare Fiber

L - 900 μ m Loose Tube

S - Specify

④: Fiber Length

1 - 1.0 m

S - Specify