

## Fixed Focus Collimator (EFL=12,780nm)

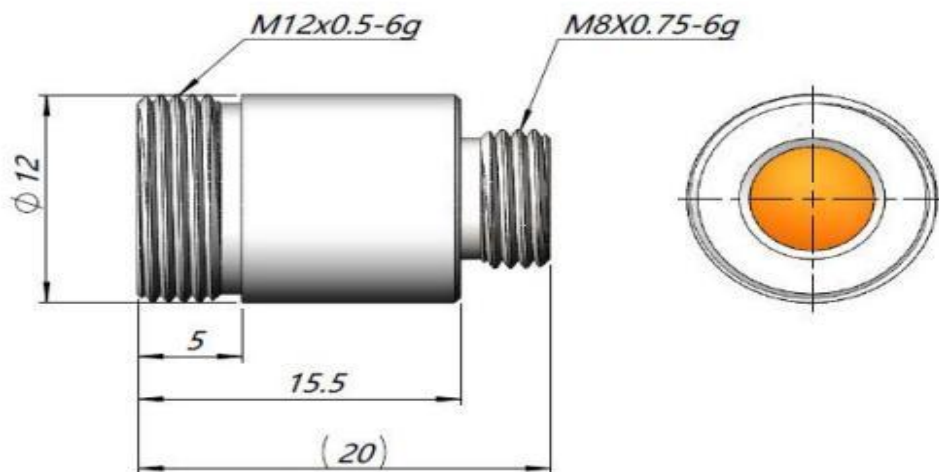
P/N: FFL-780-2.59-12-FA

### 1. Technical index:

| Parameter                  | Unit | Value                         |
|----------------------------|------|-------------------------------|
| Center Wavelength          | nm   | 780                           |
| Single Insertion Loss      | dB   | ≤0.5                          |
| Beam waist spot diameter   | mm   | 2.59±0.2                      |
| Return loss                | dB   | ≥55 (Design guaranteed)       |
| Working distance           | mm   | 0~500                         |
| Divergence full angle      | mrad | 0.38±0.04                     |
| Focal distance             | mm   | 12                            |
| Maximum Optical Power (CW) | mW   | 100                           |
| Dimensions                 | mm   | φ12*L15.5 (sleeve dimensions) |
| Fiber type                 |      | 780-HP(Single Mode Fiber)     |
| Connector type             |      | FC/APC                        |

Note: The above data is calculated theoretically. The actual production shall prevail.  
 The default delivery does not have jumpers

### 2. Package and optical path diagram: (Unit:mm)



### 3. Order Information:

FFL-①-②-③-④

| Product                | Code | ① Center wavelength                   | ② Beam Diameter                       | ③ Focus Length                | ④ Connector                     |
|------------------------|------|---------------------------------------|---------------------------------------|-------------------------------|---------------------------------|
| Fixed Focus Collimator | FFL  | 780-780nm<br>1064-1064nm<br>S-Specify | 1.38-1.38mm<br>2.4-2.4mm<br>S-Specify | 8-8mm<br>12-12mm<br>S-Specify | N-None<br>FU-FC/PC<br>FA-FC/APC |