



Add:Room 402, No.1277, No. 95, Fushan Y Lu, The Economic Development Area of Xiaolan, Nanchang, Jiangxi, China

Email:sales2@opticaltable.cn

Whatsapp:+86 166 7900 3060

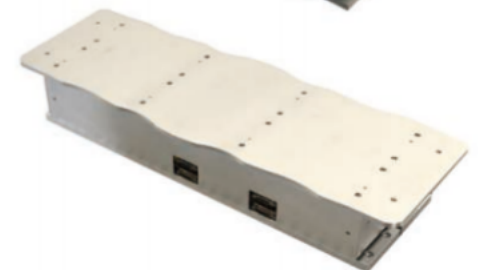


**JIANGXI LIANSHENG**

Precision vibration solution  
Since 2000

## ***Precision Vibration Isolation***

***Jiangxi Liansheng Technology Co., Ltd.***





# CONTENTS

About us	3	High Density Honeycomb Core Optical Breadboard---MOT-F Series	23
High Rigidity Optical Table---GZT Series	5	Granite Plate Optical Breadboard---MOT-S Series	26
Solid Vibration Isolation Damping Optical Table---POT-P Series	7	Non-magnetic Optical Breadboard---MOT-W Series	28
Solid Vibration Isolation Damping Optical Tablewith Hollow Cone structure Isolators---POT-G Series	9	Aluminum Optical Breadboard---MOT-L Series	31
Pneumatic Air Spring Vibration Isolation Optical Table---ZDT-P Series	11	Optical Breadboard with Special Mounting Holes---MOT-K Series	32
Pneumatic Air Spring Vibration Isolation Optical Table with Pendulum Rod---ZDT-B Series	13	Coupled Optical Breadboard---MOT-Y Series	32
Optical Tables with Comprehensive Accessories---ZH Series	15	Solid Vibration isolation Rubber Pads---POT-X Series	33
Table Top Optical Table with Built-in Air Springs---ZGT Series	17	Solid Vibration isolation Damping Isolator---POT-P Series	35
Active Vibration Isolating Optical Table---TA600	19	Solid Vibration Isolation Damping Isolator with Hollow Cone Structure ---POT-G Series	36
Active Vibration Isolation System---VCM Series	21	Pneumatic Auto-balancing & Self -Centering Isolator ---ZDT-P Series	37
		Pneumatic Air Spring Vibration Isolator with Pendulum Rod ---ZDT-B Series	39
		Damping Adjustable Vibration Isolator---ZDT-J Series	41
		Technical Solution Examples.....	43



## ◀ About Us

Jiangxi Liansheng Technology Company Limited is a professional developer and manufacturer of vibration isolation optical tables as well as other opto-mechanic products.

Situated in Nanchang, Jiangxi Province, Jiangxi Liansheng is a state certified high-tech enterprise with independent intelligent properties and various patents in the precision vibration isolation field. Jiangxi Liansheng has devoted itself to the high precision vibration isolation products researching and development for more than 16 years. We have an experienced R&D team that not only develops advanced and reliable vibration isolation products, but also provides customized vibration isolation solutions.

We always keep our products to be technically advanced with reliable quality, as the way to meet the individual needs of our customers, which is our top priority. We have implemented modernized production lines, established a standardized product testing scheme and gained world-wide quality reputations as well as taken a sophisticated marketing strategy. Jiangxi Liansheng has also created a humanized working and living environment for its employees. Our quality management system has been certified according to ISO9001:2000.

Apart from our standard vibration isolation optical tables, as a leading and pioneer individual vibration isolation solution provider, Jiangxi Liansheng has also been the main manufacturer of large size optical tables with special requirements for various applications both in the Chinese domestic and overseas markets. Our newly implemented product line has a capacity of manufacturing a single piece of honeycomb optical breadboard of the max dimension of 8x2 meters, which is second to none around the world.





## GZT Series

### High Rigidity Optical Table

#### PRODUCT FEATURES:

- Vibration isolation damping optical breadboard for surface resonance elimination
- High density honeycomb core structure breadboard
- Clean top with sealed cups
- Manual leveling adjustment
- Optional ordering for castors



With high density honeycomb core structure or superconducting magnetic optical surface plates, GZT Series optical tables have top rigidity and high stability. The rigid support system needs almost zero maintenance during its long lasting service life.

#### APPLICATIONS:

- Optical target experiment for long distance light targeting
- Optical devices that does not have a high requirement for vibration isolation performance

#### TECHNICAL SPECIFICATIONS:

Leveling Type	Manual
Total Table Height	800mm
Breadboard Surface Flatness	≤0.05mm/m <sup>2</sup>
Breadboard Surface Roughness	≤0.8μm, matt surface finish
Isolator Height Adjustment Range	±10mm



Model	Dimension(mm)	Height(mm)	Load Capacity(Kg)
GZT09-06	900×600	800	<135
GZT10-08	1000×800	800	<200
GZT12-09	1200×900	800	<270
GZT15-10	1500×1000	800	<375
GZT18-10	1800×1000	800	<450
GZT20-10	2000×1000	800	<500
GZT12-12	1200×1200	800	<360
GZT15-12	1500×1200	800	<450
GZT18-12	1800×1200	800	<540
GZT20-12	2000×1200	800	<600
GZT24-12	2400×1200	800	<720
GZT30-12	3000×1200	800	<900
GZT15-15	1500×1500	800	<560
GZT18-15	1800×1500	800	<675
GZT20-15	2000×1500	800	<750
GZT24-15	2400×1500	800	<900
GZT30-15	3000×1500	800	<1125



# POT-P Series

## Solid Vibration Isolation Damping Optical Table

### PRODUCT FEATURES:

- Vibration isolation damping optical breadboard for surface resonance elimination
- High density honeycomb core structure breadboard
- Clean top with sealed cups
- Manual leveling adjustment
- Optional ordering for castors



The table top utilizes high density honeycomb core structure with superconducting magnetic optical surface plates. The isolating structure of POT-P uses multi layers of compound vibration damping rubber pads. POT-P series optical tables are of high stable structure and reliable vibration isolation efficiency, while at the same time has no demand for maintenance at all during its long lasting service life.

### APPLICATIONS:

- Optical microscopes, Bio-medical applications
- Optical path testing and optical manufacturing
- Other Optical devices that does not have a high requirement for vibration isolation performance

### TECHNICAL SPECIFICATIONS:

Inherent Frequency	6.5-12Hz, vertically; 3.0-8.0Hz, horizontally
Vibration Isolation Structure	Compound rubber pads
Leveling Type	Manual
Total Table Height	800mm
Breadboard Surface Roughness	≤0.05mm/m <sup>2</sup>
Isolator Height Adjustment Range	≤0.8μm, matt surface finish
Isolator Height Adjustment Range	±10mm

Model	Dimension(mm)	Height(mm)	Load Capacity(Kg)
POT-P09-06	900×600	800	<135
POT-P10-08	1000×800	800	<200
POT-P12-09	1200×900	800	<270
POT-P15-10	1500×1000	800	<375
POT-P18-10	1800×1000	800	<450
POT-P20-10	2000×1000	800	<500
POT-P12-12	1200×1200	800	<360
POT-P15-12	1500×1200	800	<450
POT-P18-12	1800×1200	800	<540
POT-P20-12	2000×1200	800	<600
POT-P24-12	2400×1200	800	<720
POT-P30-12	3000×1200	800	<900
POT-P15-15	1500×1500	800	<560
POT-P18-15	1800×1500	800	<675
POT-P20-15	2000×1500	800	<750
POT-P24-15	2400×1500	800	<900
POT-P30-15	3000×1500	800	<1125



# POT-G Series

## Solid Vibration Isolation Damping Optical Table with Hollow Cone structure Isolators

### PRODUCT FEATURES:

- Vibration isolation damping optical breadboard for surface resonance elimination
- High density honeycomb core structure breadboard
- Clean top with sealed cups
- Manual leveling adjustment
- Optional ordering for castors



High density honeycomb core structure optical breadboard with superconducting magnetic optical surface plates with high rigidity and stability. The isolators use high quality compound isolation damping materials with vibration isolation efficiency that is almost equal to air spring pneumatic isolators while requires less maintenance than the latter.

### APPLICATIONS:

- High precision optical microscopes, bio-medical applications
- Optical path testing and optical manufacturing
- Laser scanning and interferometers
- Holographic interferometry and integrated electronics
- Other Optical devices that have a fairly high requirement for vibration isolation performance

### TECHNICAL SPECIFICATIONS:

Inherent Frequency	4~8Hz, vertically; 2~4Hz, horizontally
Vibration Isolation Structure	Hollow cone rubber structure
Leveling Type	Manual
Total Table Height	800mm
Breadboard Surface Roughness	≤0.05mm/m <sup>2</sup>
Isolator Height Adjustment Range	≤0.8μm, matt surface finish
Isolator Height Adjustment Range	±10mm

Model	Dimension(mm)	Height(mm)	Load Capacity(Kg)
POT-G09-06	900×600	800	<135
POT-G10-08	1000×800	800	<200
POT-G12-09	1200×900	800	<270
POT-G15-10	1500×1000	800	<375
POT-G18-10	1800×1000	800	<450
POT-G20-10	2000×1000	800	<500
POT-G12-12	1200×1200	800	<360
POT-G15-12	1500×1200	800	<450
POT-G18-12	1800×1200	800	<540
POT-G20-12	2000×1200	800	<600
POT-G24-12	2400×1200	800	<720
POT-G30-12	3000×1200	800	<900
POT-G15-15	1500×1500	800	<560
POT-G18-15	1800×1500	800	<675
POT-G20-15	2000×1500	800	<750
POT-G24-15	2400×1500	800	<900
POT-G30-15	3000×1500	800	<1125



# ZDT-P Series

## Pneumatic Air Spring Vibration Isolation Optical Table



### PRODUCT FEATURES:

- Vibration isolation damping optical breadboard for surface resonance elimination
- High density honeycomb core structure breadboard
- Clean top with sealed cups
- Automatic self leveling
- Optional ordering for Castors

The ZDT-P type pneumatic isolators adopt ultra thin air springs with self developed compound rubber, integrated with porous quasi-laminar flow damping element with diffuser. The isolators provide excellent vibration isolation efficiency as well with high stable performance. The air spring isolators also feature auto leveling and inflating characteristics. The critical components of the pneumatic system are made by FESTO. The silent air compressor needs to be ordered separately.

### APPLICATIONS:

- High precision optical microscopes, bio-medical applications
- Optical path testing and measurement
- Laser scanning and interferometers
- Spectrometers and high precision measuring
- Integrated electronics and other optical devices that require for high vibration isolation performance

### TECHNICAL SPECIFICATIONS:

Inherent Frequency	1.0-2.0Hz, vertically; 1.0-2.0Hz, horizontally
Vibration Isolation Structure	Ultra thin air springs
Leveling Type	Automatic
Vibration Damping Type	Porous quasi-laminar flow damping element with diffuser
Total Table Height	800mm
Working Air Pressure	0.2-0.4MPa
Compressed Air Source	Silent compressor (noise level) <50dB
Vibration Isolating Efficiency	82~88%@5Hz, 86~95%@10Hz, vertically 78~86%@5Hz, 84~92%@10Hz, horizontally
Re-leveling Accuracy	±0.1mm
Table Top Flatness	≤0.05mm/m <sup>2</sup>
Surfaced Roughness	≤0.8μm, matt surface finish
Isolator Height Adjustment Range	±10mm

Model	Dimension(mm)	Inherent Frequency	Height(mm)	Load capacity (Kg)
ZDT-P09-06	900×600	Vertical:2.0Hz Horizontal:2.0Hz	800	<135
ZDT-P10-08	1000×800	Vertical:2.0Hz Horizontal:2.0Hz	800	<200
ZDT-P12-09	1200×900	Vertical:2.0Hz Horizontal:2.0Hz	800	<270
ZDT-P15-10	1500×1000	Vertical:2.0Hz Horizontal:2.0Hz	800	<375
ZDT-P18-10	1800×1000	Vertical:1.8Hz Horizontal:2.0Hz	800	<450
ZDT-P20-10	2000×1000	Vertical:1.8Hz Horizontal:1.8Hz	800	<500
ZDT-P12-12	1200×1200	Vertical:2.0Hz Horizontal:2.0Hz	800	<360
ZDT-P15-12	1500×1200	Vertical:2.0Hz Horizontal:2.0Hz	800	<450
ZDT-P18-12	1800×1200	Vertical:1.8Hz Horizontal:1.8Hz	800	<540
ZDT-P20-12	2000×1200	Vertical:1.8Hz Horizontal:1.8Hz	800	<600
ZDT-P24-12	2400×1200	Vertical:1.5Hz Horizontal:1.8Hz	800	<720
ZDT-P30-12	3000×1200	Vertical:1.5Hz Horizontal:1.8Hz	800	<900
ZDT-P35-12	3500×1200	Vertical:1.5Hz Horizontal:1.8Hz	800	<1050
ZDT-P40-12	4000×1200	Vertical:1.2Hz Horizontal:1.8Hz	800	<1200
ZDT-P50-12	5000×1200	Vertical:1.2Hz Horizontal:1.5Hz	800	<1500
ZDT-P60-12	6000×1200	Vertical:1.2Hz Horizontal:1.5Hz	800	<2000



# ZDT-B Series

## Pneumatic Air Spring Vibration Isolation Optical Table with Pendulum Rod

### PRODUCT FEATURES:

- Vibration isolation damping optical breadboard for surface resonance elimination
- High density honeycomb core structure breadboard
- Automatic self leveling
- Clean top with sealed cups
- Extra low inherent frequency in horizontal direction



With the innovated design of the pendulum rod structure, the ZDT-B type pneumatic isolators can achieve much lower inherent frequency in horizontal direction and better load capacity, compared with other conventional pneumatic air spring vibration isolators. In fact the innovated design and technology of pendulum rod has been granted as the state level innovation patent. The critical components of the pneumatic system are made by FESTO. The silent air compressor needs to be ordered separately.

### APPLICATIONS:

- High precision optical microscopes, Bio-medical applications
- Optical path testing and measurement
- Laser scanning and interferometers
- Spectrometers and high precision measuring
- Integrated electronics and other optical devices or experiment that requires for very high vibration isolation performance

### TECHNICAL SPECIFICATIONS:

Inherent Frequency	1.0-2.0Hz, vertically; 1.0-1.5Hz, horizontally
Vibration Isolation Structure	Air springs & pendulum rod
Leveling Type	Automatic
Vibration Damping Type	Porous quasi-laminar flow damping element with diffuser
Total Table Height	800mm
Working Air Pressure	0.2-0.4MPa
Compressed Air Source	Silent compressor (noise level) <50dB
Vibration Isolating Efficiency	86~92%@5Hz, 90~95%@10Hz, vertically 84~94%@5Hz, 92~98%@10Hz, horizontally
Re-leveling Accuracy	±0.1mm
Table Top Flatness	≤0.05mm/m <sup>2</sup>
Surfaced Roughness	≤0.8μm, matt surface finish
Isolator Height Adjustment Range	±10mm

Model	Dimension(mm)	Inherent Frequency	Height(mm)	Load capacity (Kg)
ZDT-B09-06	900×600	Vertical:2.0Hz Horizontal:2.0Hz	800	<135
ZDT-B10-08	1000×800	Vertical:2.0Hz Horizontal:2.0Hz	800	<200
ZDT-B12-09	1200×900	Vertical:2.0Hz Horizontal:2.0Hz	800	<270
ZDT-B15-10	1500×1000	Vertical:2.0Hz Horizontal:2.0Hz	800	<375
ZDT-B18-10	1800×1000	Vertical:1.8Hz Horizontal:2.0Hz	800	<450
ZDT-B20-10	2000×1000	Vertical:1.8Hz Horizontal:1.8Hz	800	<500
ZDT-B12-12	1200×1200	Vertical:2.0Hz Horizontal:2.0Hz	800	<360
ZDT-B15-12	1500×1200	Vertical:2.0Hz Horizontal:2.0Hz	800	<450
ZDT-B18-12	1800×1200	Vertical:1.8Hz Horizontal:1.8Hz	800	<540
ZDT-B20-12	2000×1200	Vertical:1.8Hz Horizontal:1.8Hz	800	<600
ZDT-B24-12	2400×1200	Vertical:1.5Hz Horizontal:1.8Hz	800	<720
ZDT-B30-12	3000×1200	Vertical:1.5Hz Horizontal:1.8Hz	800	<900
ZDT-B35-12	3500×1200	Vertical:1.5Hz Horizontal:1.8Hz	800	<1050
ZDT-B40-12	4000×1200	Vertical:1.2Hz Horizontal:1.8Hz	800	<1200
ZDT-B50-12	5000×1200	Vertical:1.2Hz Horizontal:1.5Hz	800	<1500
ZDT-B60-12	6000×1200	Vertical:1.2Hz Horizontal:1.5Hz	800	<2000



## ZH Series

### Optical Tables with Comprehensive Accessories

#### PRODUCT FEATURES:

- All series optical tables can be upgraded to a comprehensive optical tables
- With the added accessories an normal optical table can perform as a space saving and convenient mini working station
- Specific accessories are optional for optical tables and individual demand



Optional Accessories including but not limited to the below items:

- Table shelves
- Arm-rest
- Bottom slide plate
- Side sliding plate
- Table enclosures
- Castors
- Other individual required or customized accessories

#### TECHNICAL SPECIFICATIONS:

Model	Dimension(mm)	Height(mm)	Load Capacity(Kg)
ZH 09-06	900×600	800	<135
ZH 10-08	1000×800	800	<200
ZH 12-09	1200×900	800	<270
ZH 15-10	1500×1000	800	<375
ZH 18-10	1800×1000	800	<450
ZH 20-10	2000×1000	800	<500
ZH 12-12	1200×1200	800	<360
ZH 15-12	1500×1200	800	<450
ZH 18-12	1800×1200	800	<540
ZH 20-12	2000×1200	800	<600
ZH 24-12	2400×1200	800	<720
ZH 30-12	3000×1200	800	<900
ZH 15-15	1500×1500	800	<560
ZH 18-15	1800×1500	800	<675
ZH 20-15	2000×1500	800	<750
ZH 24-15	2400×1500	800	<900
ZH 30-15	3000×1500	800	<1125



## ZGT Series

### Table Top Optical Table with Built-in Air Springs

#### PRODUCT FEATURES:

- Portable and easy for carrying, especially for placing microscopes and other optical experiment
- High density honey comb core aluminum top
- Self balancing with air spring
- Auto inflating & manual pumping modes
- Small and compact built, space saving and no worries for mounting

#### APPLICATIONS:

- Microscopes and electric microscopes
- Small size optical devices
- Roundness measurement Instruments
- Other devices that requires high vibration isolation efficiency

The ZGT desk top optical table is made of hard aluminum alloy with built-in ultra thin air spring isolators. The air system uses German FESTO products with both auto and manual pumping modes. With compact structure, the breadboard and the honeycomb core are integrated built with outstanding features of light weight and high rigidity.



Air compressor



#### TECHNICAL SPECIFICATIONS:

Inherent Frequency	1.5-3.0Hz, vertically; 1.5-3.0Hz, horizontally
Vibration Isolation Structure	Ultra thin air springs
Leveling Type	Automatic
Vibration Damping Type	Porous quasi-laminar flow damping element with diffuser
Compressed Air Source	0.2~0.4MPa
Dimensions	600mm×500mm×75mm 800mm×600mm×97mm
Net Weight& Load Capacity	25kg, 10kg-50kg; 44kg, 20kg-100kg;
Re-leveling Accuracy	±0.1mm
Table Top Flatness	≤0.05mm/m <sup>2</sup>
Surfaced Roughness	≤0.8μm, matt surface finish



# TA600

## Active Vibration Isolating Optical Table



TA600 active vibration isolating optical is made of high strength aluminum alloy with honeycomb core structure. It consists of high precision voice coil actuators, Hall height sensors and control module, acceleration sensors, high precision signal filters and high speed control system.

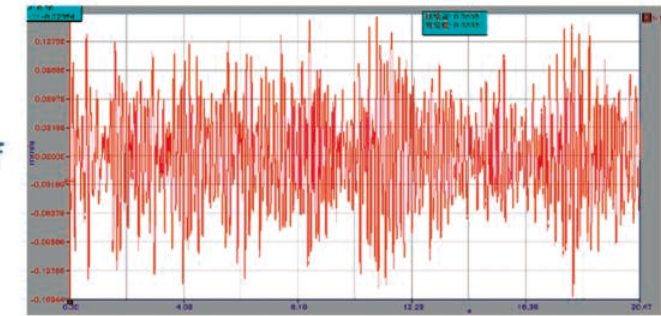


A number of 8 accelerate transducers pick up (detect and collect) the the signals from 6 DOF when the optical table disturbed by the environment vibration. The signal will be amplified by the filter and sent to DSP controller via A/D converter. With accurate calculation, the voice coil actuators installed in 6 DOF will make a counter-force to damp the vibration. Excellent vibration isolation efficiency will be then achieved.

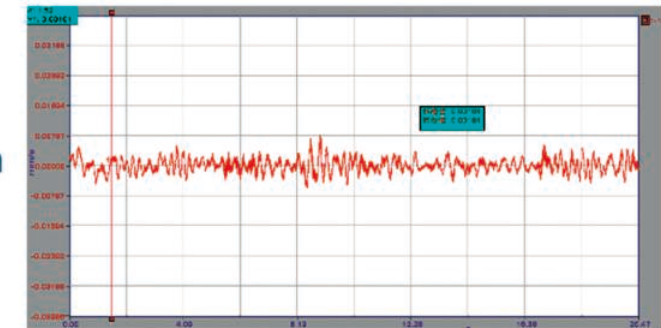
### APPLICATIONS:

- Microscopes and electric microscopes
- Small size optical devices
- Roundness measurement Instruments
- Other devices that requires high vibration isolation efficiency

Active vibration isolation off



Active vibration isolation on



### TECHNICAL SPECIFICATIONS:

Net weight	40kg
Dimension	600x500x100mm
Load capacity	10-120kg
Top plate	Aluminum Alloy
Power supply	220V, 50Hz
Power input	50W
Working temperature	15-40°C
Working condition	Placed on a platform with flatness better than 0.5mm/m <sup>2</sup>
Isolating frequency	0.7-200Hz
Vibration isolating direction	6 DOF, auto load capacity adjustment
Vibration isolating Efficiency	>5Hz 90%, >10Hz 95%



# VCM Series

## Active Vibration Isolation System

### PRODUCT FEATURES:

- Active vibration isolation from 1 - 200 Hz
- Passive isolation beyond 200 Hz
- Isolates in all six degrees of freedom
- Internal feedback loop
- Free combination as per load and dimension requirements



VCM-S400



VCM-D400



VCM-D600

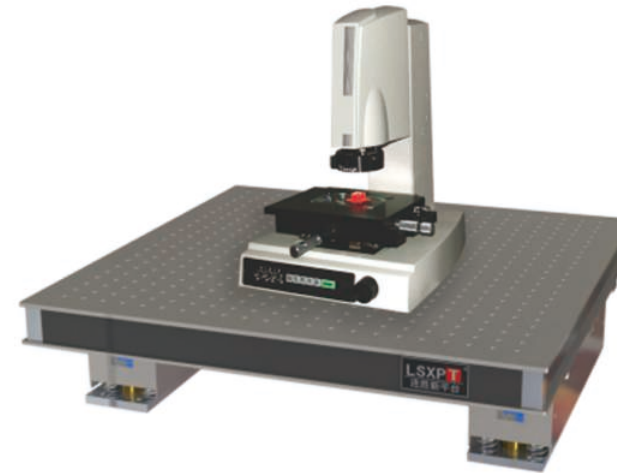
With Jiangxi Liansheng active vibration isolation VCM, sub-hertz vibration isolation performance can be achieved across all six degrees of freedom and it can provide 90% reduction at 5Hz, 95% reduction at 10Hz and above.

### APPLICATIONS:

- Scanning tunneling microscopy (AFM/LFM/STM)
- Interferometry
- Electron microscopy

### TECHNOLOGY:

The working principle of the active isolation technology within the VCM Series is that the piezoelectric vibration sensors collect and convert dynamic vibration energy into electrical signals. The signals are then transmitted to the voice coli actuators, which release a counter force to the surface plate with the same magnitude in the opposite direction to the vibration perturbation.



### EXAMPLE:

VCM-S400: Single module with length 400mm active vibration isolation system

VCM-D400: Double modules with length 400mm active vibration isolation system

VCM-D600: Double modules with length 600mm active vibration isolation system

VCM-D600H: Heavy load double modules with length 400mm active vibration isolation systems

Rated load capacity for one single module is 150kg. The load capacities for 400 and 600 models are the same.

### TECHNICAL SPECIFICATIONS:

Isolation range	1- 200Hz
Isolation Directions	all six degrees of freedom with internal feedback loop
Isolation Efficiency	>5Hz 90%, >10Hz 95%
Load Capacity	15-300Kg
	10-20 ms responsive time
Net weight	50kg (2 VCM-S400 modules & 1 control box)
Power Supply	Customizable
Power input	50W
Working temperature	5- 40°C
Base Requirement	Rigid platform with surface flatness better than 0.5mm/m <sup>2</sup>
Platform Dimension	(600x500mm - 800x1000mm)

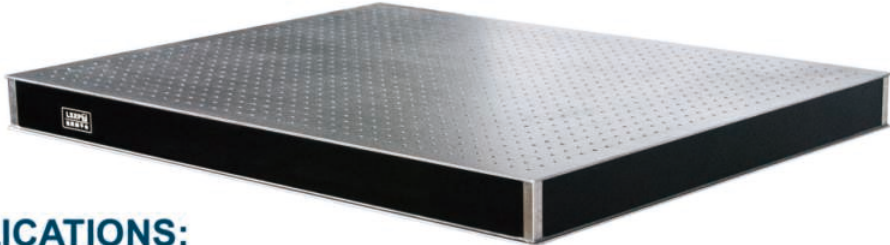


# MOT-F Series

## High Density Honeycomb Core Optical Breadboard

**PRODUCT FEATURES:**

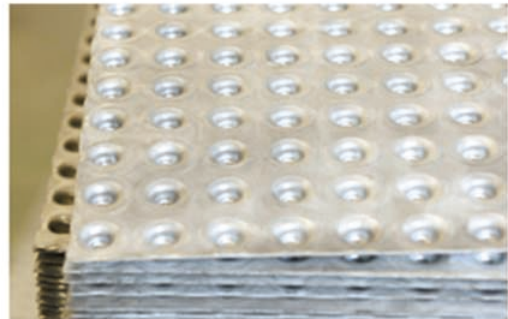
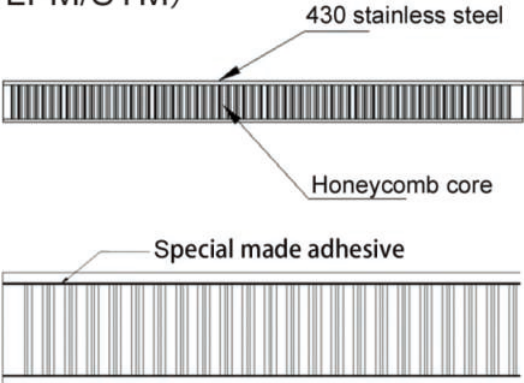
- Broad-band vibration damping top to eliminate surface synchronized vibrations
- Honeycomb core structure
- Clean top with sealed cups
- High density with lower self weight and high rigidity
- Long lasting service life without surface deflections due to residual stress
- Easy installation and simple to use without persistent maintenance



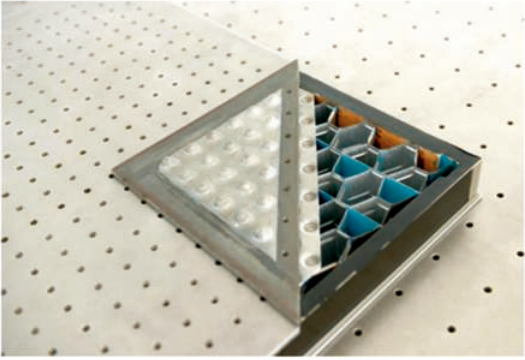
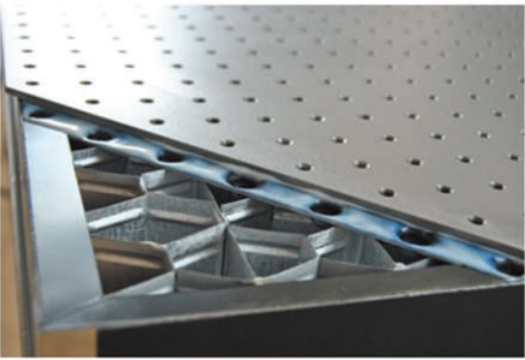
**APPLICATIONS:**

- Scanning tunneling microscopy (AFM/LFM/STM)
- Interferometry
- Electron microscopy

High density honeycomb core optical breadboard is widely applied in the scientific fields of optical experiments, medical researches, high precision devices manufacturing and testing as well as aviation labs etc. Its features of high rigidity and low self weight, providing a solid mounting platform for the experiments hence ensure the accuracy of the experiment applications. The breadboard is designed with a structure of top and bottom skins, honeycomb cores and sealed cups.

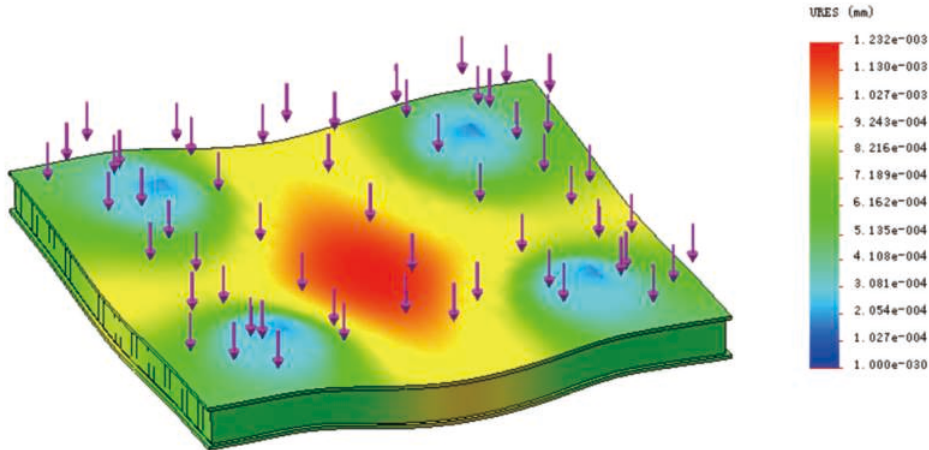


It is user friendly for the mounting of experiment devices. The top skin of the breadboard is made of highly conductive stainless steel(430), which prevents the breadboard from getting rusty. The sealed cups are made of stretching aluminum and they can effectively prevent the synchronized vibrations inside the breadboard, which may affect the accuracy of the experiments. Another advantage of the sealed cups is to prevent the dusts, liquids or other tiny accessories that may contaminate the breadboard dropping inside to the core of the breadboard. The overall honeycomb core design reduces the self weight of the breadboard while maximizes its rigidity.



**RIGIDITY ANALYSIS:**

With an MOT-F optical breadboard of dimension 600x600x50mm under the condition of 100kg load .





**TECHNICAL SPECIFICATIONS:**

Breadboard thickness	25mm, 50mm-300mm (e.g 50mm, 80mm, 100mm, 150mm...)
Surface plate	430 stainless steel, thickness: 5mm
Single Honeycomb Dimension	Min: 6.25×10 <sup>-4</sup> m <sup>2</sup> , Max: 1.25×10 <sup>-3</sup> m <sup>2</sup>
Damping Type	Broad-band
Honeycomb Core Density	250kg/m <sup>3</sup>
Mounting Holes Type	Metric M6 tapped @25mm×25mm grid, boarder edge: 37.5mm also customizable
Surface Flatness	≤0.05mm/m <sup>2</sup>
Surface Roughness	≤0.8μm, matt surface finish

Model	Dimension(mm)	Thickness	Hole Grid	Hole Type	Board to Edge
MOT-F06-045	600×450	50	25×25	M6	37.5×37.5
MOT-F06-06	600×600	50	25×25	M6	37.5×37.5
MOT-F09-06	900×600	80	25×25	M6	37.5×37.5
MOT-F075-075	750×750	80	25×25	M6	37.5×37.5
MOT-F10-08	1000×800	100	25×25	M6	37.5×37.5
MOT-F09-09	900×900	80	25×25	M6	37.5×37.5
MOT-F12-09	1200×900	100	25×25	M6	37.5×37.5
MOT-F15-10	1500×1000	150	25×25	M6	37.5×37.5
MOT-F18-10	1800×1000	150	25×25	M6	37.5×37.5
MOT-F20-10	2000×1000	150	25×25	M6	37.5×37.5
MOT-F12-12	1200×1200	100	25×25	M6	37.5×37.5
MOT-F15-12	1500×1200	150	25×25	M6	37.5×37.5
MOT-F18-12	1800×1200	200	25×25	M6	37.5×37.5
MOT-F20-12	2000×1200	200	25×25	M6	37.5×37.5
MOT-F24-12	2400×1200	200	25×25	M6	37.5×37.5
MOT-F30-12	3000×1200	250	25×25	M6	37.5×37.5
MOT-F35-12	3500×1200	250	25×25	M6	37.5×37.5

Customized dimensions are available upon request.

**MOT-S Series**  
Granite Plate Optical Breadboard

**PRODUCT FEATURES:**

- Natural material of Granite that has been formed with millions of years, with super reliability and high stability
- Good rigidity without deflection under working load
- Customized mounting holes ca be made upon request
- Long lasting service life without surface deflections due to residual stress



Granite surface plate breadboard is widely applied in the scientific fields of optical experiments, medical researches, high precision devices manufacturing and testing as well as aviation labs etc. Being naturally formed through a long time span of millions of years underground, the granite has a very stable structure without surface deflection under normal working temperature and load capacity. With the appearance of shinny blackness and homogeneous quality, it features high rigidity and hardness. It also with the nature of anti corrosive, non magnetic and risistance to scratch and wear.





**TECHNICAL SPECIFICATIONS:**

Specific Gravity	2970~3070 kg/m <sup>3</sup>
Compressive Strength	245~254 MPa
Elastic Modulus	1.27~1.47 GPa
Linear Expansion Coefficient	4.61x10 <sup>-6</sup> /°C
Water Absorptivity	<0.31%
Shore Hardness	>70Hs

Model	Dimension(mm)	Thickness(mm)	Theoretical Weight(Kg)
MOT-S06-045	600×450	50	40
MOT-S06-06	600×600	50	54
MOT-S09-06	900×600	80	130
MOT-S075-075	750×750	80	135
MOT-S10-08	1000×800	100	240
MOT-S09-09	900×900	80	195
MOT-S12-09	1200×900	100	326
MOT-S15-10	1500×1000	150	675
MOT-S18-10	1800×1000	150	810
MOT-S20-10	2000×1000	150	900
MOT-S12-12	1200×1200	100	435
MOT-S15-12	1500×1200	150	815
MOT-S18-12	1800×1200	200	1304
MOT-S20-12	2000×1200	200	1449
MOT-S24-12	2400×1200	200	1728
MOT-S30-12	3000×1200	250	2718
MOT-S35-12	3500×1200	250	3150
MOT-S40-12	4000×1200	300	4320
MOT-S50-12	5000×1200	350	6300
MOT-S60-12	6000×1200	350	7560
MOT-S15-15	1500×1500	200	1359

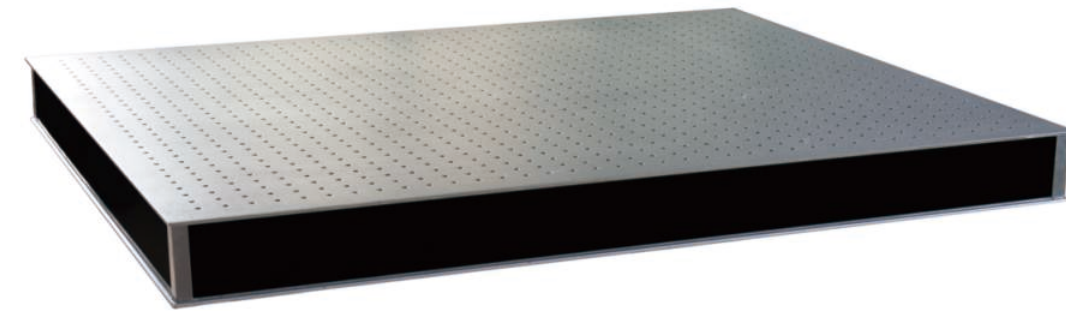
Customized dimensions are available upon request.

# MOT-W Series

## Non-magnetic Optical Breadboard

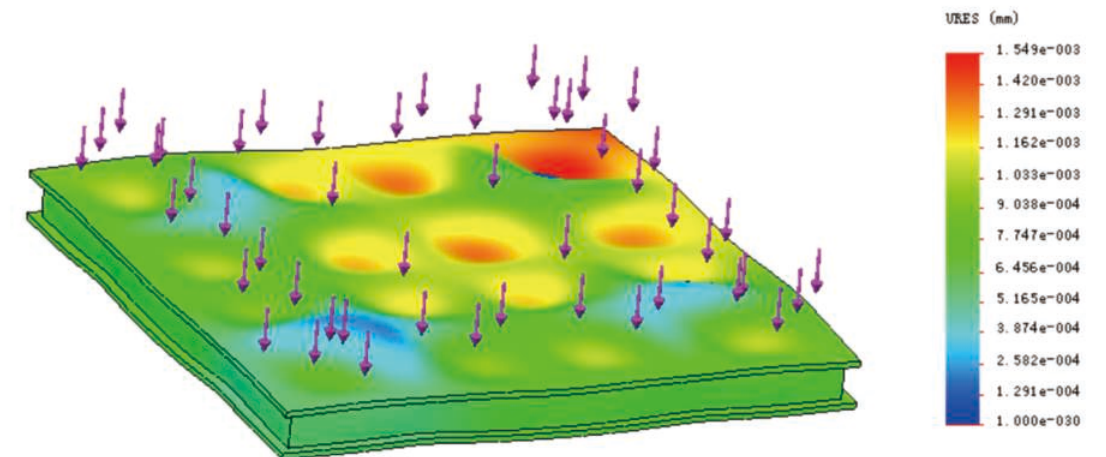
**PRODUCT FEATURES:**

- Broad-band vibration damping top to eliminate surface synchronized vibrations
- The breadboard is made of 304 stainless steel or aluminum alloy.
- Excellent rigidity with low deflection under working load
- Easy installation and simple to use without persistent maintenance



**RIGIDITY ANALYSIS:**

With an MOT-W optical breadboard of dimension 600X600X50mm under a demo load of 100kg

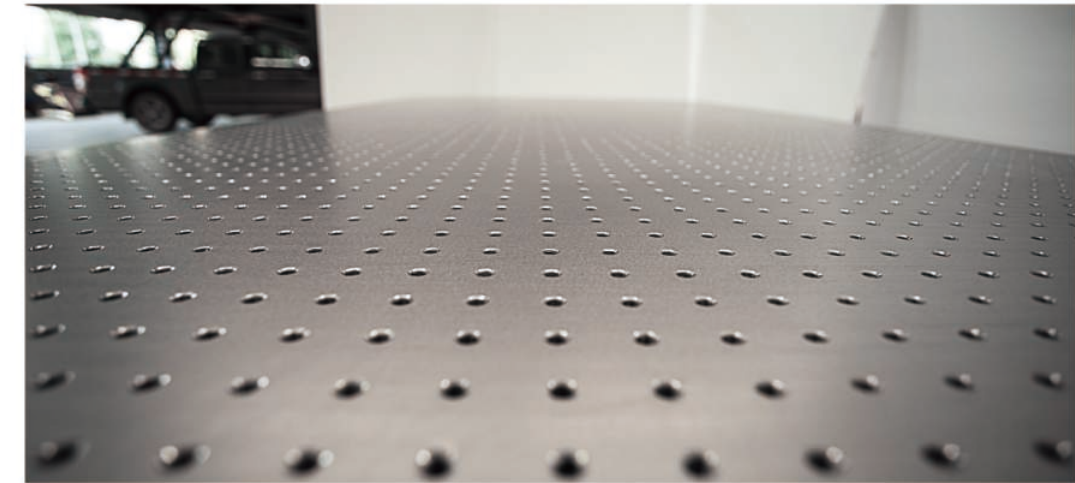




With one of its main characteristics of non magnetic, the optical breadboards are widely applied in the scientific fields of optical experiments, medical researches, high precision devices manufacturing and testing as well as aviation labs etc. They provide a solid mounting platform for the experiments hence ensure the accuracy of the experiment applications. The breadboard is designed with a structure of top and bottom skins, inner isolation vibration layer and sealed cups. The breadboard is made of 304 stainless steel. The sealed cups is made of stretching aluminum and they can effectively prevent the concurrence of noise and synchronized vibrations inside the breadboard, which may affect the accuracy of the experiments. Another advantage of the sealed cups is to prevent the dusts, liquids or other tiny accessories that may contaminate the breadboard dropping inside to the core of the breadboard. The inside net shaped steel grids are with high mechanical rigidity.

**TECHNICAL SPECIFICATIONS:**

Breadboard thickness	25mm, 50mm-400mm (e.g 50mm, 100mm, 150mm...)
Surface plate	304 non-magnetic stainless steel
Thickness	6-12mm
Inside Structure	# shaped core structure
Damping Type	Built-in damping materials
Mounting Holes Type	Metric: M6 25mm×25mm or 50mm×50mm grid
Screw hole boarder to edge	50mm also customizable
Surface Flatness	≤0.05mm/m <sup>2</sup>
Surface Roughness	≤0.8μm, matt surface finish



Model	Dimension(mm)	Thickness	Hole Grid	Hole Type	Board to Edge
MOT-W06-045	600×450	50	25×25	M6	50×50
MOT-W06-06	600×600	50	25×25	M6	50×50
MOT-W09-06	900×600	80	25×25	M6	50×50
MOT-W075-075	750×750	80	25×25	M6	50×50
MOT-W10-08	1000×800	100	25×25	M6	50×50
MOT-W09-09	900×900	80	25×25	M6	50×50
MOT-W12-09	1200×900	100	25×25	M6	50×50
MOT-W15-10	1500×1000	150	25×25	M6	50×50
MOT-W18-10	1800×1000	150	25×25	M6	50×50
MOT-W20-10	2000×1000	150	25×25	M6	50×50
MOT-W12-12	1200×1200	100	25×25	M6	50×50
MOT-W15-12	1500×1200	150	25×25	M6	50×50
MOT-W18-12	1800×1200	200	25×25	M6	50×50
MOT-W20-12	2000×1200	200	25×25	M6	50×50
MOT-W24-12	2400×1200	200	25×25	M6	50×50
MOT-W30-12	3000×1200	250	25×25	M6	50×50
MOT-W35-12	3500×1200	250	25×25	M6	50×50

**Customized dimensions are available upon request.**



## MOT-L Series

### Aluminum Optical Breadboard

#### PRODUCT FEATURES:

- High quality hard aluminum alloy(6061)
- Low deflection
- Non-magnetic with low self weight



e.g:

With an MOT-L aluminum optical breadboard of dimension 150X150X12mm under a demo load of 100kg

#### TECHNICAL SPECIFICATIONS:

Breadboard Thickness	12mm or 20mm
Mounting Hole Type	Metric M6
	25mm×25mm hole grid with boarder to edge 25mm also customizable

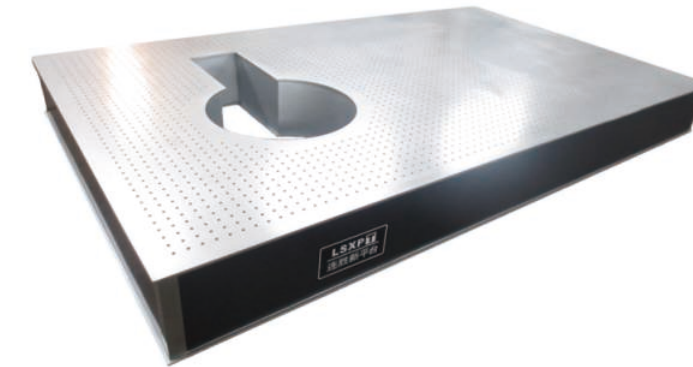
Model	Dimension(mm)	Thickness	Hole Grid	Hole Type	Weight (Kg)
MOT-L03-03	300×300	12	25×25	M6	3
MOT-L06-03	600×300	12	25×25	M6	6
MOT-L06-045	600×450	12	25×25	M6	8
MOT-L06-06	600×600	12	25×25	M6	12
MOT-L09-03	900×300	12	25×25	M6	9
MOT-L09-06	900×600	20	25×25	M6	30
MOT-L09-09	900×900	20	25×25	M6	45
MOT-L12-06	1200×600	20	25×25	M6	40
MOT-L12-09	1200×900	20	25×25	M6	60

## MOT-K Series

### Optical Breadboard with Special Mounting Holes

#### PRODUCT FEATURES:

- Breadboard core filled with vibration damping material to eliminate the resonance on the breadboard surface
- Medium carbon steel wallboard provides high mechanical strength
- High rigidity without deformation for loading performance
- Customization for type and size of mounting holes

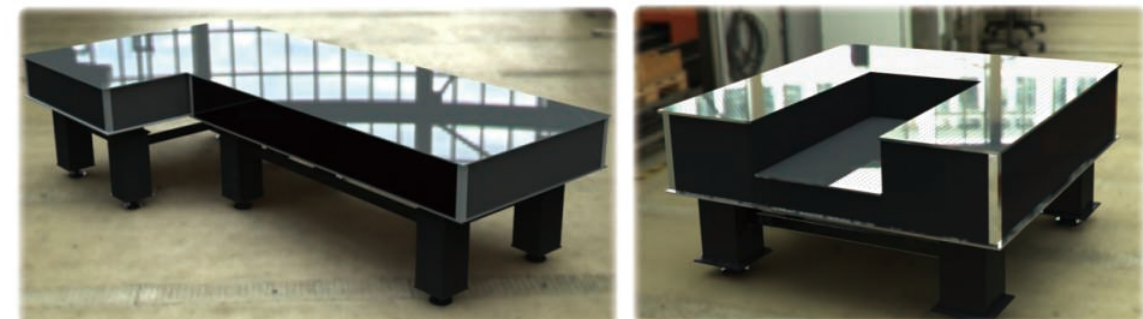


## MOT-Y Series

### Coupled Optical Breadboard

#### PRODUCT FEATURES:

- Breadboard core filled with vibration damping material to eliminate the resonance on the breadboard surface
- Medium carbon steel wallboard provides high mechanical strength
- High rigidity without deformation for loading performance
- Coupled Optical breadboard with customized dimension and shape



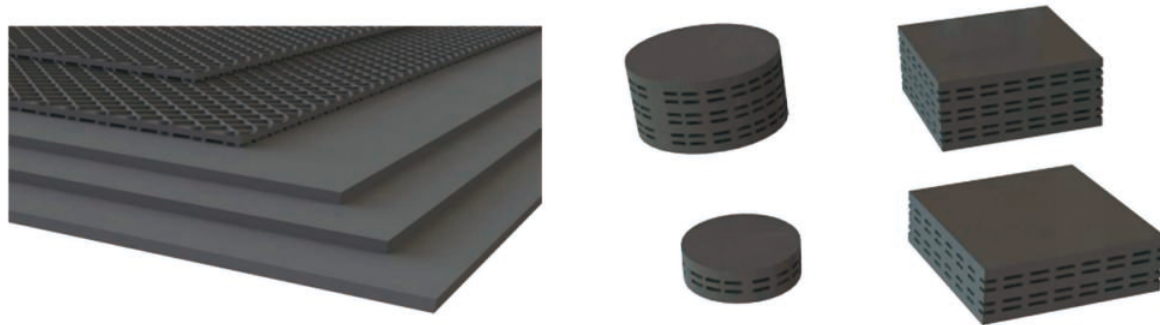


# POT-X Series

## Solid Vibration isolation Rubber Pads

### PRODUCT FEATURES:

- Free combination with good isolation isolating performance
- High stability as vibration isolation foundation
- Excellent vibration isolating efficiency in horizontal direction



POT-X Series vibration isolation rubber pads are made of self developed composition material of rubber, fiber, graphite and etc., with main structure form of network and solidity. It can be utilized, as a vibration isolation product with single layer as well as multi-layers. The latter are with much lower inherent frequency compared with single layer and are applicable for ground foundation vibration isolation, medium and high frequency vibration isolation as well as the preliminary vibration isolation base for large size mechanical equipment.

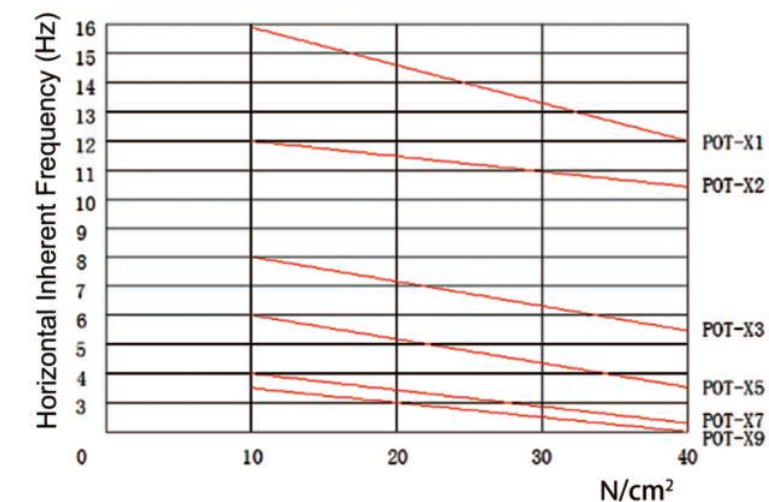
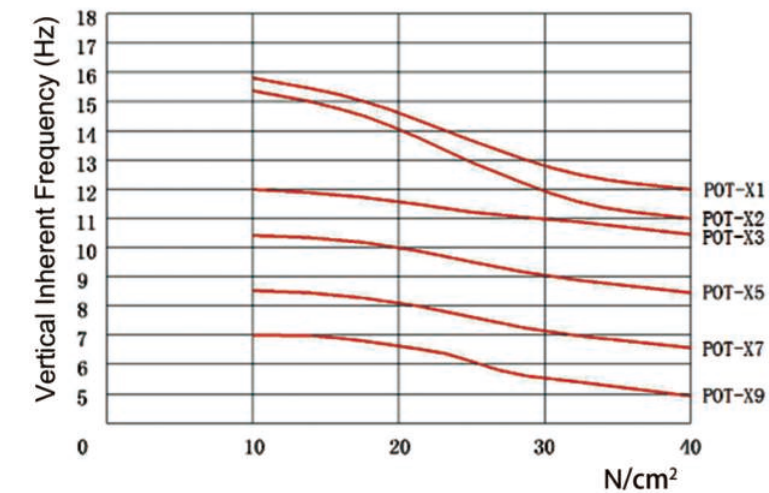
### TECHNICAL SPECIFICATIONS:

Vertical Inherent Frequency	6.5-16Hz
Horizontal Inherent Frequency	2-8Hz
Vibration Isolation Structure	Compound Rubber
Damping	Solid vibration damping
Damping Ratio	0.05-0.2
Creep Deformation	21.5% for one year, 35.6% for 10 years service life: >12 years

e.g:

POT-X1-100100 stands for one layer of vibration isolation plate with dimension of 100X100mm.

Model	Vertical Inherent Frequency (Hz)	Horizontal Inherent Frequency (Hz)	Thickness (mm)
POT-X1(Solid)	16.0~12.0Hz	16.0~12.0Hz	8.5
POT-X2	16.0~12.0Hz	12.0~10.5Hz	14
POT-X3	12.0~10.5Hz	8.0~6.5Hz	36.5
POT-X5	10.0~8.5Hz	6.0~4.5Hz	59
POT-X7	8.5~6.5Hz	4.0~2.0Hz	81.5
POT-X9	7.0~5.0Hz	3.5~2.0Hz	104





## POT-P Series

### Solid Vibration Isolation Damping Isolator

- Effective isolating efficiency for vibrations in the middle and higher range of frequency
- Stable structure with minimum environmental requirements
- Short re-setting periods and high damping ratio
- Easy installation and low demand for maintenance
- Optional ordering for castors



A self developed compound solid vibration isolating rubber pads are used for this type of isolator. It is effective to reduce the vibration force and damp the environment vibrations. The height and leveling of the isolators can be manually adjusted.

#### APPLICATIONS:

- Optical microscopes, bio-medical applications
- Optical path testing and optical manufacturing
- Other Optical devices that does not have a high requirement for vibration isolation performance

Inherent Frequency	6.5-12Hz, vertically; 3-8.5Hz, horizontally
Vibration Isolation Structure	Damping rubber pads
Isolation Damping Type	Solid rubber
Damping Ratio	0.05-0.2
Load Capacity	180-800kgs
Height Adjustment Range	±10mm
Resetting Time	<5s
Optional ordering for castors	

## POT-G Series

### Solid Vibration Isolation Damping Isolator with Hollow Cone Structure

- Effective isolating efficiency for vibrations in the middle and higher range of frequency
- Stable structure with minimum environment requirements
- Short re-setting periods and high damping ratio
- Easy installation and low demand for maintenance
- Optional ordering for castors



The isolators use high quality self developed compound isolation damping materials with isolating efficiency that is almost equal to air spring pneumatic isolators while requires less maintenance during its using life.

#### APPLICATIONS:

- High precision optical microscopes, bio-medical applications
- Optical path testing and optical manufacturing
- Laser scanning and interferometers
- Holographic interferometry and integrated electronics
- Other Optical devices that have a fairly high requirement for vibration isolation performance

Inherent Frequency	4-8Hz, vertically; 2-4Hz, horizontally
Vibration Isolation Structure	Hollow cone rubber structure
Isolation Damping Type	Solid rubber
Damping Ratio 0.1-0.3	Load Capacity 50-700kg
Height Adjustment Range	±10mm
Resetting Time	<5s
Optional ordering for castors	

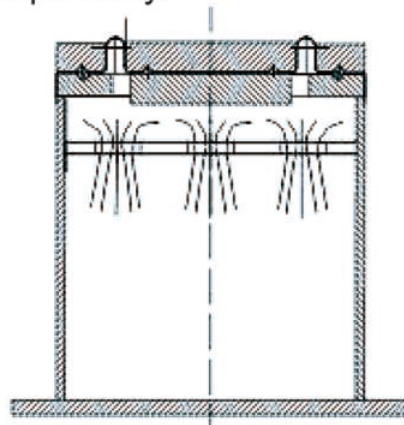


## ZDT-P Series Pneumatic Auto-balancing & Self-Centering Isolator

- Ultra-thin air spring structure to eliminate the impact on the system inherent frequency
- High precision pneumatic control system with features of high sensitivity, high speed and stability
- Self leveling and balancing
- Optional choice of castors

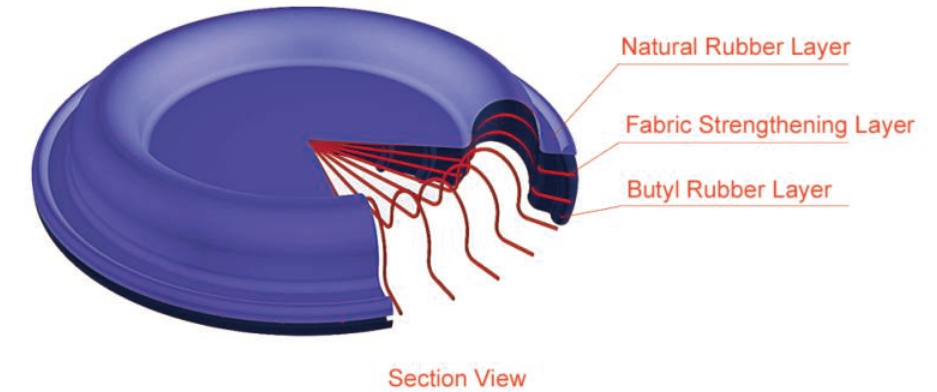


The ZDT-P type pneumatic isolators adopt ultra thin compound material air springs with porous quasi-laminar flow damping element with diffuser. The isolators provide excellent vibration isolation efficiency with highly stable performance. The air spring isolators also feature auto leveling and inflating characteristics. The critical components of the pneumatic system are made by FESTO. The silent air compressor needs to be ordered separately.



Schematic drawing

With the structure of dual air chambers, under the perturbation of the environment vibration, the air system will have low-frequency alternating deformation which enables the air flow to change its flowing direction thus forms an isolation damping force during each forced cycles.



The thickness of the air spring is only 0.5% to its effective diameter, which is almost half of the conventional air springs. It is softer and more sensitive.

### APPLICATIONS:

- High precision optical microscopes, bio-medical applications
- Optical path testing and measurement
- Laser scanning and interferometers
- Spectrometers and high precision measuring
- Integrated electronics and other optical devices that requires for high vibration isolation performance

Inherent Frequency	1.0-2.0Hz, vertically; 1.5-2.0Hz, horizontally
Vibration Isolating Efficiency	82~88%@5Hz, 86~95%@10Hz, vertically 78~86%@5Hz, 84~92%@10Hz, horizontally
Vibration Isolation Structure	Ultra thin air springs
Leveling Type	Automatic
Vibration Damping Type	Porous quasi-laminar flow damping element with diffuser
Working Air Pressure: 0.2-0.4MPa	Re-leveling Accuracy: ±0.1mm
Isolator Height Adjustment Range: ±10mm	Resetting time: <5s
Optional installation of castors	



## ZDT-B Series

### Pneumatic Air Spring Vibration Isolator with Pendulum Rod

#### PRODUCT FEATURES:

- Ultra-thin air bag structure to eliminate the impact on the system inherent frequency
- Single pendulum spring principle to achieve much lower inherent frequency in horizontal direction
- High precision pneumatic control system with features of high sensibility, high speed and stability
- Self leveling and balancing
- Optional choice of castors



With the innovated design of the pendulum rod structure, the ZDT-B type pneumatic isolators can achieve much lower inherent frequency in horizontal direction and better load capacity, compared with other conventional pneumatic air spring vibration isolators. In fact the innovated design and technology of pendulum bar has been granted as the state level innovation patent. The critical components of the pneumatic system are made by FESTO. The silent air compressor need to be ordered separately.

#### APPLICATIONS:

- High precision optical microscopes, bio-medical applications
- Optical path testing and measurement
- Laser scanning and interferometers
- Spectrometers and high precision measuring
- Integrated electronics and other optical devices or experiment that requires for very high vibration isolation performance



Inherent Frequency	1.0-2.0Hz, vertically; 1.0-1.5Hz, horizontally
Vibration Isolating Efficiency	86~92%@5Hz, 90~95%@10Hz, vertically 88~94%@5Hz, 92~98%@10Hz, horizontally
Vibration Isolation Structure	Air springs & pendulum rod
Leveling Type	Automatic
Vibration Damping Type	Porous quasi-laminar flow damping element with diffuser
Working Air Pressure	0.2-0.4MPa
Re-leveling Accuracy	±0.1mm
Isolator Height Adjustment Range	±10mm
Resetting time	<5s
Optional installation of castors	

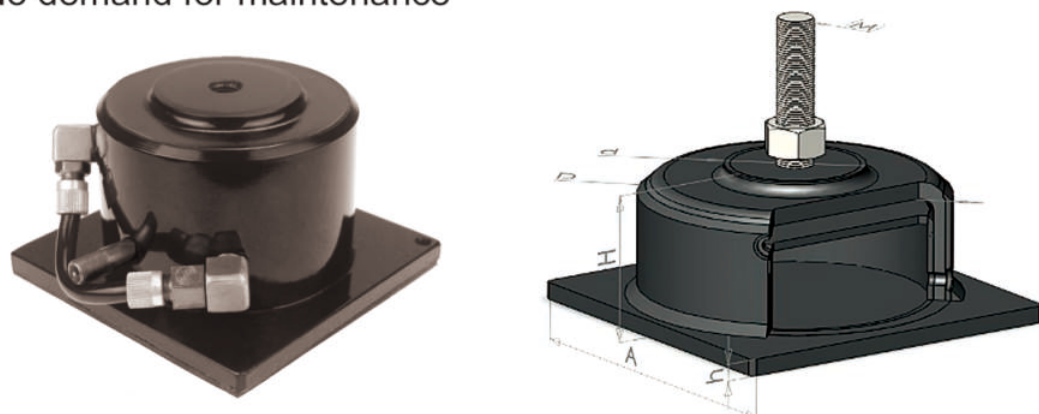


# ZDT-J Series

## Damping Adjustable Vibration Isolator

### PRODUCT FEATURES:

- Vibration damping can be adjusted as per different vibration environment to minimize the occurrence of synchronized vibration
- Easy using and simple installation
- Anti-deformation, long service life
- No demand for maintenance

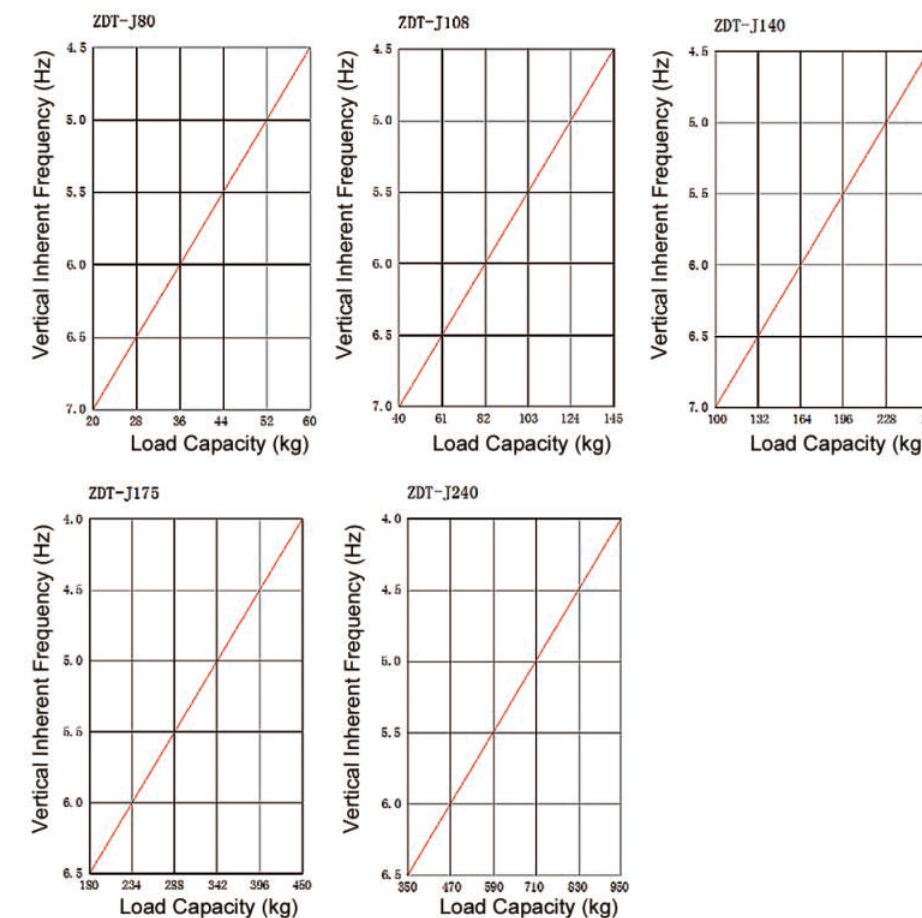


### APPLICATIONS:

The XGL Series vibration damping adjustable isolators are applicable for the following areas for vibration damping and isolating:

- All kinds of high precision devices
- High precision mechanical equipment
- High precision manufacturing processing
- High precision testing and measuring

Vibration isolation for electronic printers, air-conditioners, stamping and die machines. It is also applicable for external vibration control required by high precision motion movements, laser optical experiments, laser scanning, optical manufacturing machines, medical membrane clamps and electrocardiography experiments.



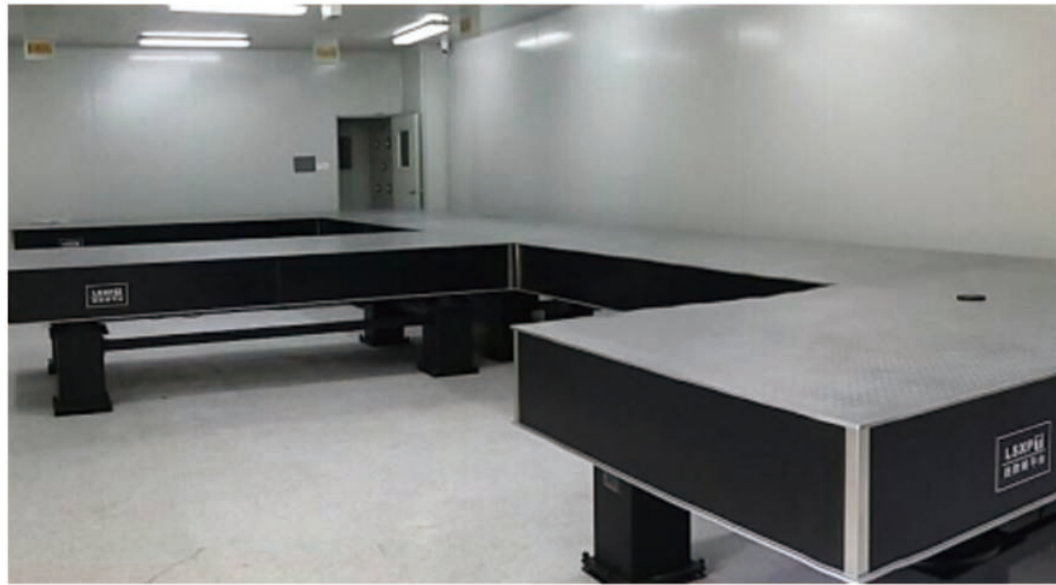
Model	ZDT-J-80	ZDT-J-108	ZDT-J-140	ZDT-J-175	ZDT-J-240
Load capacity(kg)	20-60	40-145	100-260	180-450	350-950
Max Working pressure:	0.35MPa	0.35MPa	0.4MPa	0.5MPa	0.5MPa
Inherent Frequency:	4.5-7Hz	4.5-7Hz	4.5-7Hz	4-6.5Hz	4- 6.5Hz
Damping Adjustment Ratio:	0.05-0.3	0.05-0.3	0.05-0.3	0.05-0.3	0.05-0.3
A ( mm )	110	140	155	200	265
D ( mm )	80	108	140	175	240
d ( mm )	40	50	60	95	130
h ( mm )	6	8	8	10	10
H ( mm )	62	72	92	94	94
M ( mm )	M10	M12	M14	M16	M20



## Technical Solutions



**ZDT-P 40-25**  
4mx2.5m Joint Vibration Isolation Optical Tables



**ZDT-P 10-45**  
10mx4.5m Joint Vibration Isolation Optical Tables

## Technical Solutions



**ZDT-B 10-80**  
10mx8m Joint Vibration Isolation Optical Tables

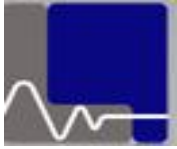


**POT-G 24-12**  
6 Sets of 2.4mx1.2m Vibration Isolation Optical  
Tables Bought by One Customer









C  
Address: Room 402, No.1277, No. 95, Fushan Yi Lu, The Economic  
Development Area of Xiaolan, Nanchang, Jiangxi, China  
Tel: +8679188224426 Email: [sales2@opticaltable.cn](mailto:sales2@opticaltable.cn)  
Web: [www.opticaltable.com](http://www.opticaltable.com) Contact: Grace Duan

### Linear Translation Stages

#### LSSP-X-13VZ-02

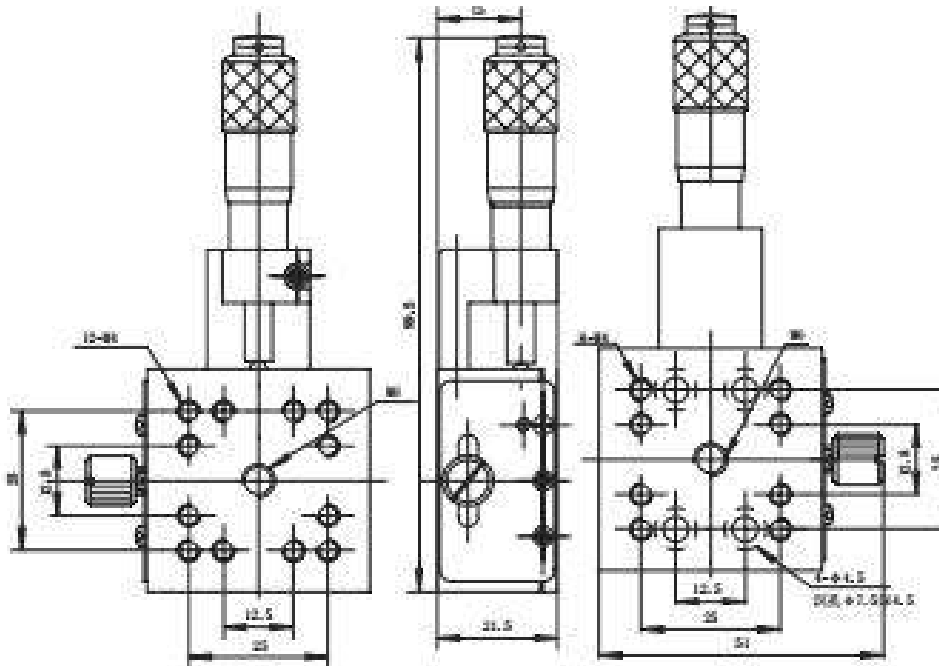
#### Technical Specs:

- Technical Specs:

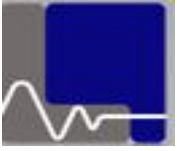


Model	LSSP-X-13VZ-02
Platform Size	40x40mm
Travel range	13mm
Accuracy	0.005mm
Sensitivity	0.002mm
Driving mode	Micrometer Screw
Load Capacity	3kg
Driving Position	Center
Net Weight	0.12kg

- Technical drawing







Jiangxi Liansheng Technology Co.,Ltd  
Address: Room 402, No.1277, No. 95, Fushan Yi Lu, The Economic  
Development Area of Xiaolan, Nanchang, Jiangxi, China  
Tel: +8679188224426 Email: [sales2@opticaltable.cn](mailto:sales2@opticaltable.cn)  
Web: [www.opticaltable.com](http://www.opticaltable.com) Contact: Grace Duan

**Linear Translation Stages**

**LSSP-X-13VZ-03**

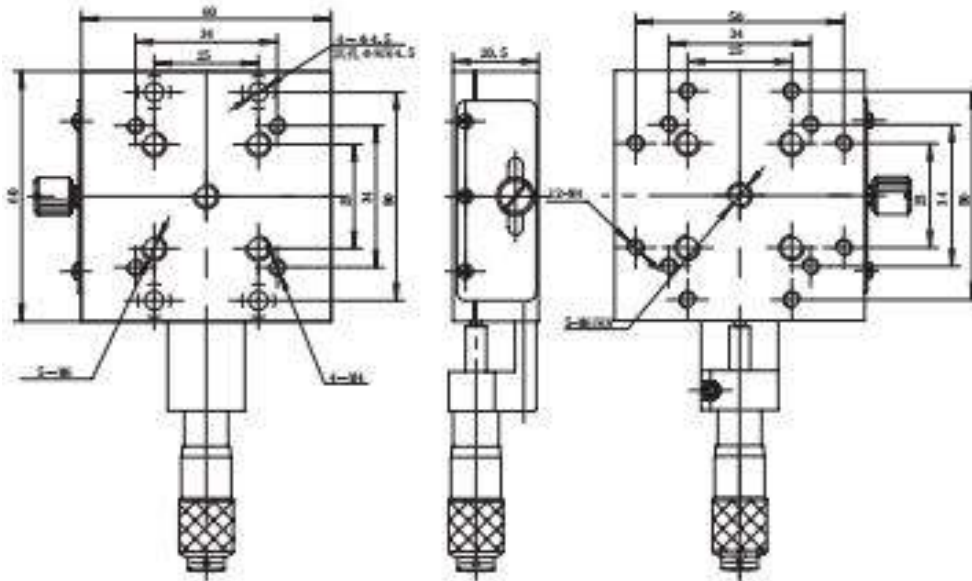
**Technical Specs:**

- Technical Specs:

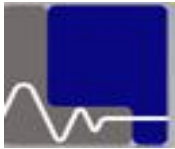


Model	LSSP-X-13VZ-03
Platform Size	60x60mm
Travel range	13mm
Accuracy	0.005mm
Sensitivity	0.002mm
Driving mode	Micrometer Screw
Load Capacity	3kg
Driving Position	Center
Net Weight	0.17kg

- Technical drawing







Jiangxi Liansheng Technology Co.,Ltd  
 Address: Room 402, No.1277, No. 95, Fushan Yi Lu, The Economic  
 Development Area of Xiaolan, Nanchang, Jiangxi, China  
 Tel: +8679188224426 Email: [sales2@opticaltable.cn](mailto:sales2@opticaltable.cn)  
 Web: [www.opticaltable.com](http://www.opticaltable.com) Contact: Grace Duan

**Linear Translation Stages**

**LSSP-X-13VC-01**

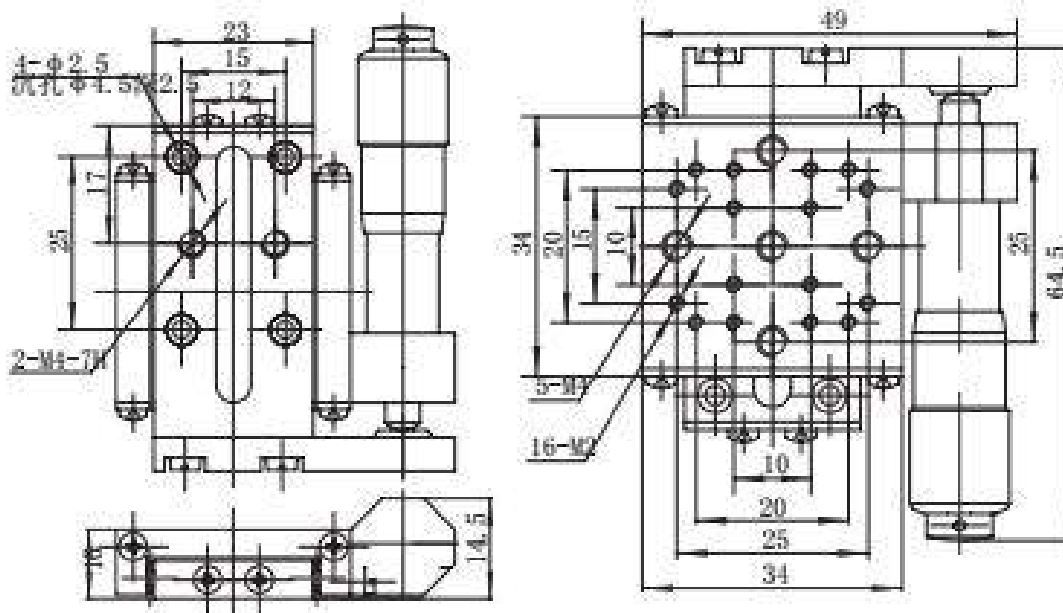
**Technical Specs:**

- Technical Specs:



Model	LSSP-X-13VC-01
Platform Size	34x34mm
Travel range	13mm
Accuracy	0.005mm
Sensitivity	0.002mm
Driving mode	Micrometer Screw
Load Capacity	2kg
Driving Position	Side
Net Weight	0.07kg

- Technical drawing



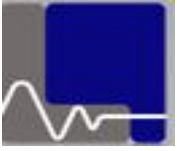












Jiangxi Liansheng Technology Co.,Ltd  
 Address: Room 402, No.1277, No. 95, Fushan Yi Lu, The Economic  
 Development Area of Xiaolan, Nanchang, Jiangxi, China  
 Tel: +8679188224426 Email: [sales2@opticaltable.cn](mailto:sales2@opticaltable.cn)  
 Web: [www.opticaltable.com](http://www.opticaltable.com) Contact: Grace Duan

**Linear Translation Stages**

**LSSP-X-13SZ-01**

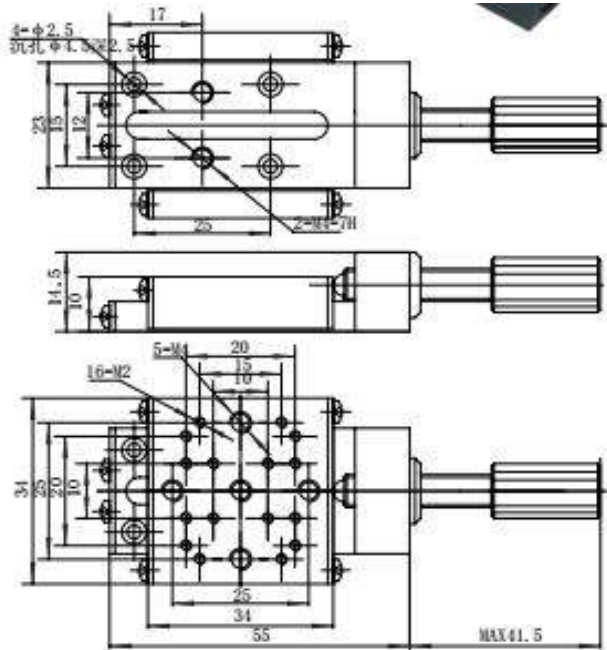
**Technical Specs:**

- Technical Specs:

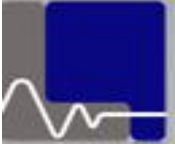


- Technical drawing

Model	LSSP-X-13SZ-01
Platform Size	34x34mm
Travel range	13mm
Accuracy	0.05mm
Sensitivity	0.02mm
Driving mode	Threaded Screw M6X0.25
Load Capacity	2kg
Driving Position	Center
Net Weight	0.07kg







Jiangxi Liansheng Technology Co.,Ltd  
Address: Room 402, No.1277, No. 95, Fushan Yi Lu, The Economic  
Development Area of Xiaolan, Nanchang, Jiangxi, China  
Tel: +8679188224426 Email: [sales2@opticaltable.cn](mailto:sales2@opticaltable.cn)  
Web: [www.opticaltable.com](http://www.opticaltable.com) Contact: Grace Duan

### Linear Translation Stages

#### LSSP-X-13SC-01

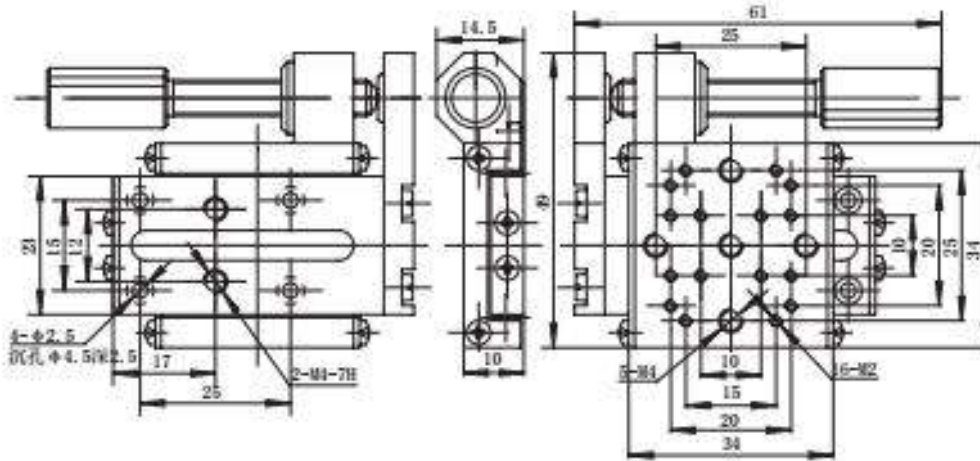
#### Technical Specs:

- Technical Specs:

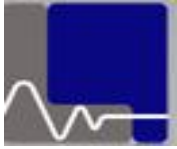


Model	LSSP-X-13SC-01
Platform Size	34x34mm
Travel range	13mm
Accuracy	0.05mm
Sensitivity	0.02mm
Driving mode	Threaded Screw M6X0.25
Load Capacity	2kg
Driving Position	Side
Net Weight	0.07kg

- Technical drawing







Jiangxi Liansheng Technology Co.,Ltd  
Address: Room 402, No.1277, No. 95, Fushan Yi Lu, The Economic  
Development Area of Xiaolan, Nanchang, Jiangxi, China  
Tel: +8679188224426 Email: [sales2@opticaltable.cn](mailto:sales2@opticaltable.cn)  
Web:www.opticaltable.com Contact: Grace Duan

## Manual Linear Translation Stages (Liansheng Optics Series)

### Linear Translation Stages

#### LSSP-X-25VZ-01

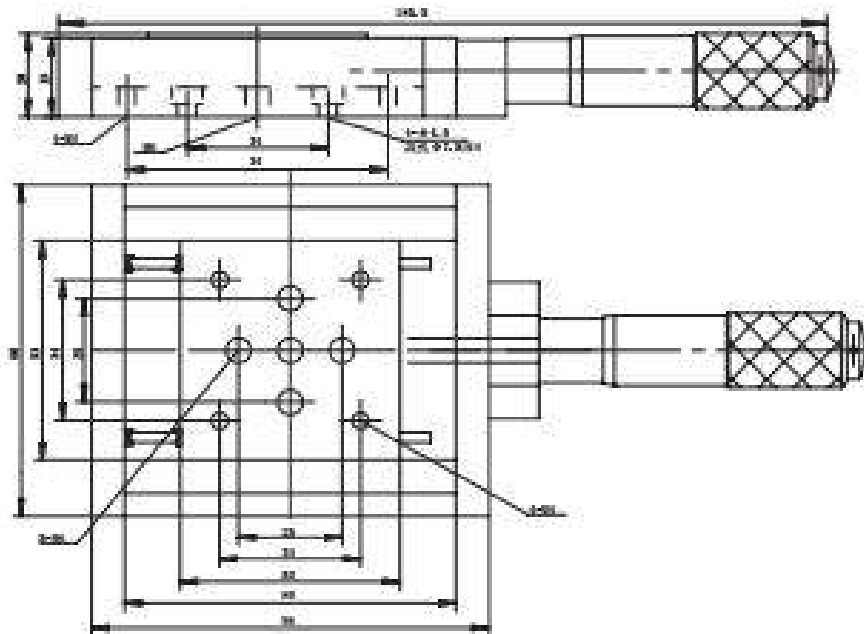
#### Technical Specs:

- Technical Specs:

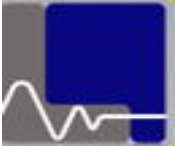


Model	LSSP-X-25VZ-01
Platform Size	53X53mm
Travel range	25mm
Mini Scaling	0.001mm
Sensitivity	0.002mm
Driving mode	Micrometer Screw
Load Capacity	8kg
Driving Position	Center
Net Weight	0.35kg

- Technical drawing







Jiangxi Liansheng Technology Co.,Ltd  
 Address: Room 402, No.1277, No. 95, Fushan Yi Lu, The Economic  
 Development Area of Xiaolan, Nanchang, Jiangxi, China  
 Tel: +8679188224426 Email: [sales2@opticaltable.cn](mailto:sales2@opticaltable.cn)  
 Web: [www.opticaltable.com](http://www.opticaltable.com) Contact: Grace Duan

**Linear Translation Stages**

**LSSP-X-25VZ-02**

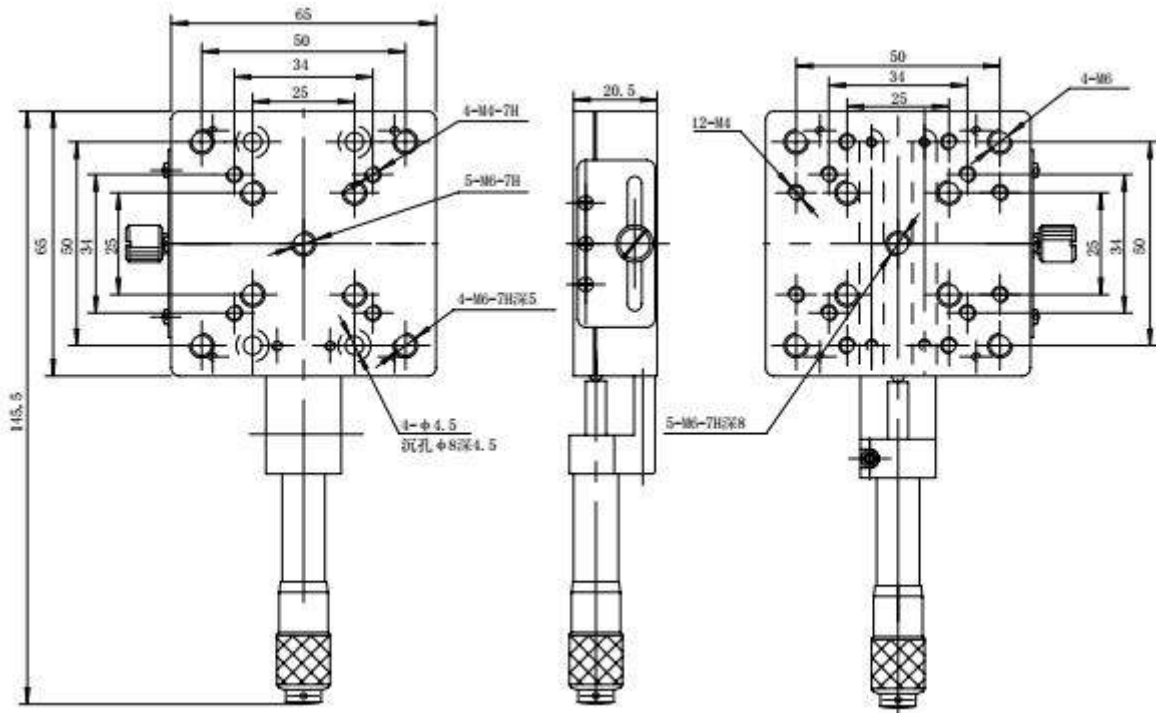
**Technical Specs:**

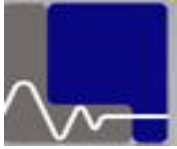
- Technical Specs:



Model	LSSP-X-25VZ-02
Platform Size	65X65mm
Travel range	25mm
Mini Scaling	0.001mm
Sensitivity	0.002mm
Driving mode	Micrometer Screw
Load Capacity	8kg
Driving Position	Center
Net Weight	0.4kg

- Technical drawing





Jiangxi Liansheng Technology Co.,Ltd  
 Address: Room 402, No.1277, No. 95, Fushan Yi Lu, The Economic  
 Development Area of Xiaolan, Nanchang, Jiangxi, China  
 Tel: +8679188224426 Email: [sales2@opticaltable.cn](mailto:sales2@opticaltable.cn)  
 Web: [www.opticaltable.com](http://www.opticaltable.com) Contact: Grace Duan

**Linear Translation Stages**

**LSSP-X-25VC-02**

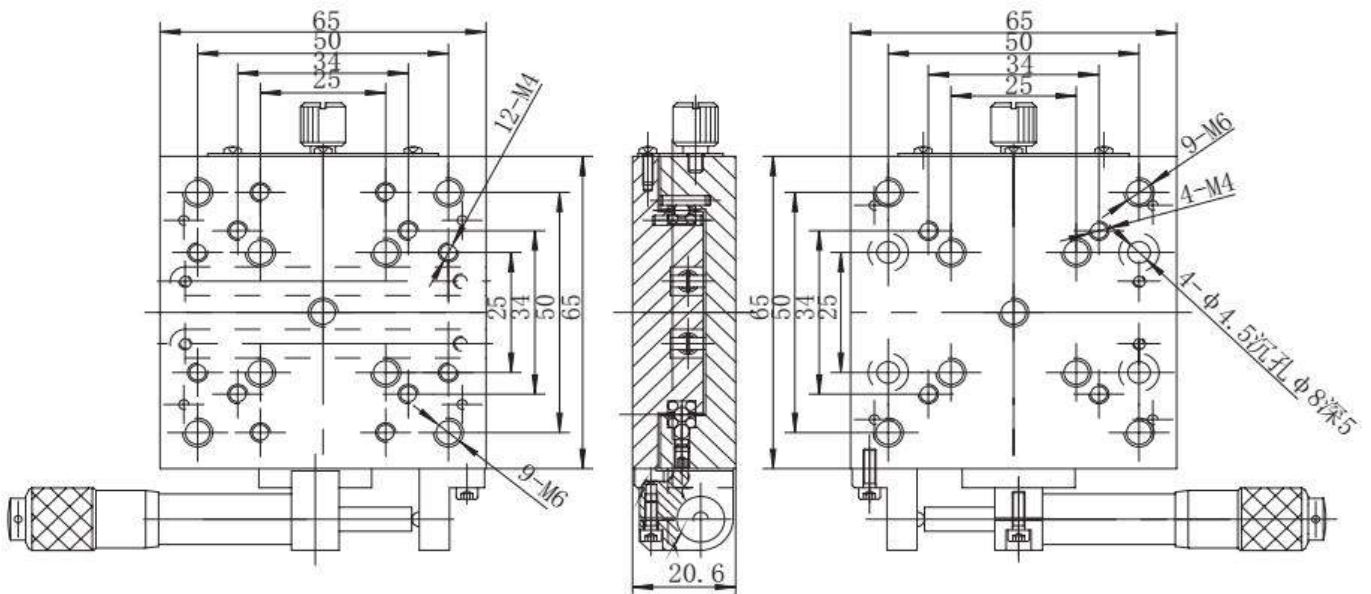
**Technical Specs:**

- Technical Specs:

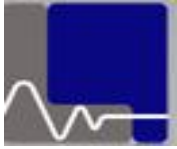


Model	LSSP-X-25VC-02
Platform Size	65X65mm
Travel range	25mm
Mini Scaling	0.001mm
Sensitivity	0.002mm
Driving mode	Micrometer Screw
Load Capacity	8kg
Driving Position	Side
Net Weight	0.4kg

- Technical drawing







Jiangxi Liansheng Technology Co.,Ltd  
 Address: Room 402, No.1277, No. 95, Fushan Yi Lu, The Economic  
 Development Area of Xiaolan, Nanchang, Jiangxi, China  
 Tel: +8679188224426 Email: [sales2@opticaltable.cn](mailto:sales2@opticaltable.cn)  
 Web: [www.opticaltable.com](http://www.opticaltable.com) Contact: Grace Duan

**Linear Translation Stages**

**With High Precision Crossed Roller Guide Rails**

**LSSP-J-13VZ-01**

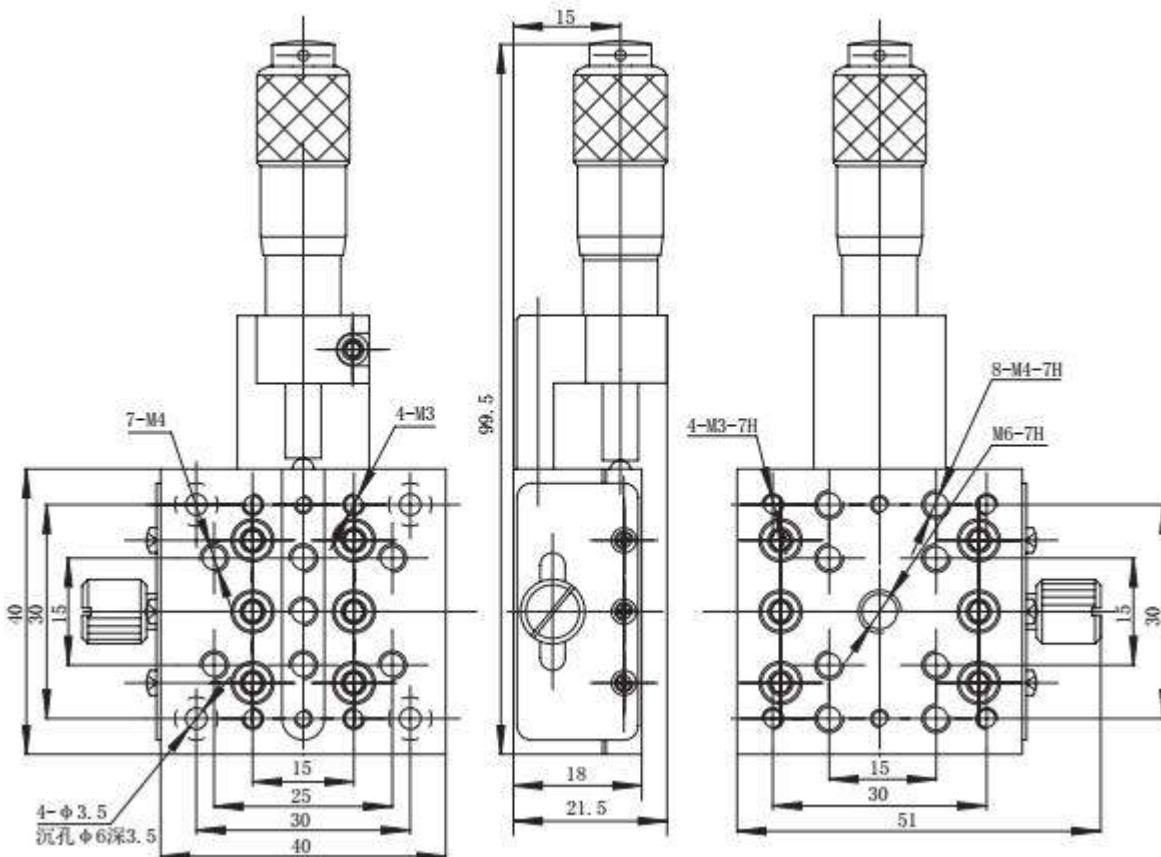
**Technical Specs:**

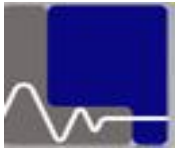
- Technical Specs:



Model	LSSP-J-13VZ-01
Platform Size	40X40mm
Travel range	13mm
Mini Scaling	0.01mm
Sensitivity	0.002mm
Driving mode	Micrometer Screw
Load Capacity	8kg
Driving Position	Center
Net Weight	0.24kg

- Technical drawing





Jiangxi Liansheng Technology Co.,Ltd  
 Address: Room 402, No.1277, No. 95, Fushan Yi Lu, The Economic  
 Development Area of Xiaolan, Nanchang, Jiangxi, China  
 Tel: +8679188224426 Email: [sales2@opticaltable.cn](mailto:sales2@opticaltable.cn)  
 Web: [www.opticaltable.com](http://www.opticaltable.com) Contact: Grace Duan

**Linear Translation Stages**

**With High Precision Crossed Roller Guide Rails**

**LSSP-J-13VZ-02**

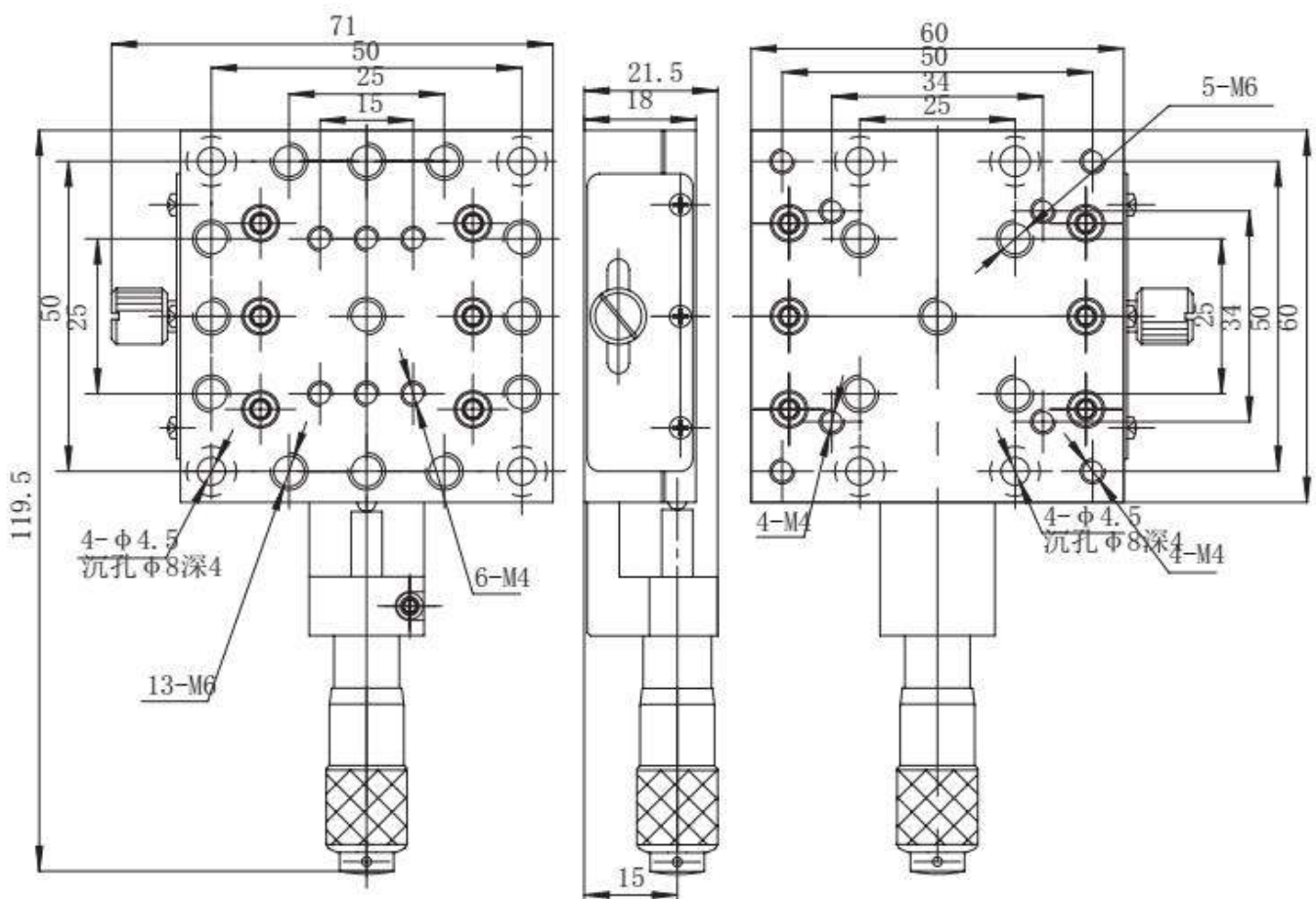
**Technical Specs:**

- Technical Specs:

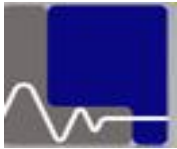


Model	LSSP-J-13VZ-02
Platform Size	60X60mm
Travel range	13mm
Mini Scaling	0.01mm
Sensitivity	0.002mm
Driving mode	Micrometer Screw
Load Capacity	10kg
Driving Position	Center
Net Weight	0.4kg

- Technical drawing







Jiangxi Liansheng Technology Co.,Ltd  
 Address: Room 402, No.1277, No. 95, Fushan Yi Lu, The Economic  
 Development Area of Xiaolan, Nanchang, Jiangxi, China  
 Tel: +8679188224426 Email: [sales2@opticaltable.cn](mailto:sales2@opticaltable.cn)  
 Web: [www.opticaltable.com](http://www.opticaltable.com) Contact: Grace Duan

**Linear Translation Stages**

**With High Precision Crossed Roller Guide Rails**

**LSSP-J-13VC-01**

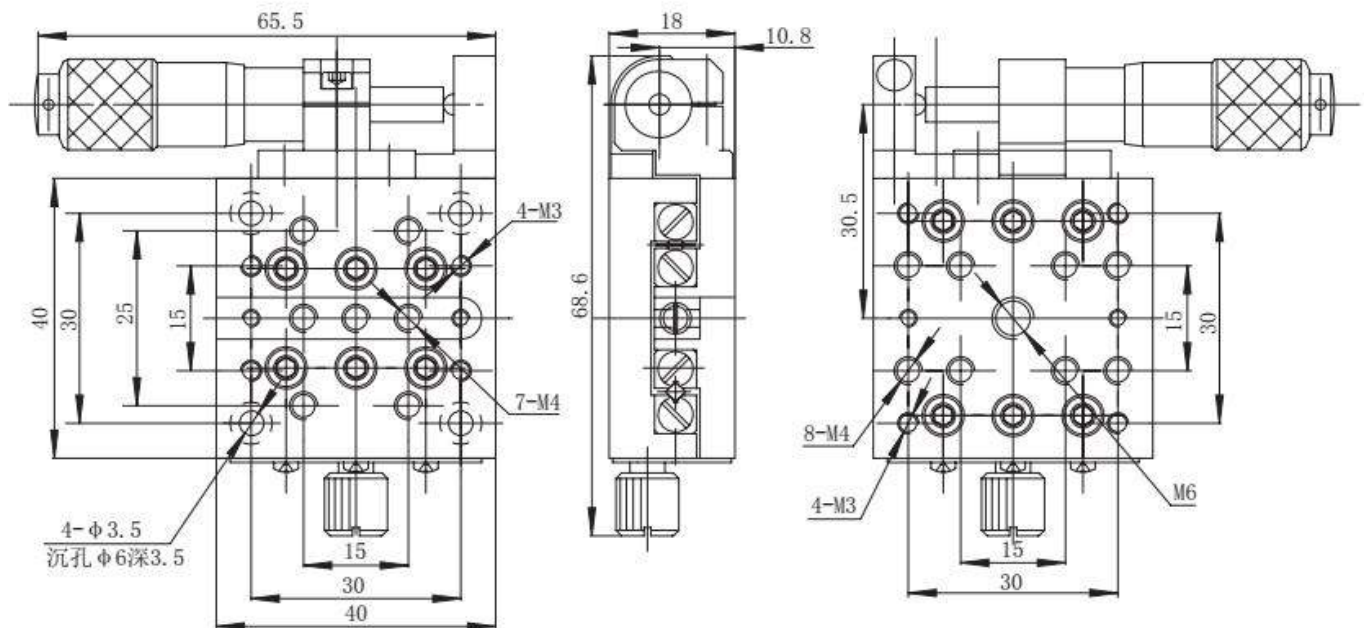
**Technical Specs:**

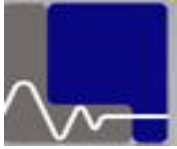
- Technical Specs:



Model	LSSP-J-13VC-01
Platform Size	40X40mm
Travel range	13mm
Mini Scaling	0.01mm
Sensitivity	0.002mm
Driving mode	Micrometer Screw
Load Capacity	8kg
Driving Position	Side
Net Weight	0.24kg

- Technical drawing





Jiangxi Liansheng Technology Co.,Ltd  
 Address: Room 402, No.1277, No. 95, Fushan Yi Lu, The Economic  
 Development Area of Xiaolan, Nanchang, Jiangxi, China  
 Tel: +8679188224426 Email: [sales2@opticaltable.cn](mailto:sales2@opticaltable.cn)  
 Web: [www.opticaltable.com](http://www.opticaltable.com) Contact: Grace Duan

**Linear Translation Stages**

**With High Precision Crossed Roller Guide Rails**

**LSSP-J-13VC-02**

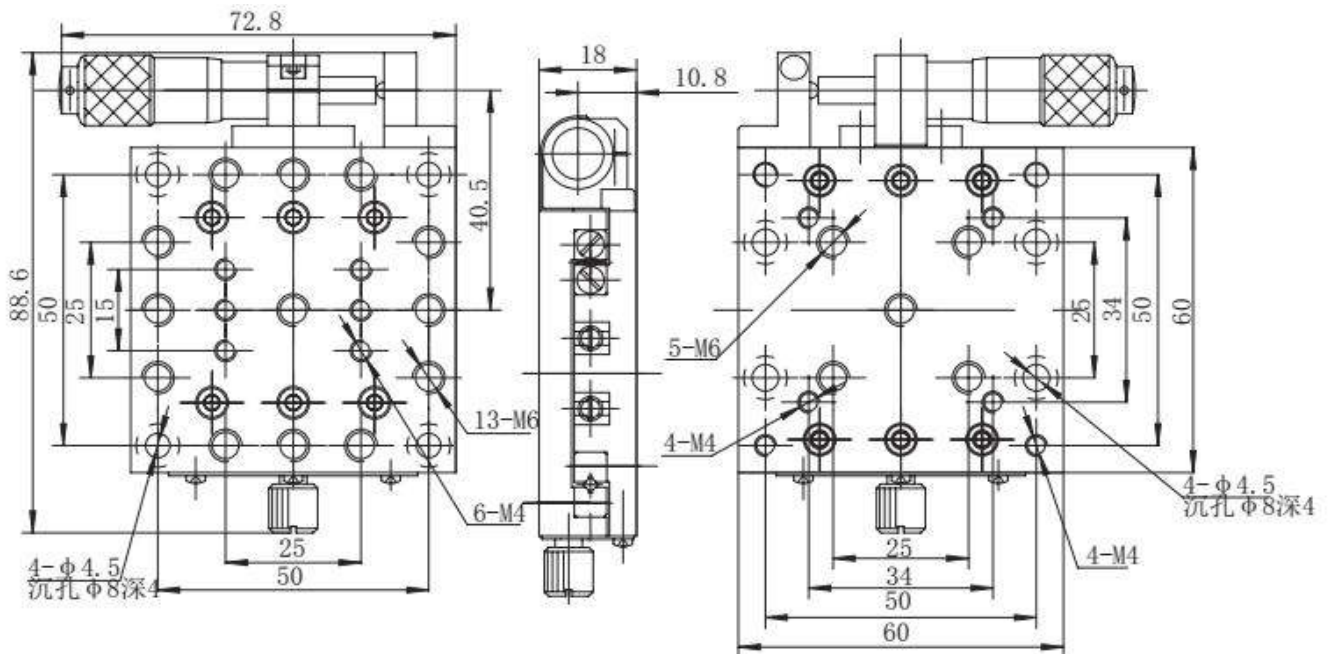
**Technical Specs:**

- Technical Specs:

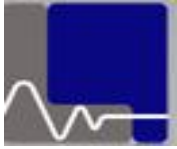


Model	LSSP-J-13VC-02
Platform Size	60X60mm
Travel range	13mm
Mini Scaling	0.01mm
Sensitivity	0.002mm
Driving mode	Micrometer Screw
Load Capacity	10kg
Driving Position	Side
Net Weight	0.4kg

- Technical drawing







Jiangxi Liansheng Technology Co.,Ltd  
 Address: Room 402, No.1277, No. 95, Fushan Yi Lu, The Economic  
 Development Area of Xiaolan, Nanchang, Jiangxi, China  
 Tel: +8679188224426 Email: [sales2@opticaltable.cn](mailto:sales2@opticaltable.cn)  
 Web: [www.opticaltable.com](http://www.opticaltable.com) Contact: Grace Duan

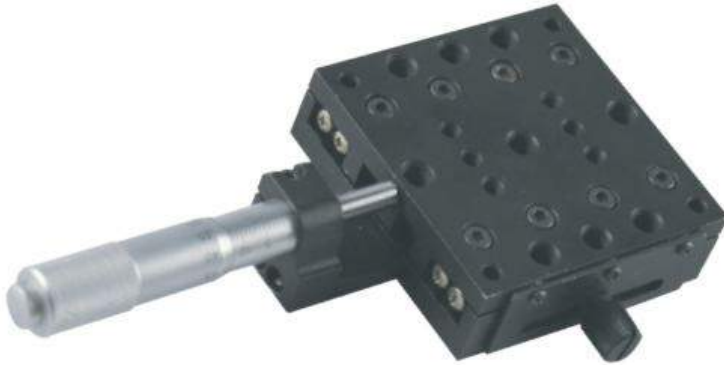
**Linear Translation Stages**

**With High Precision Crossed Roller Guide Rails**

**LSSP-J-25VZ-01**

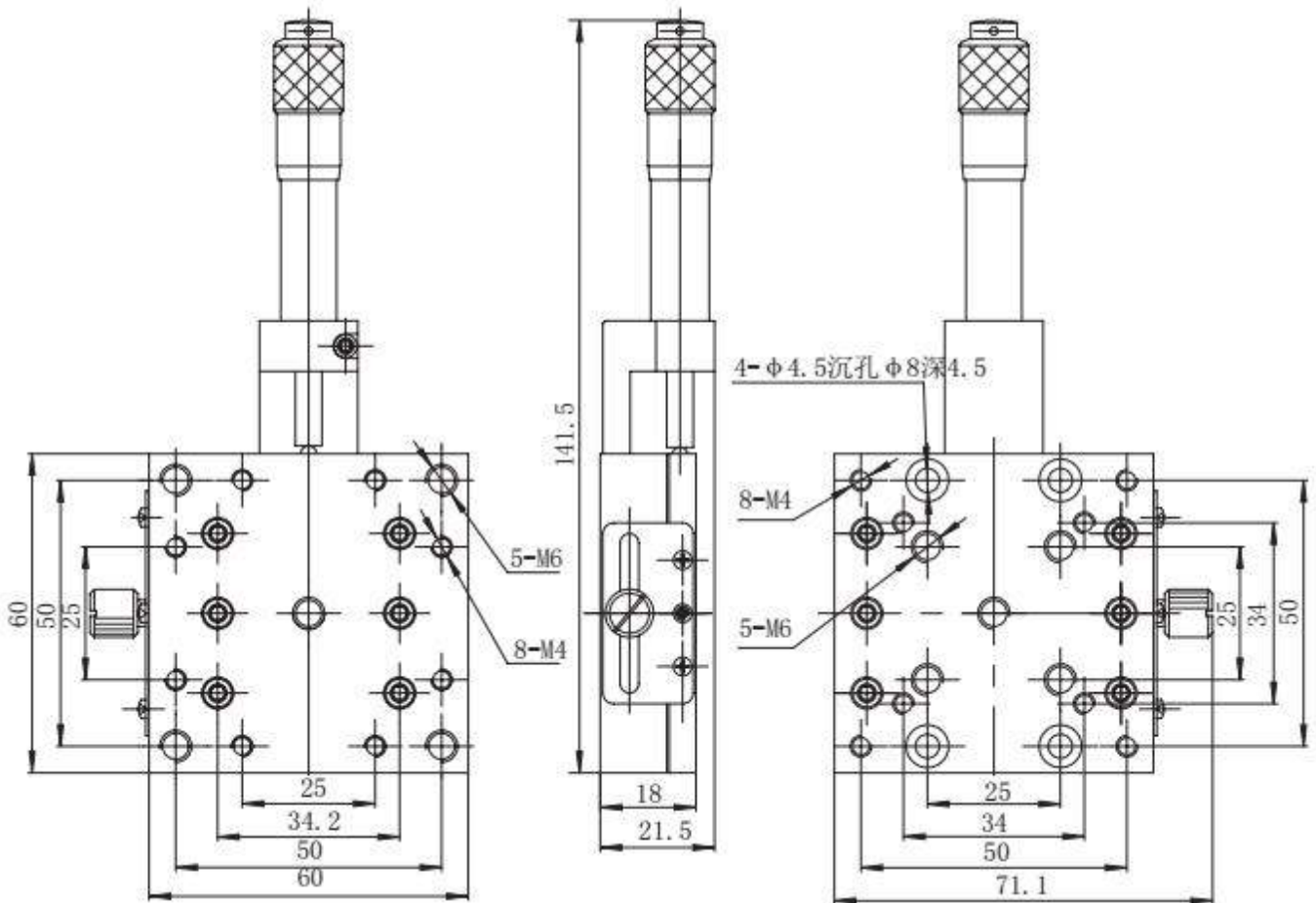
**Technical Specs:**

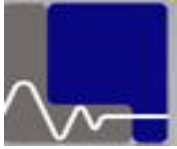
- Technical Specs:



Model	LSSP-J-25VZ-01
Platform Size	60X60mm
Travel range	25mm
Mini Scaling	0.01mm
Sensitivity	0.002mm
Driving mode	Micrometer Screw
Load Capacity	15kg
Driving Position	Center
Net Weight	0.5kg

- Technical drawing





Jiangxi Liansheng Technology Co.,Ltd  
 Address: Room 402, No.1277, No. 95, Fushan Yi Lu, The Economic  
 Development Area of Xiaolan, Nanchang, Jiangxi, China  
 Tel: +8679188224426 Email: [sales2@opticaltable.cn](mailto:sales2@opticaltable.cn)  
 Web: [www.opticaltable.com](http://www.opticaltable.com) Contact: Grace Duan

**Linear Translation Stages**

**With High Precision Crossed Roller Guide Rails**

**LSSP-J-50VZ-01**

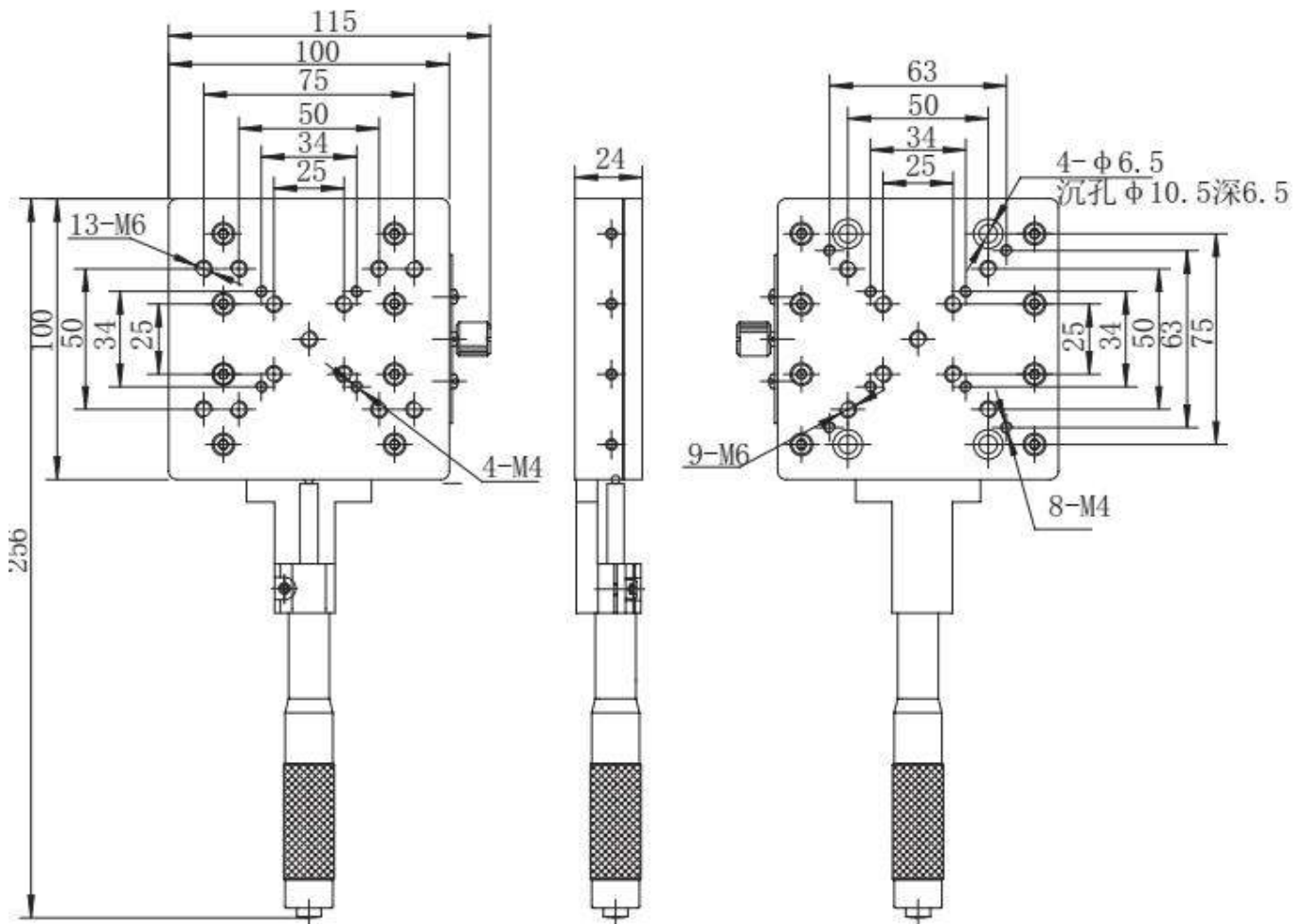
**Technical Specs:**

- Technical Specs:

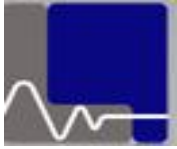
Model	LSSP-J-50VZ-01
Platform Size	100X100mm
Travel range	50mm
Mini Scaling	0.01mm
Sensitivity	0.002mm
Driving mode	Micrometer Screw
Load Capacity	40kg
Driving Position	Center
Net Weight	1.1kg



- Technical drawing







Jiangxi Liansheng Technology Co.,Ltd  
 Address: Room 402, No.1277, No. 95, Fushan Yi Lu, The Economic  
 Development Area of Xiaolan, Nanchang, Jiangxi, China  
 Tel: +8679188224426 Email: [sales2@opticaltable.cn](mailto:sales2@opticaltable.cn)  
 Web: [www.opticaltable.com](http://www.opticaltable.com) Contact: Grace Duan

**Linear Translation Stages**  
**With High Precision Crossed Roller Guide Rails**

**LSSP-J-50VZ-02**

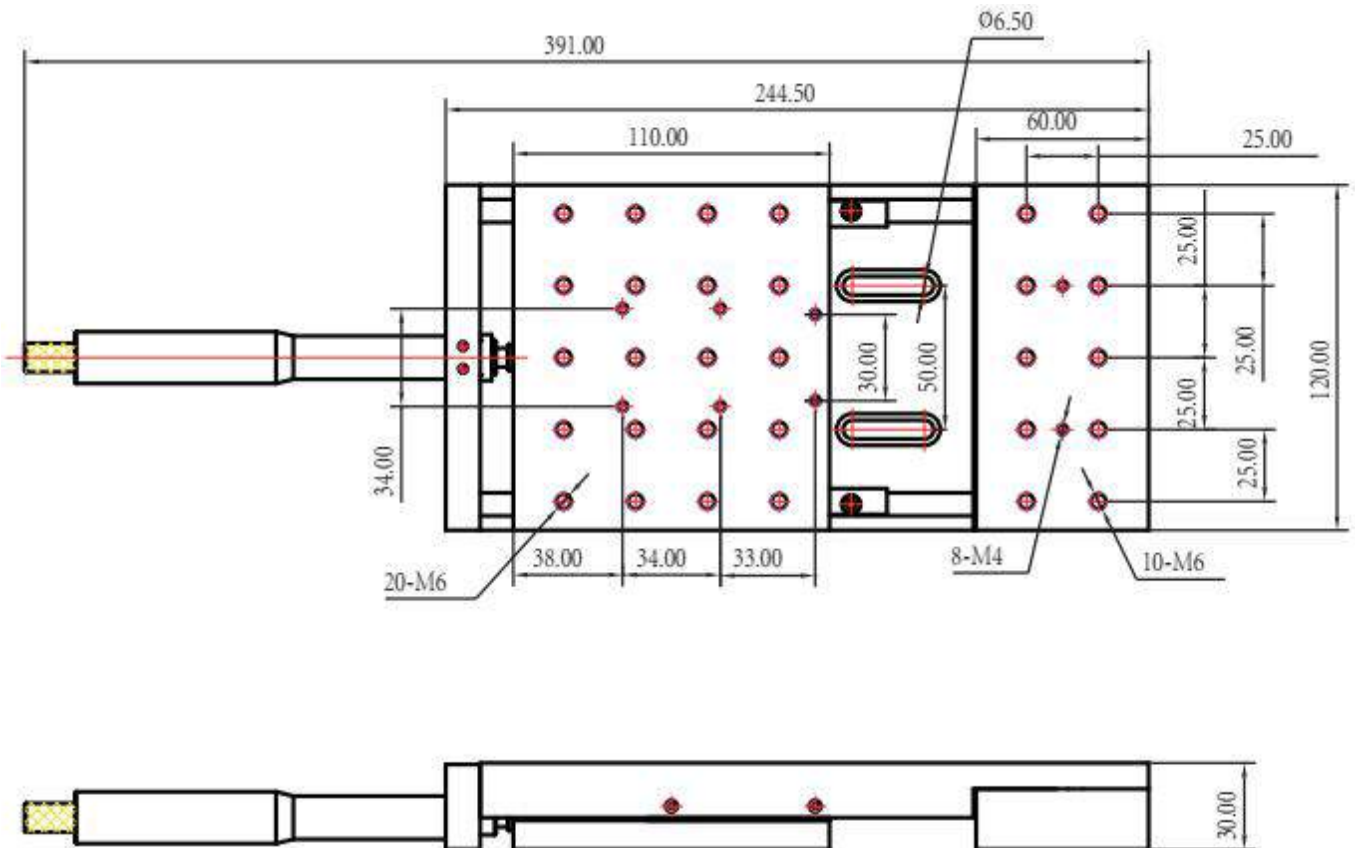
**Technical Specs:**

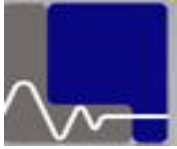
- Technical Specs:

Model	LSSP-J-50VZ-02
Platform Size	100X100mm
Travel range	50mm
Mini Scaling	0.01mm
Sensitivity	0.002mm
Driving mode	Micrometer Screw
Load Capacity	40kg
Driving Position	Center
Net Weight	1.1kg



- Technical drawing





Jiangxi Liansheng Technology Co.,Ltd  
 Address: Room 402, No.1277, No. 95, Fushan Yi Lu, The Economic  
 Development Area of Xiaolan, Nanchang, Jiangxi, China  
 Tel: +8679188224426 Email: [sales2@opticaltable.cn](mailto:sales2@opticaltable.cn)  
 Web:www.opticaltable.com Contact: Grace Duan

**Linear Translation Stages**

**With High Precision Crossed Roller Guide Rails**

**LSSP-J-50VC-01**

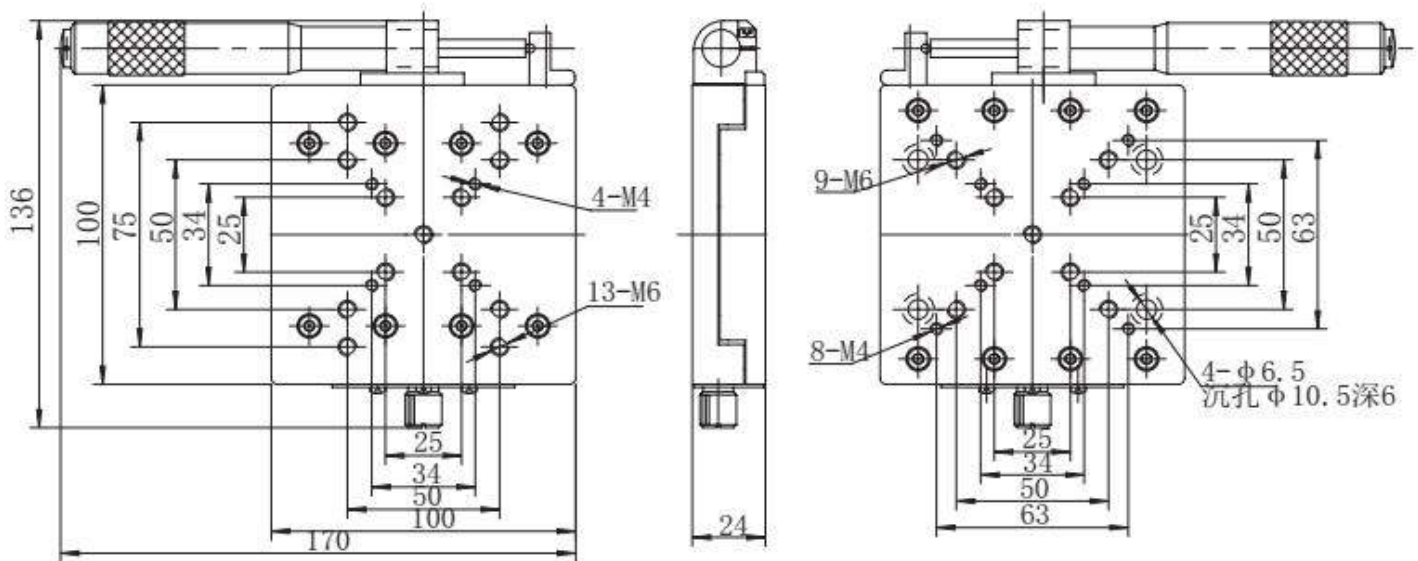
**Technical Specs:**

- Technical Specs:

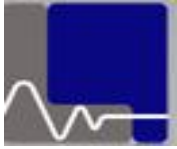


Model	LSSP-J-50VC-01
Platform Size	100X100mm
Travel range	50mm
Mini Scaling	0.01mm
Sensitivity	0.002mm
Driving mode	Micrometer Screw
Load Capacity	40kg
Driving Position	Side
Net Weight	1.1kg

- Technical drawing







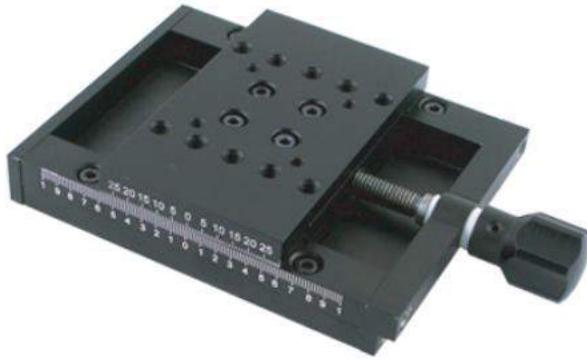
Jiangxi Liansheng Technology Co.,Ltd  
 Address: Room 402, No.1277, No. 95, Fushan Yi Lu, The Economic  
 Development Area of Xiaolan, Nanchang, Jiangxi, China  
 Tel: +8679188224426 Email: [sales2@opticaltable.cn](mailto:sales2@opticaltable.cn)  
 Web: [www.opticaltable.com](http://www.opticaltable.com) Contact: Grace Duan

**Linear Translation Stages**  
**With High Precision Dove-tail Guide Rails**

**LSSP-W-50S-01**

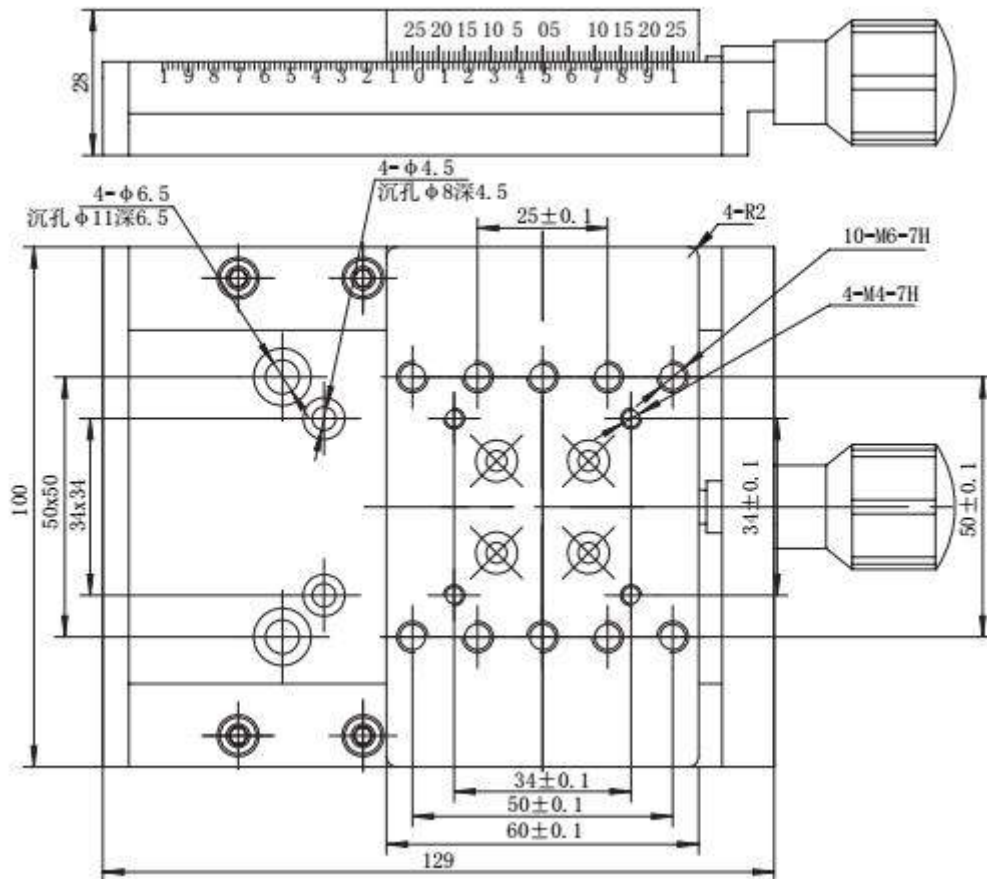
**Technical Specs:**

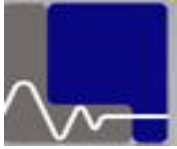
- Technical Specs:



Model	LSSP-W-50S-01
Platform Size	100X60mm
Travel range	50mm
Mini Adjustment	0.05mm
Driving mode	Fine threaded Screw
Load Capacity	15kg
Driving Position	Center
Net Weight	0.5kg

- Technical drawing





Jiangxi Liansheng Technology Co.,Ltd  
 Address: Room 402, No.1277, No. 95, Fushan Yi Lu, The Economic  
 Development Area of Xiaolan, Nanchang, Jiangxi, China  
 Tel: +8679188224426 Email: [sales2@opticaltable.cn](mailto:sales2@opticaltable.cn)  
 Web:www.opticaltable.com Contact: Grace Duan

**Linear Translation Stages**  
**With High Precision Dove-tail Guide Rails**

**LSSP-W-125S-01**

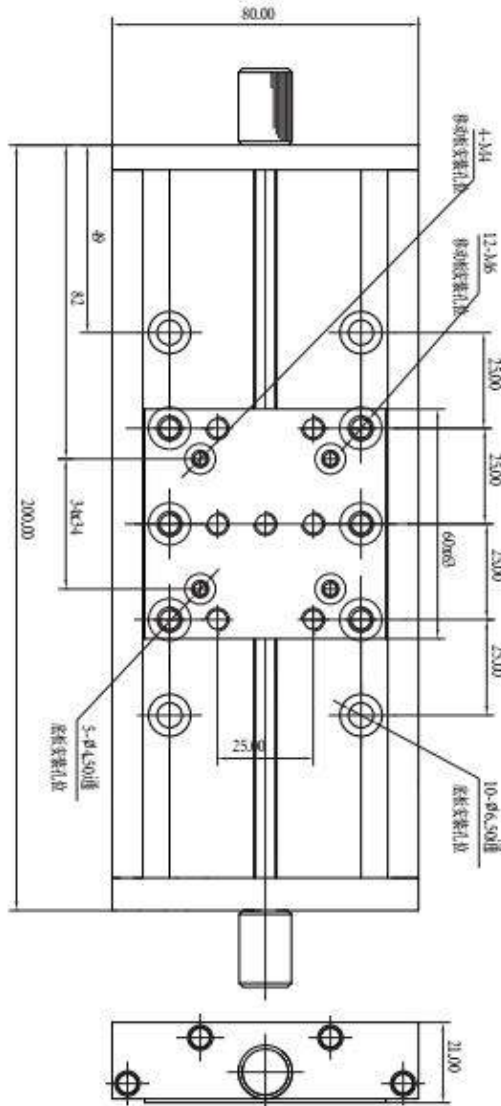
**Technical Specs:**

- Technical Specs:

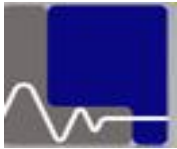


- Technical drawing

Model	LSSP-W-125S-01
Platform Size	63X60mm
Travel range	125mm
Mini Adjustment	0.05mm
Driving mode	Fine threaded Screw(Double Sides)
Load Capacity	15kg
Driving Position	Center
Net Weight	0.65kg







Jiangxi Liansheng Technology Co.,Ltd  
Address: Room 402, No.1277, No. 95, Fushan Yi Lu, The Economic  
Development Area of Xiaolan, Nanchang, Jiangxi, China  
Tel: +8679188224426 Email: [sales2@opticaltable.cn](mailto:sales2@opticaltable.cn)  
Web: [www.opticaltable.com](http://www.opticaltable.com) Contact: Grace Duan

### Linear Translation Stages

#### With High Precision Dove-tail Guide Rails

LSSP-W-125S-02

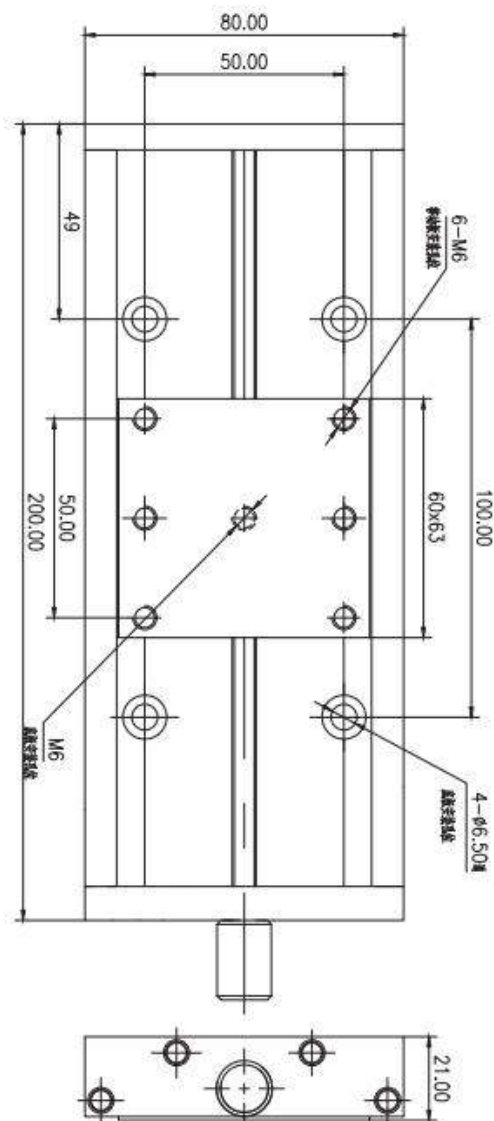
#### Technical Specs:

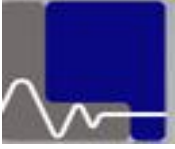
- Technical Specs:



- Technical drawing

Model	LSSP-W-125S-02
Platform Size	63X60mm
Travel range	125mm
Mini Adjustment	0.05mm
Driving mode	Fine threaded Screw(One Sides)
Load Capacity	15kg
Driving Position	Center
Net Weight	0.65kg





Jiangxi Liansheng Technology Co.,Ltd  
 Address: Room 402, No.1277, No. 95, Fushan Yi Lu, The Economic  
 Development Area of Xiaolan, Nanchang, Jiangxi, China  
 Tel: +8679188224426 Email: [sales2@opticaltable.cn](mailto:sales2@opticaltable.cn)  
 Web: [www.opticaltable.com](http://www.opticaltable.com) / Contact: Grace Duan

**Linear Translation Stages**  
**With High Precision Dove-tail Guide Rails**

**LSSP-W-75L-01**

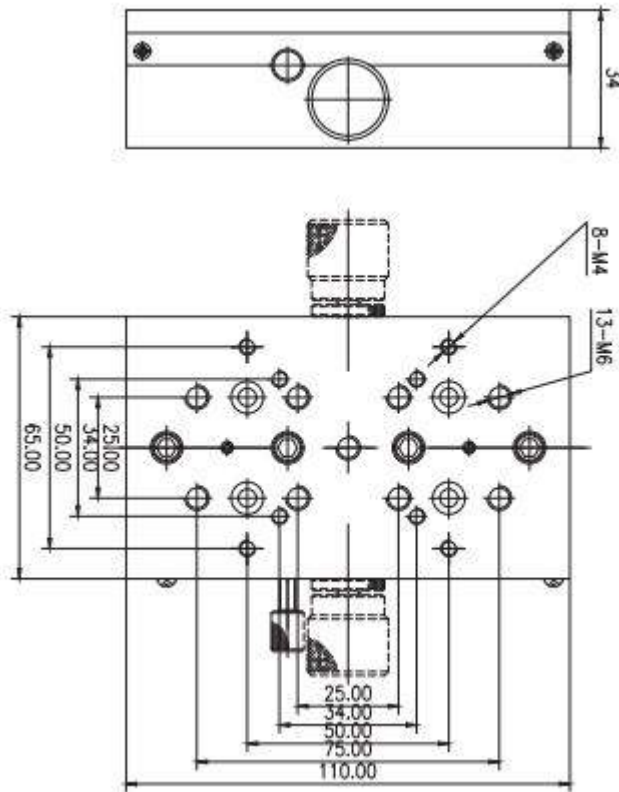
**Technical Specs:**

- Technical Specs:

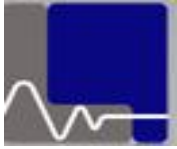


Model	LSSP-W-75L-01
Platform Size	110X65mm
Travel range	75mm
Mini Adjustment	0.1mm
Driving mode	Gear Wheel
Load Capacity	20kg
Driving Position	Center
Net Weight	0.85kg

- Technical drawing







Jiangxi Liansheng Technology Co.,Ltd  
Address: Room 402, No.1277, No. 95, Fushan Yi Lu, The Economic  
Development Area of Xiaolan, Nanchang, Jiangxi, China  
Tel: +8679188224426 Email: [sales2@opticaltable.cn](mailto:sales2@opticaltable.cn)  
Web: [www.opticaltable.com](http://www.opticaltable.com) Contact: Grace Duan

### Linear Translation Stages

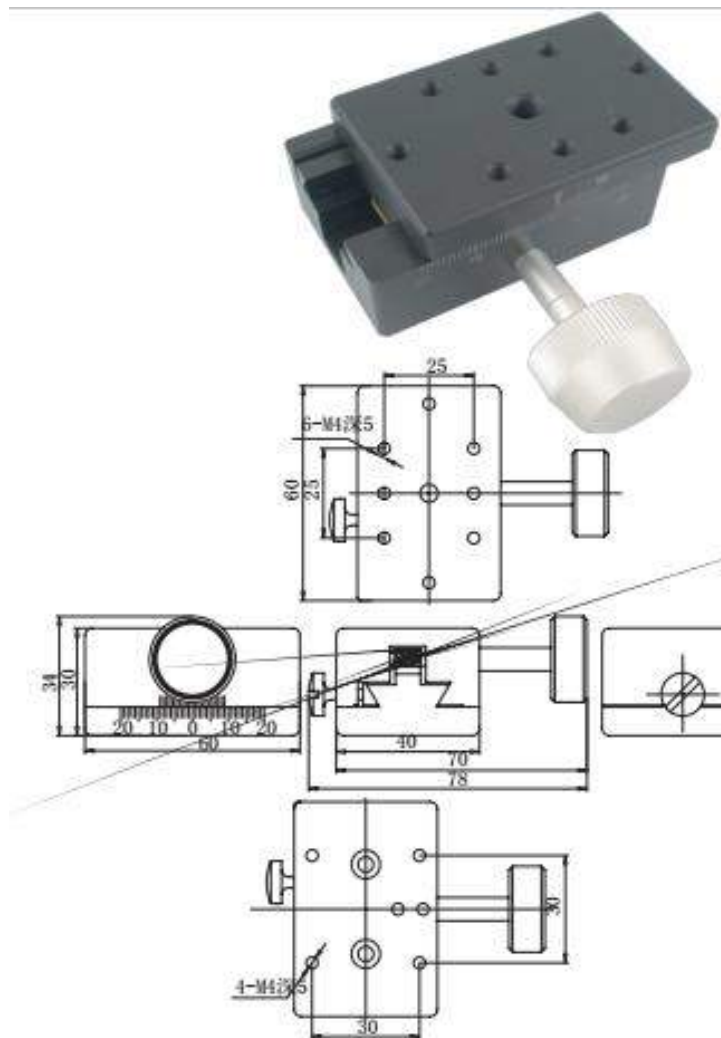
#### With High Precision Dove-tail Guide Rails

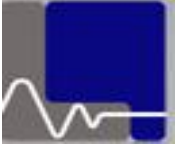
LSSP-W-40L-01

#### Technical Specs:

- Technical Specs:

Model	LSSP-W-40L-01
Platform Size	40X60mm
Travel range	40mm
Mini Adjustment	0.02mm
Driving mode	Gear Wheel
Load Capacity	5kg
Driving Position	Center
Net Weight	0.85kg





Jiangxi Liansheng Technology Co.,Ltd  
 Address: Room 402, No.1277, No. 95, Fushan Yi Lu, The Economic  
 Development Area of Xiaolan, Nanchang, Jiangxi, China  
 Tel: +8679188224426 Email: [sales2@opticaltable.cn](mailto:sales2@opticaltable.cn)

Website: [opticaltable.com](http://opticaltable.com) Contact: Grace Duan

**Linear Translation Stages**

**With High Precision Dove-tail Guide Rails**

**LSSP-W-80L-01**

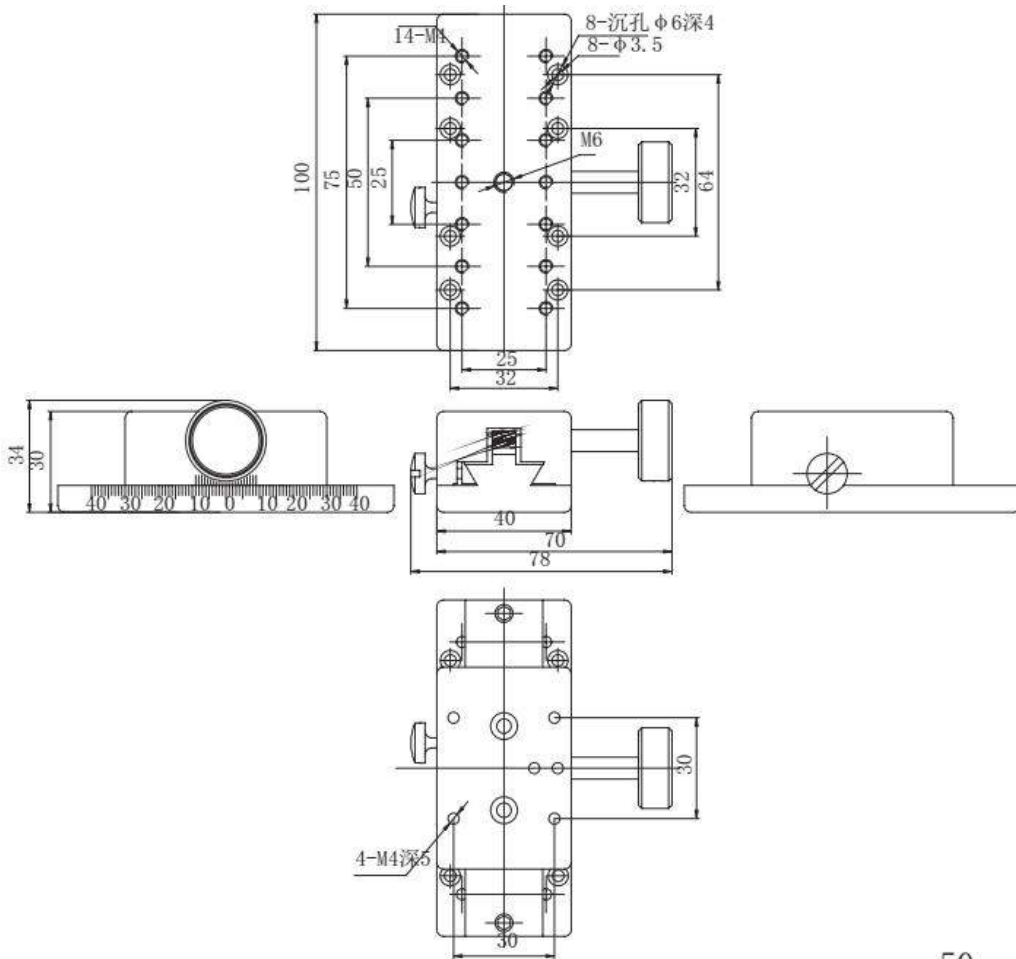
**Technical Specs:**

- Technical Specs:

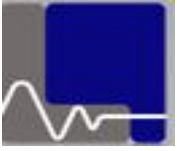


Model	LSSP-W-80L-01
Platform Size	40X100mm
Travel range	80mm
Mini Adjustment	0.02mm
Driving mode	Gear Wheel
Load Capacity	5kg
Driving Position	Center
Net Weight	0.5kg

- Technical drawing







Jiangxi Liansheng Technology Co.,Ltd  
 Address: Room 402, No.1277, No. 95, Fushan Yi Lu, The Economic  
 Development Area of Xiaolan, Nanchang, Jiangxi, China  
 Tel: +8679188224426 Email: [sales2@opticaltable.cn](mailto:sales2@opticaltable.cn)  
 Web: [www.opticaltable.com](http://www.opticaltable.com) Contact: Grace Duan

**Linear Translation Stages**  
**With High Precision Dove-tail Guide Rails**

**LSSP-W-120L-01**

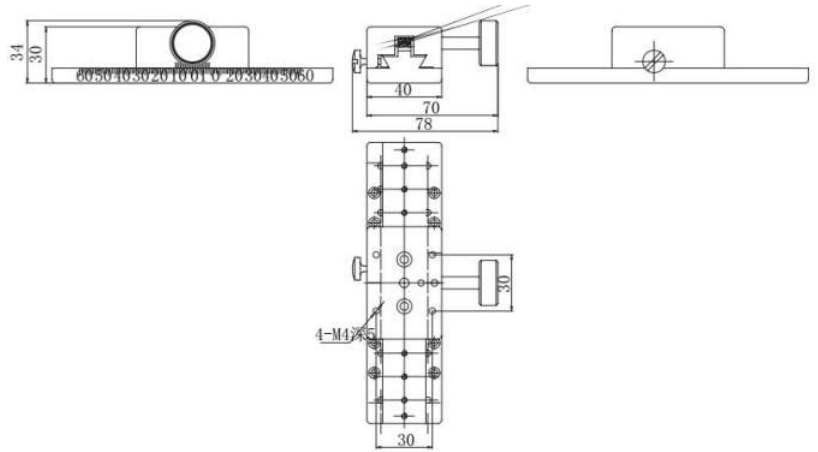
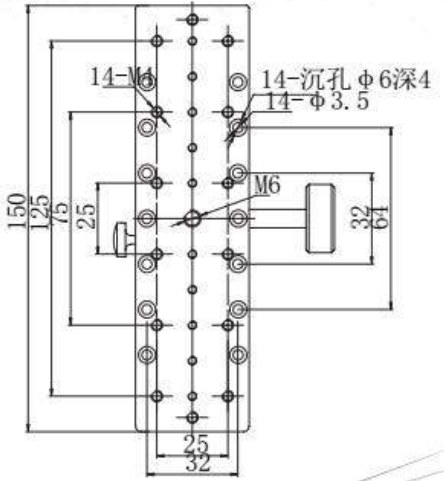
**Technical Specs:**

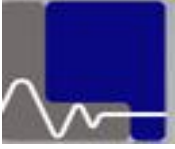
- Technical Specs:



Model	LSSP-W-120L-01
Platform Size	40X150mm
Travel range	120mm
Mini Adjustment	0.02mm
Driving mode	Gear Wheel
Load Capacity	5kg
Driving Position	Center
Net Weight	0.5kg

- Technical drawing





Jiangxi Liansheng Technology Co.,Ltd  
 Address: Room 402, No.1277, No. 95, Fushan Yi Lu, The Economic  
 Development Area of Xiaolan, Nanchang, Jiangxi, China  
 Tel: +8679188224426 Email: [sales2@opticaltable.cn](mailto:sales2@opticaltable.cn)  
 Web:www.opticaltable.com Contact: Grace Duan

## 2 . Manual Vertical Lab Jack Stages LSSS Series

### Manual Vertical Positioning Stage LSSS-5QV

**Product Name: Manual Lab Jack**

**Model number: LSSS-5QV**

**Product Features:**

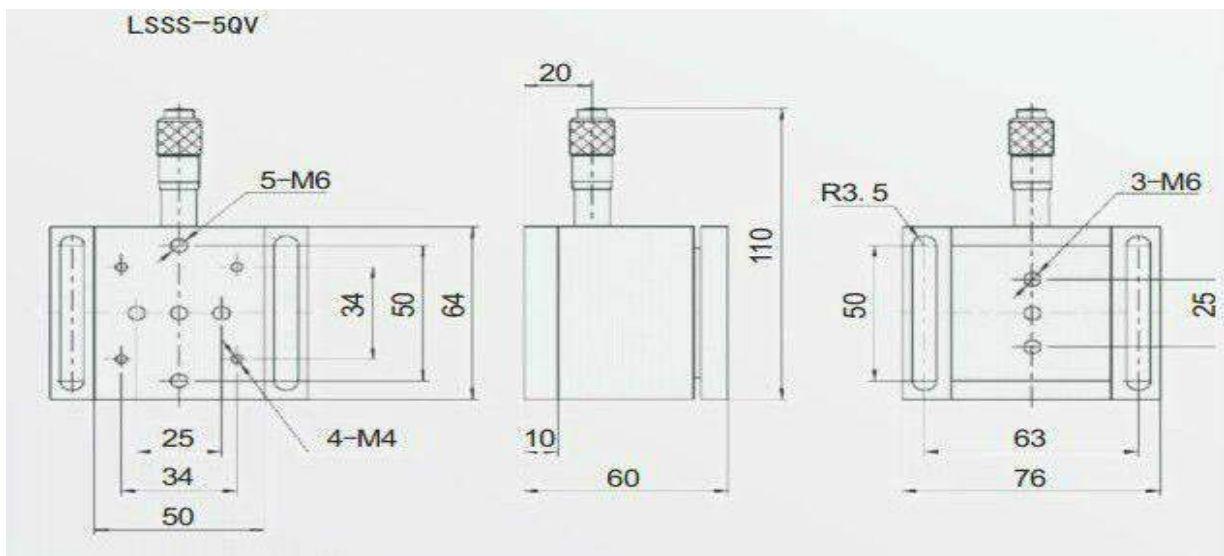
1. Wedged-shaped structure that improves the resolution and min. scale reading by twice.
2. Linear steel ball and supplementary V-shaped fine grinding steel rails to provide high accuracy and good loading capacity.
3. Micrometer head driving mode with quantitative scale reading.

**Technical Specs & Product Picture:**

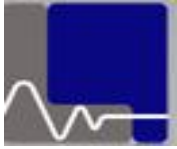


Travel Range	5mm
Accuracy	0.003mm
Min. Scale Reading:	0.005mm
Resolution:	0.001mm
Table Size:	65*50mm
Load Capacity:	10kg
Net Weight:	0.6kg

**Technical Drawings:**







Jiangxi Liansheng Technology Co.,Ltd  
 Address: Room 402, No.1277, No. 95, Fushan Yi Lu, The Economic  
 Development Area of Xiaolan, Nanchang, Jiangxi, China  
 Tel: +8679188224426 Email: [sales2@opticaltable.cn](mailto:sales2@opticaltable.cn)  
 Web:www.opticaltable.com Contact: Grace Duan

## Manual Vertical Positioning Stage LSSS-13XV

**Product Name: Manual Lab Jack**

**Model number: LSSS-13XV**

### Product Features:

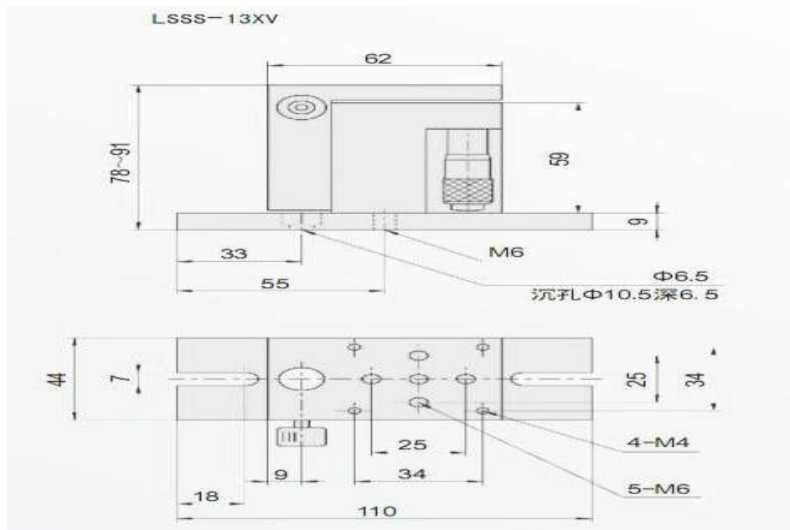
1. High quality linear ball bearing guide rails with redundantly-restrained positioning structure to provide stable movement and excellent accuracy.
2. Outlaid micrometer head for direct driving provide convenient operating and fixed scaling reading.
3. Standard mounting holes for easy connection with holders. Designed 12mm diameter holes especially to match with LSZG type holder produced by the company.

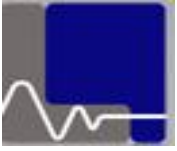
### Technical Specs & Product Picture:



Drive Mode	Micrometer Screw
Travel range	Z Axis: 13mm
Platform Dimension	46X62mm
Accuracy	0.005mm
Load Capacity	2kg
Net Weight	0.6kg
Guide Rail	Crossed Roller and V shaped Fine steel rod

### Technical Drawings:





Jiangxi Liansheng Technology Co.,Ltd  
 Address: Room 402, No.1277, No. 95, Fushan Yi Lu, The Economic  
 Development Area of Xiaolan, Nanchang, Jiangxi, China  
 Tel: +8679188224426 Email: [sales2@opticaltable.cn](mailto:sales2@opticaltable.cn)  
 Web:www.opticaltable.com Contact: Grace Duan

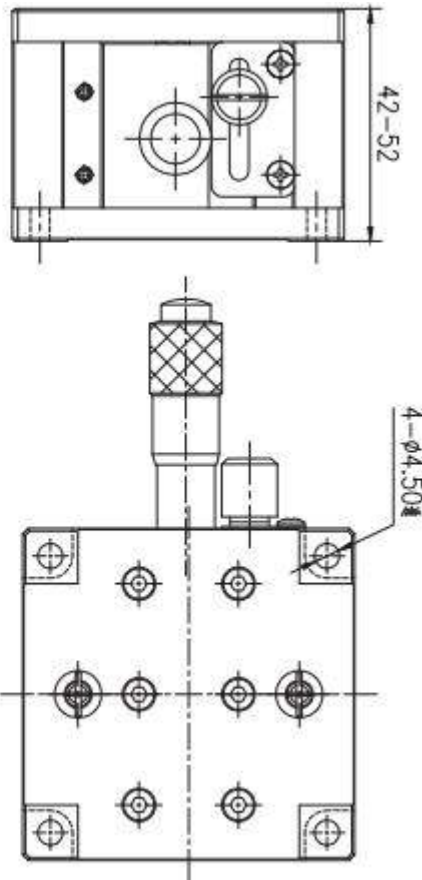
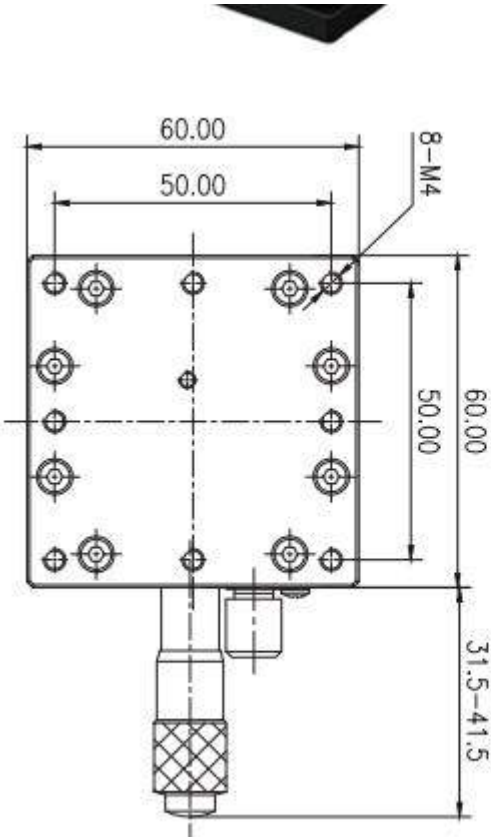
**Manual Vertical Lab Jack Stages LSSS-J-VS Series**

**Manual Vertical Positioning Stage LSSS-J-10VS-60**

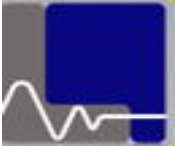


Drive Mode	High Precision Micrometer Screw
Travel range	Z Axis: 10 mm
Platform Dimension	60*60mm
Accuracy	0.02mm
Load Capacity	6kg
Net Weight	0.4kg

**Technical Drawings LSSS-J-10VS-60**







Jiangxi Liansheng Technology Co.,Ltd  
Address: Room 402, No.1277, No. 95, Fushan Yi Lu, The Economic  
Development Area of Xiaolan, Nanchang, Jiangxi, China  
Tel: +8679188224426 Email: [sales2@opticaltable.cn](mailto:sales2@opticaltable.cn)  
Web: [www.opticaltable.com](http://www.opticaltable.com) Contact: Grace Duan

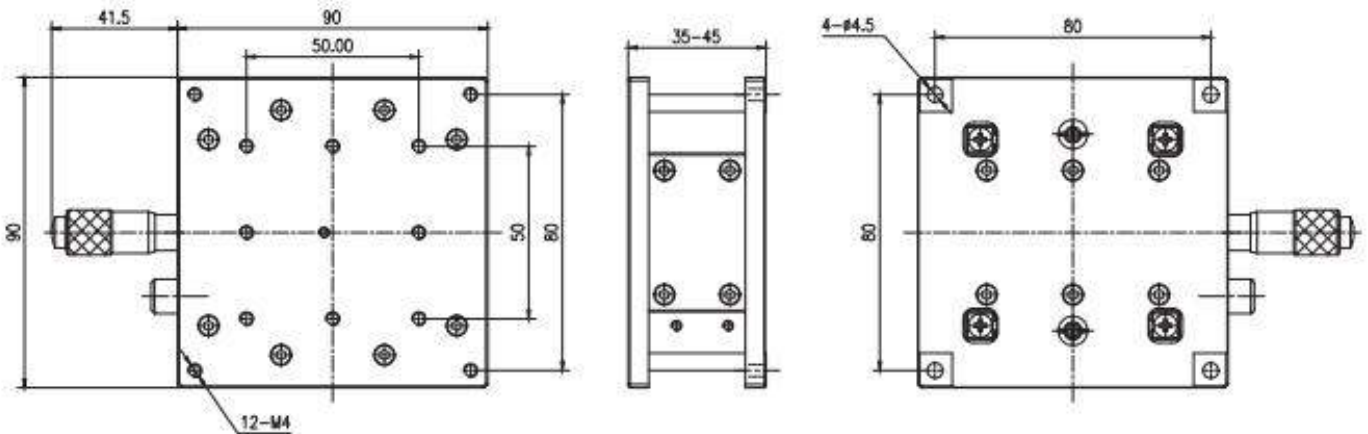
### Manual Vertical Lab Jack Stages LSSS-J-VS Series

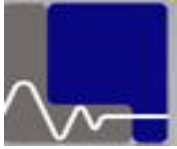
### Manual Vertical Positioning Stage LSSS-J-10VS-90



Drive Mode	High Precision Micrometer Screw
Travel range	Z Axis: 10 mm
Platform Dimension	90*90mm
Accuracy	0.02mm
Load Capacity	9kg
Net Weight	0.6kg

### Technical Drawings LSSS-J-10VS-90





Jiangxi Liansheng Technology Co.,Ltd  
Address: Room 402, No.1277, No. 95, Fushan Yi Lu, The Economic  
Development Area of Xiaolan, Nanchang, Jiangxi, China  
Tel: +8679188224426 Email: [sales2@opticaltable.cn](mailto:sales2@opticaltable.cn)  
Web: [www.opticaltable.com](http://www.opticaltable.com) Contact: Grace Duan

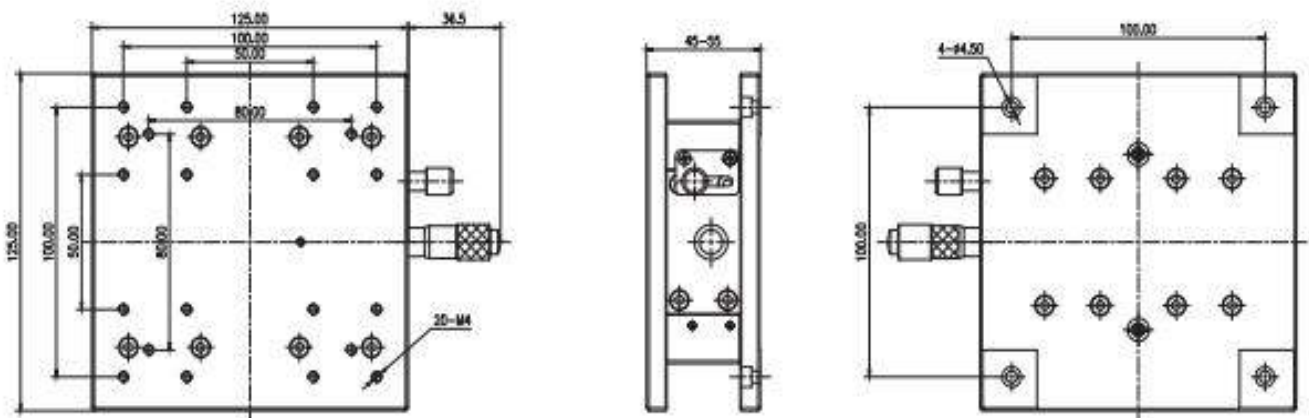
## Manual Vertical Lab Jack Stages LSSS-J-VS Series

### Manual Vertical Positioning Stage LSSS-J-10VS-125

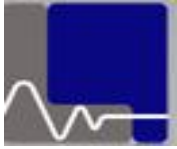


Drive Mode	High Precision Micrometer Screw
Travel range	Z Axis: 10 mm
Platform Dimension	125*125mm
Accuracy	0.02mm
Load Capacity	15kg
Net Weight	1.4kg

### Technical Drawings LSSS-J-10VS-125







Jiangxi Liansheng Technology Co.,Ltd  
 Address: Room 402, No.1277, No. 95, Fushan Yi Lu, The Economic  
 Development Area of Xiaolan, Nanchang, Jiangxi, China  
 Tel: +8679188224426 Email: [sales2@opticaltable.cn](mailto:sales2@opticaltable.cn)  
 Web: [www.opticaltable.com](http://www.opticaltable.com) Contact: Grace Duan

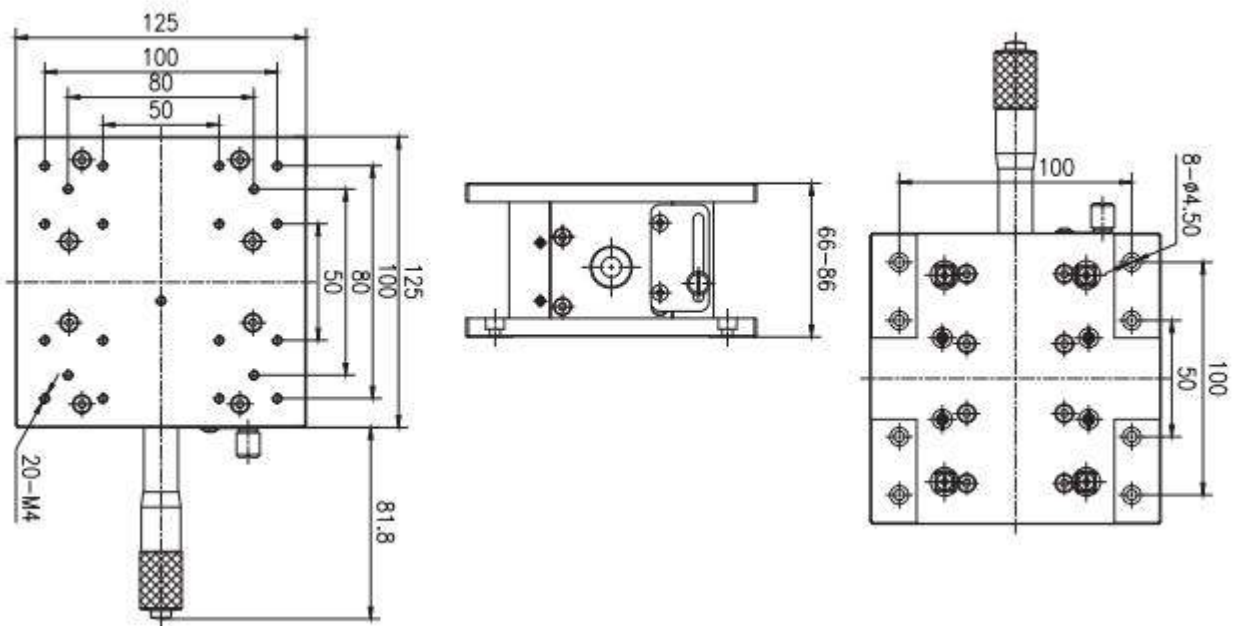
## Manual Vertical Lab Jack Stages LSSS-J-VS Series

### Manual Vertical Positioning Stage LSSS-J-20VS-125

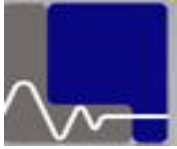


Drive Mode	High Precision Micrometer Screw
Travel range	Z Axis: 20 mm
Platform Dimension	125*125mm
Accuracy	0.03mm
Load Capacity	15kg
Net Weight	2kg

### Technical Drawings LSSS-J-20VS-125



## Manual Vertical Lab Jack Stages LSSS-JS Series



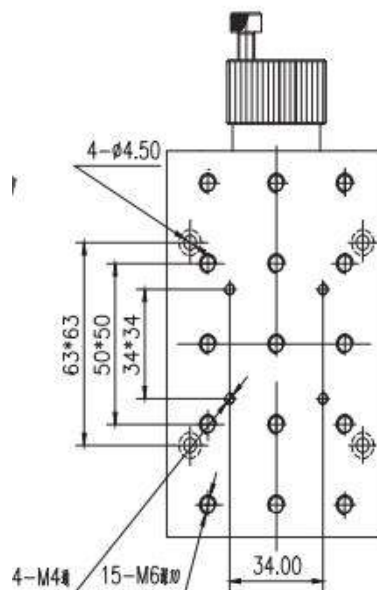
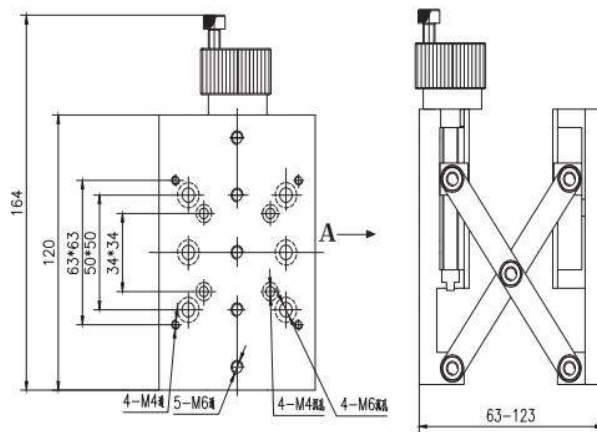
Jiangxi Liansheng Technology Co.,Ltd  
 Address: Room 402, No.1277, No. 95, Fushan Yi Lu, The Economic  
 Development Area of Xiaolan, Nanchang, Jiangxi, China  
 Tel: +8679188224426 Email: [sales2@opticaltable.cn](mailto:sales2@opticaltable.cn)  
 Web:www.opticaltable.com Contact: Grace Duan

### Manual Vertical Positioning Stage LSSS-60JS

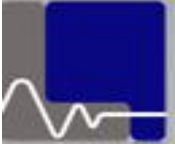


Drive Mode	Hand wheel with find threaded rail
Travel range	Z Axis: 60 mm
Platform Dimension	120*80mm
Accuracy	0.1mm
Load Capacity	20kg
Net Weight	1.2kg

### Technical Drawings LSSS-60JS







Jiangxi Liansheng Technology Co.,Ltd  
 Address: Room 402, No.1277, No. 95, Fushan Yi Lu, The Economic  
 Development Area of Xiaolan, Nanchang, Jiangxi, China  
 Tel: +8679188224426 Email: [sales2@opticaltable.cn](mailto:sales2@opticaltable.cn)  
 Web: [www.opticaltable.com](http://www.opticaltable.com) Contact: Grace Duan

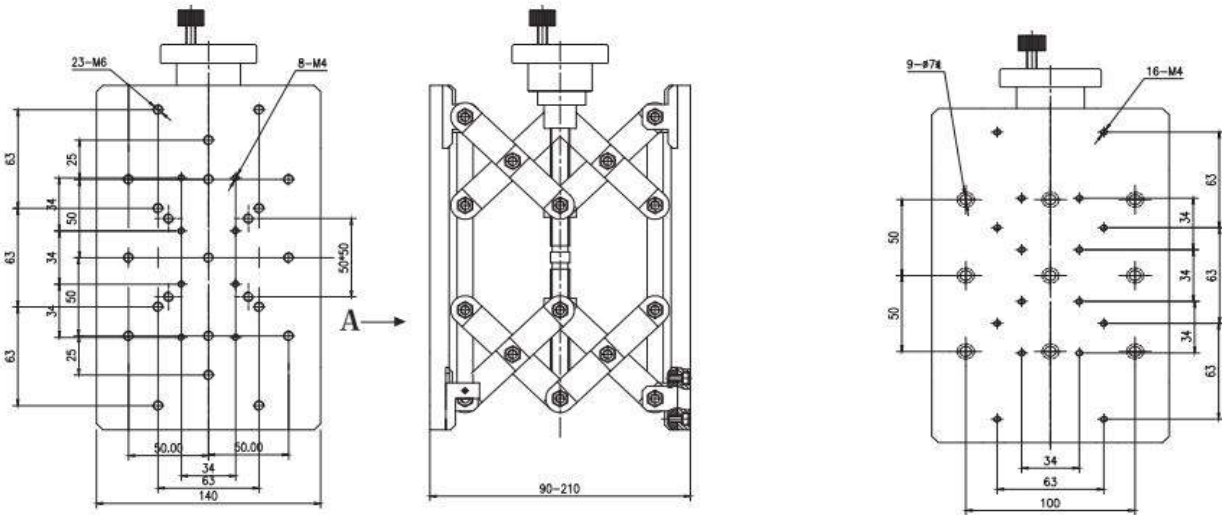
**Manual Vertical Lab Jack Stages LSSS-JS Series**

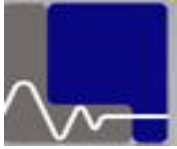
**Manual Vertical Positioning Stage LSSS-120JS**



Drive Mode	Hand wheel with find threaded rail
Travel range	Z Axis: 120 mm
Platform Dimension	140*220mm
Accuracy	0.1mm
Load Capacity	25kg
Net Weight	4.5kg

**Technical Drawings LSSS-120JS**





Jiangxi Liansheng Technology Co.,Ltd  
Address: Room 402, No.1277, No. 95, Fushan Yi Lu, The Economic  
Development Area of Xiaolan, Nanchang, Jiangxi, China  
Tel: +8679188224426 Email: [sales2@opticaltable.cn](mailto:sales2@opticaltable.cn)  
Web: [www.opticaltable.com](http://www.opticaltable.com) Contact: Grace Duan

### 3. Manual Rotary Stages (Liansheng Optics Series)

#### Manual Rotary Stages

##### LSSH-60TV-A

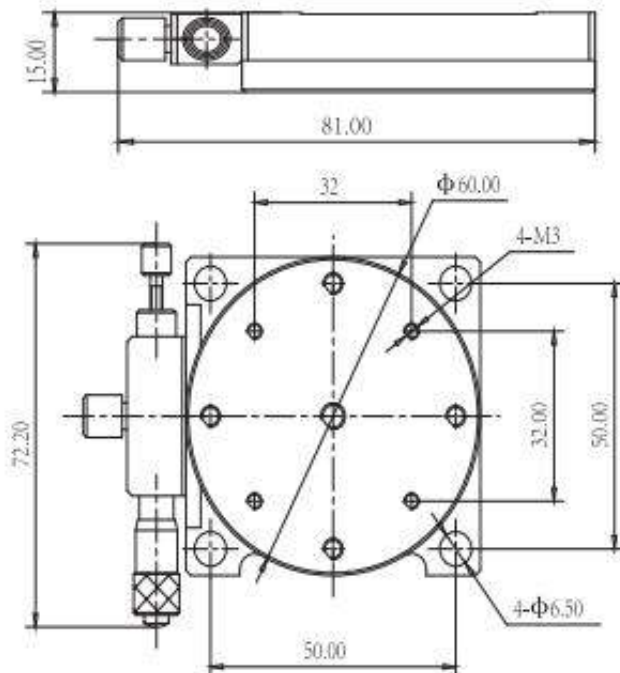
##### Technical Specs:

- Technical Specs:

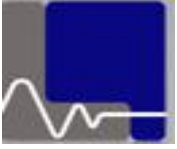


Model	LSSH-60TV-A
Platform Diameter	60mm
Coarse Adjustment	360 degree
Fine Adjustment	$\pm 5$ degree
Sensitivity	0.002mm
Mini Scaling	10'
Load Capacity	3kg
Driving Mode	Micrometer screw
Net Weight	0.16kg

- Technical drawing







Jiangxi Liansheng Technology Co.,Ltd  
Address: Room 402, No.1277, No. 95, Fushan Yi Lu, The Economic  
Development Area of Xiaolan, Nanchang, Jiangxi, China  
Tel: +8679188224426 Email: [sales2@opticaltable.cn](mailto:sales2@opticaltable.cn)  
Web: [www.opticaltable.com](http://www.opticaltable.com) Contact: Grace Duan

### Manual Rotary Stages

#### LSSH-90TV-A

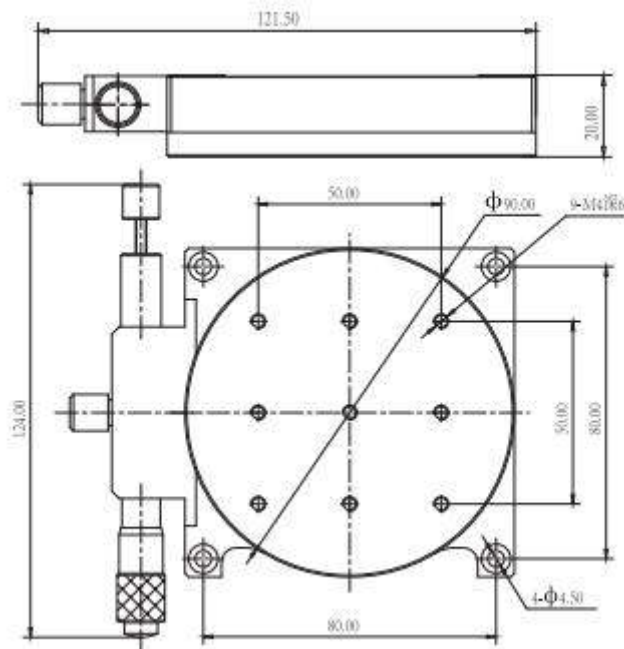
#### Technical Specs:

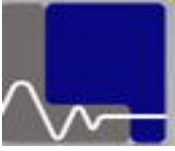
- Technical Specs:



Model	LSSH-90TV-A
Platform Diameter	90mm
Coarse Adjustment	360 degree
Fine Adjustment	±5 degree
Sensitivity	0.002mm
Mini Scaling	5'
Load Capacity	3kg
Driving Mode	Micrometer screw
Net Weight	0.5kg

- Technical drawing





Jiangxi Liansheng Technology Co.,Ltd  
Address: Room 402, No.1277, No. 95, Fushan Yi Lu, The Economic  
Development Area of Xiaolan, Nanchang, Jiangxi, China  
Tel: +8679188224426 Email: [sales2@opticaltable.cn](mailto:sales2@opticaltable.cn)  
Web: [www.opticaltable.com](http://www.opticaltable.com) Contact: Grace Duan

**Manual Rotary Stages**

**LSSH-125TV-A**

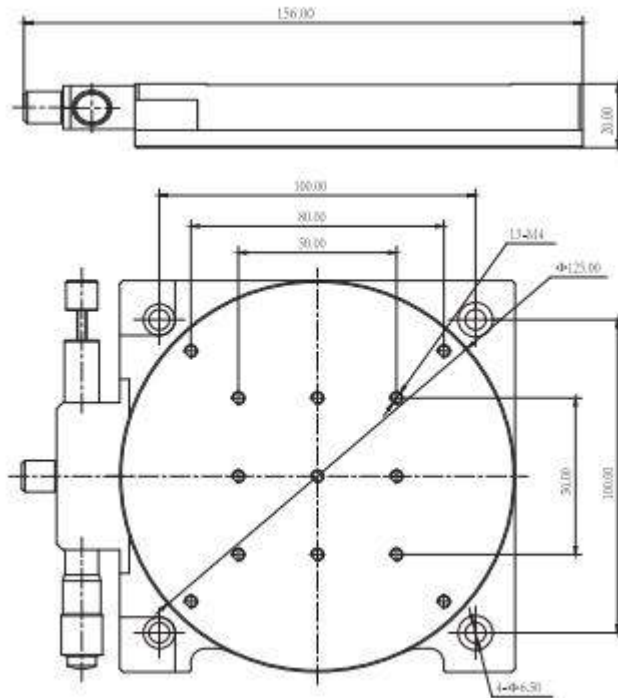
**Technical Specs:**

- Technical Specs:

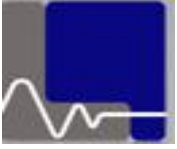


Model	LSSH-125TV-A
Platform Diameter	125mm
Coarse Adjustment	360 degree
Fine Adjustment	±5 degree
Sensitivity	0.002mm
Mini Scaling	5'
Load Capacity	4kg
Driving Mode	Micrometer screw
Net Weight	0.9kg

- Technical drawing







Jiangxi Liansheng Technology Co.,Ltd  
 Address: Room 402, No.1277, No. 95, Fushan Yi Lu, The Economic  
 Development Area of Xiaolan, Nanchang, Jiangxi, China  
 Tel: +8679188224426 Email: [sales2@opticaltable.cn](mailto:sales2@opticaltable.cn)  
 Web: [www.opticaltable.com](http://www.opticaltable.com) Contact: Grace Duan

**Manual Rotary Stages**

**LSSH-82TS-B**

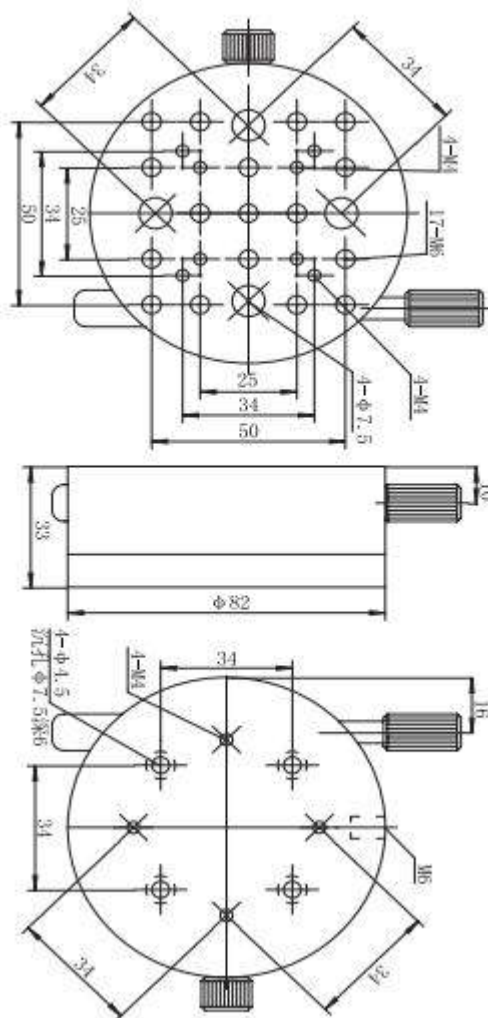
**Technical Specs:**

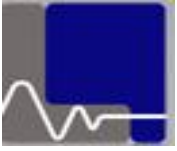
- Technical Specs:



Model	LSSH-82TS-B
Platform Diameter	82mm
Coarse Adjustment	360 degree
Fine Adjustment	± 10 degree
Mini Scaling	5'
Load Capacity	5kg
Driving Mode	Threaded screw
Net Weight	0.5kg

- Technical drawing





Jiangxi Liansheng Technology Co.,Ltd  
 Address: Room 402, No.1277, No. 95, Fushan Yi Lu, The Economic  
 Development Area of Xiaolan, Nanchang, Jiangxi, China  
 Tel: +8679188224426 Email: [sales2@opticaltable.cn](mailto:sales2@opticaltable.cn)  
 Web: [www.opticaltable.com](http://www.opticaltable.com) Contact: Grace Duan

**Manual Rotary Stages**

**LSSH-73TS-B**

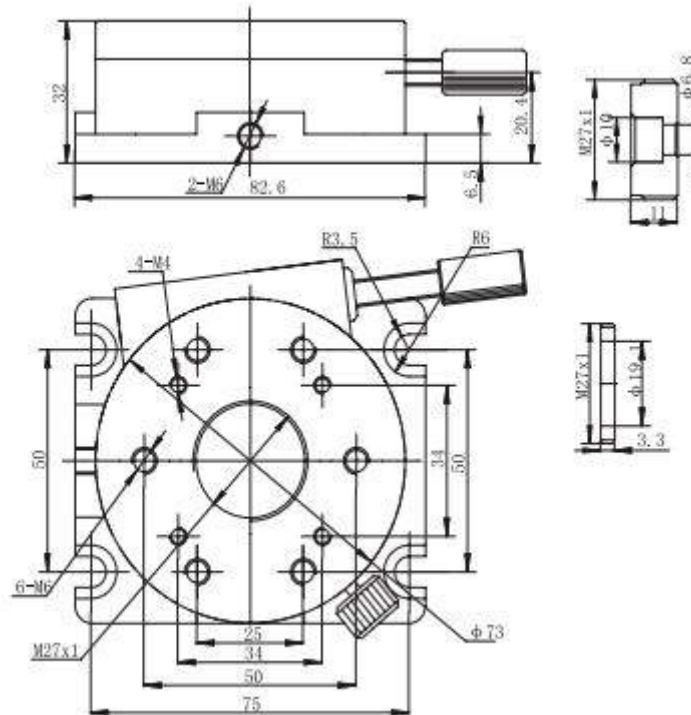
**Technical Specs:**

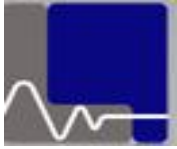
- Technical Specs:



Model	LSSH-73TS-B
Platform Diameter	73mm
Coarse Adjustment	360 degree
Fine Adjustment	± 3 degree
Mini Scaling	1'
Load Capacity	5kg
Driving Mode	Threaded screw
Net Weight	0.35kg
Center Aperture	M27X1

- Technical drawing





Jiangxi Liansheng Technology Co.,Ltd  
 Address: Room 402, No.1277, No. 95, Fushan Yi Lu, The Economic  
 Development Area of Xiaolan, Nanchang, Jiangxi, China  
 Tel: +8679188224426 Email: [sales2@opticaltable.cn](mailto:sales2@opticaltable.cn)  
 Web:www.opticaltable.com Contact: Grace Duan

**Manual Rotary Stages**

**Model: LSSH-100WS**

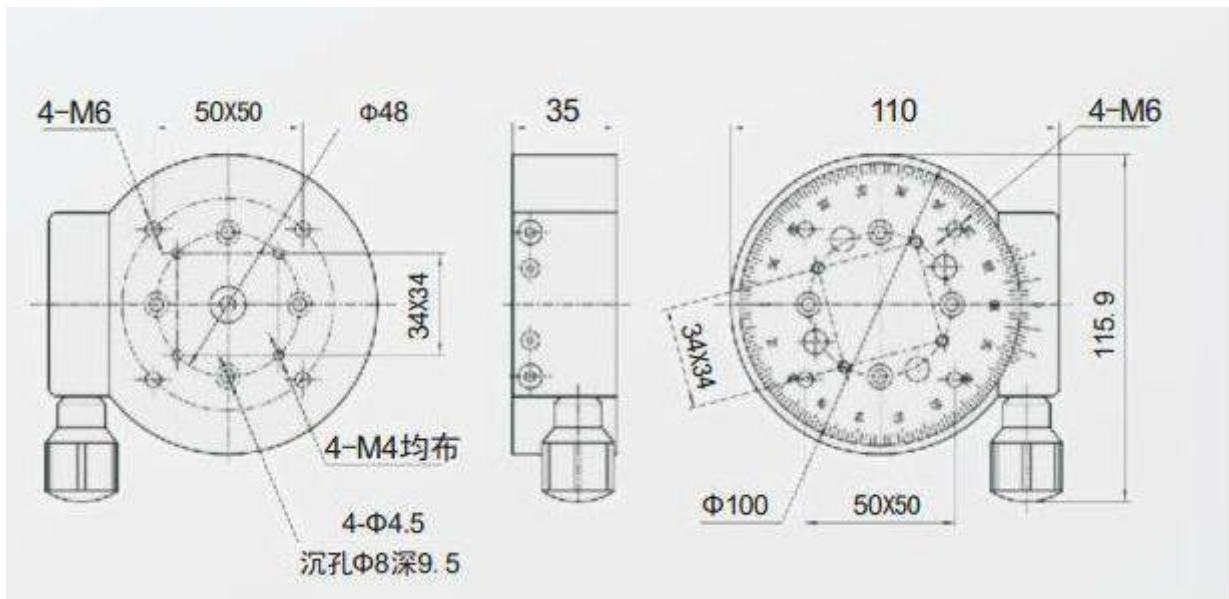
**Product Features:**

- Platform 360° rotary
- Standard mounting holes
- High precision gear worm transmission mechanism
- Scaling for easy positioning
- Screw hand wheel/knob with 1:90 transmission ratio(1 full rotation of hand knob = 4° of platform rotation).
- **Technical Specs:**

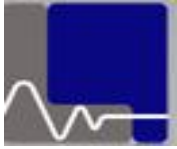


Model	LSSH-100WS
Platform Diameter	100mm
Coarse Adjustment	360°
Fine Adjustment	±2°
Mini Scale Reading	2'
Load Capacity	15kg
Net Weight	0.5kg
Mounting Holes	M6 & M4

● **Technical Drawing:**







Jiangxi Liansheng Technology Co.,Ltd  
 Address: Room 402, No.1277, No. 95, Fushan Yi Lu, The Economic  
 Development Area of Xiaolan, Nanchang, Jiangxi, China  
 Tel: +8679188224426 Email: [sales2@opticaltable.cn](mailto:sales2@opticaltable.cn)  
 Web: [www.opticaltable.com](http://www.opticaltable.com) Contact: Grace Duan

#### 4. Manual Goniometer Stages (Liansheng Optics Series)

##### Linear Goniometer Stages

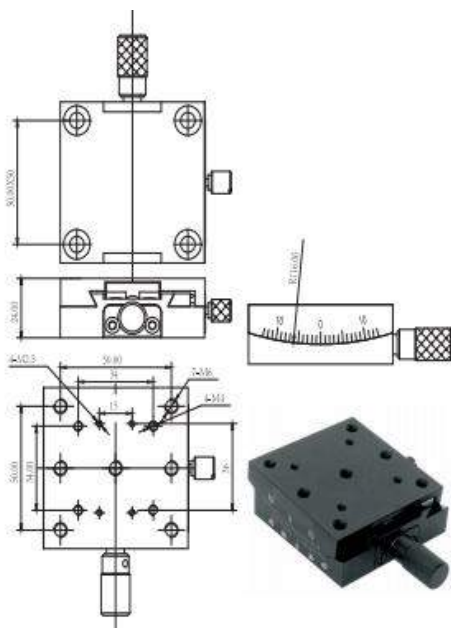
LSSJ-01-10WW LSSJ-01-15WW

##### Technical Specs:

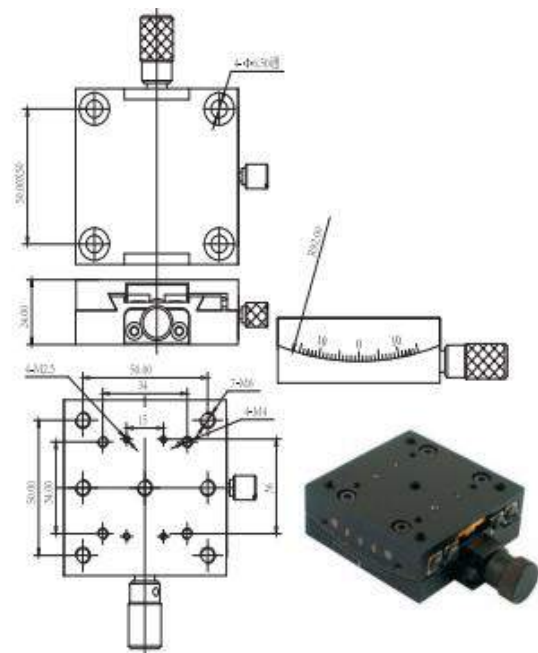
- Technical Specs:

Model	LSSJ-01-10WW	LSSJ-01-15WW
Platform Size	65x65mm	65x65mm
Angle Adjustment Range	$\pm 10^\circ$	$\pm 15^\circ$
Driving Mode	worm gear	worm gear
Guide Rail	Dove Tail	Dove Tail
Mini Scaling	$1^\circ$	$1^\circ$
Axis Center Height	116mm	76mm
Load Capacity	6kg	6kg
Net Weight	0.48kg	0.46kg

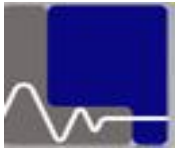
- Technical Drawing & Product Pictures:



LSSJ-01-10WW



LSSJ-01-15WW



Jiangxi Liansheng Technology Co.,Ltd  
 Address: Room 402, No.1277, No. 95, Fushan Yi Lu, The Economic  
 Development Area of Xiaolan, Nanchang, Jiangxi, China  
 Tel: +8679188224426 Email: [sales2@opticaltable.cn](mailto:sales2@opticaltable.cn)  
 Web: [www.opticaltable.com](http://www.opticaltable.com) Contact: Grace Duan

## Manual Goniometer & Tilting Stages (Liansheng Optics Series)

### Linear Goniometer Stages

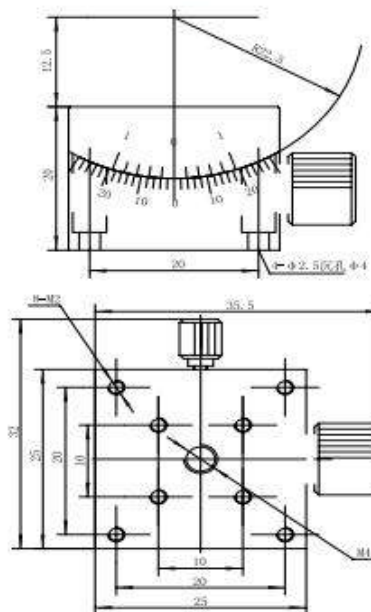
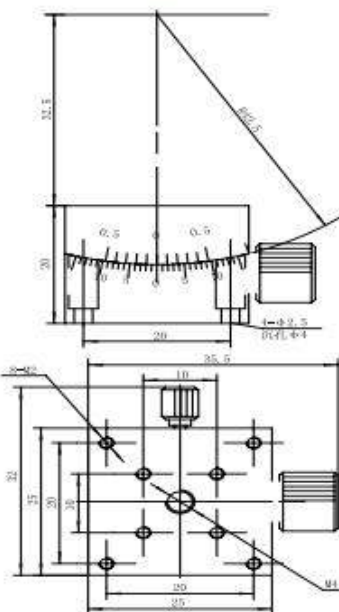
LSSJ-02-15WW LSSJ-02-30WW

#### Technical Specs:

- Technical Specs:

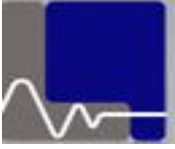
Model	LSSJ-02-15WW	LSSJ-02-30WW
Platform Size	25X25mm	25X25mm
Angle Adjustment Range	$\pm 15^\circ$	$\pm 30^\circ$
Driving Mode	Worm gear	Worm Gear
Guide Rail	Dove Tail	Dove Tail
Mini Scaling	$1^\circ$	$2^\circ$
Axis Center Height	32.5mm	12.5mm
Load Capacity	2kg	2kg
Net Weight	0.21kg	0.22kg

- Technical Drawing & Product Pictures:



LSSJ-02-15WW

LSSJ-02-30WW



Jiangxi Liansheng Technology Co.,Ltd  
 Address: Room 402, No.1277, No. 95, Fushan Yi Lu, The Economic  
 Development Area of Xiaolan, Nanchang, Jiangxi, China  
 Tel: +8679188224426 Email: [sales2@opticaltable.cn](mailto:sales2@opticaltable.cn)  
 Web: [www.opticaltable.com](http://www.opticaltable.com) Contact: Grace Duan

**Manual Goniometer & Tilting Stages (Liansheng Optics Series)**

**Linear Goniometer Stages**

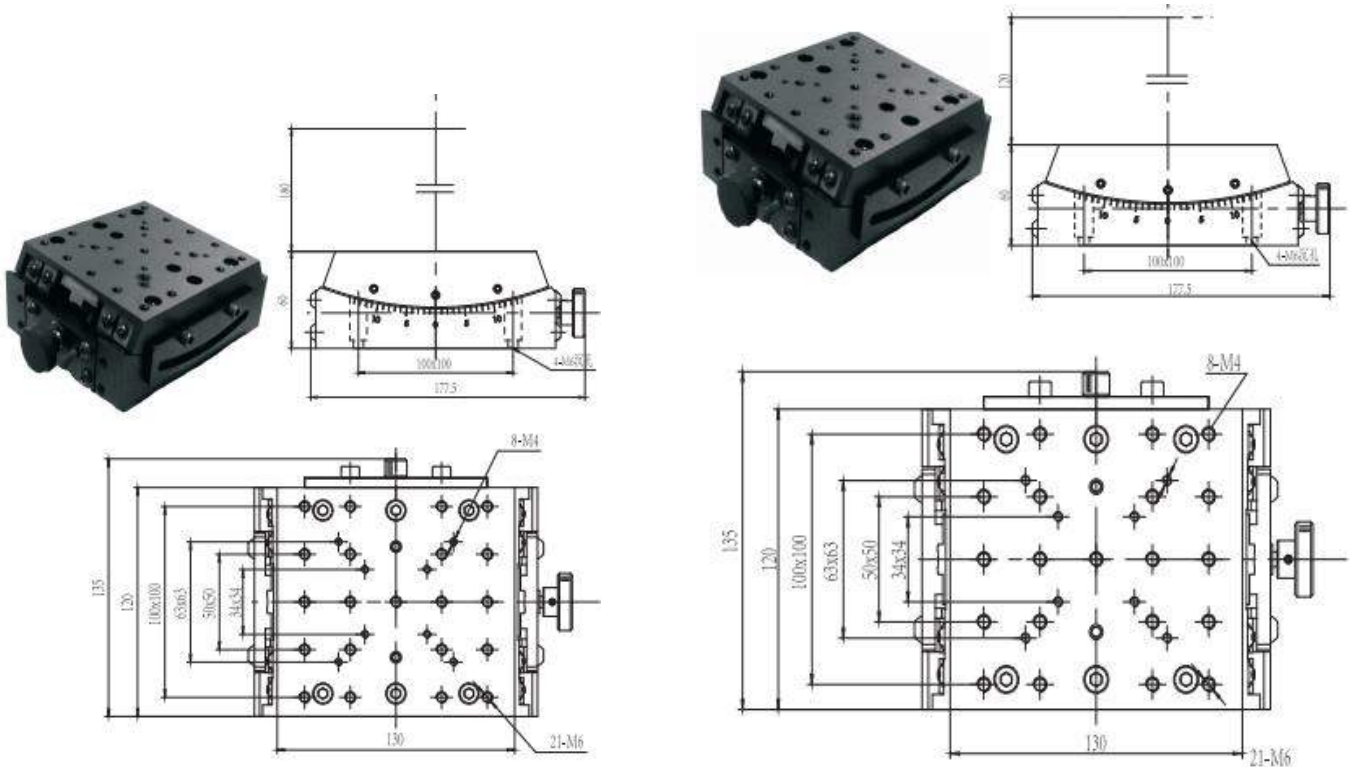
**LSSJ-03-10WW LSSJ-03-15WW**

**Technical Specs:**

- Technical Specs:

Model	LSSJ-03-10WW	LSSJ-03-15WW
Platform Size	120X130mm	120X130mm
Angle Adjustment Range	± 10°	± 15°
Driving Mode	Worm Gear	Round roller Ball
Guide Rail	Round Roller Ball	Round Roller Ball
Mini Scaling	1°	1°
Axis Center Height	180mm	120mm
Load Capacity	40kg	40kg
Net Weight	3.5kg	3.5kg

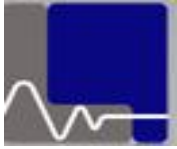
- Technical Drawing & Product Pictures:



LSSJ-03-10WW

LSSJ-03-15WW





Jiangxi Liansheng Technology Co.,Ltd  
 Address: Room 402, No.1277, No. 95, Fushan Yi Lu, The Economic  
 Development Area of Xiaolan, Nanchang, Jiangxi, China  
 Tel: +8679188224426 Email: [sales2@opticaltable.cn](mailto:sales2@opticaltable.cn)  
 Web: [www.opticaltable.com](http://www.opticaltable.com) Contact: Grace Duan

## Manual Goniometer & Tilting Stages (Liansheng Optics Series)

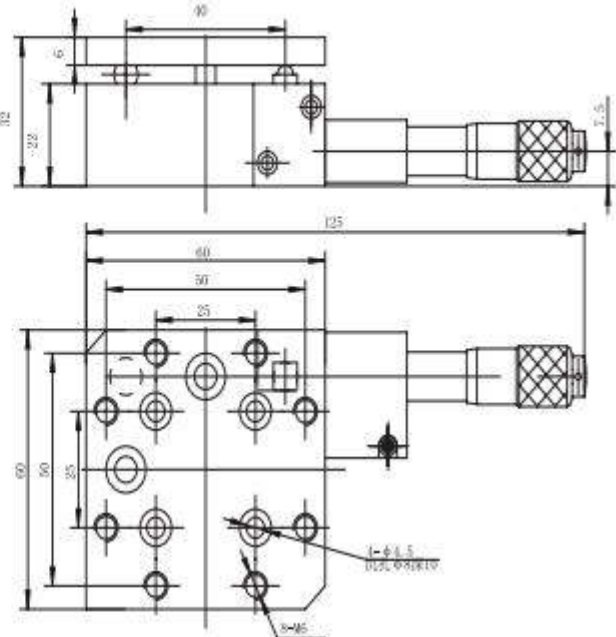
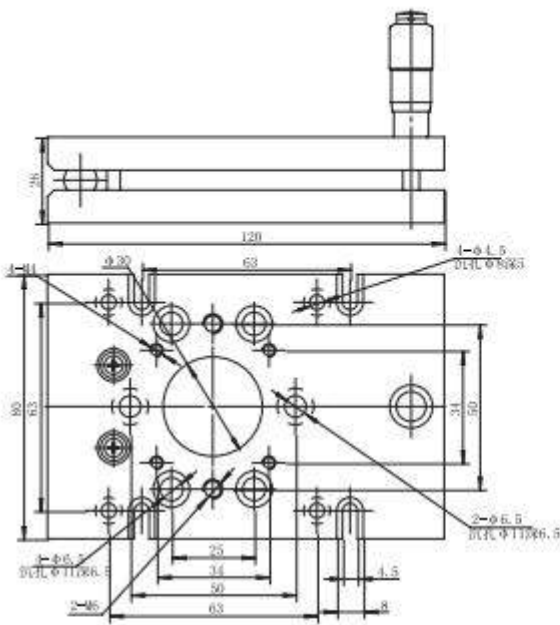
### Linear Tilting Stages

LSSQ-01-3V1 LSSQ-01-4V1

#### Technical Specs:

- Technical Specs:

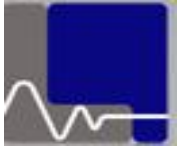
Model	LSSQ-01-3V1	LSSQ-01-4V1
Platform Size	120X80mm	60X60mm
Angle Adjustment Range	$\pm 3^\circ$	$\pm 4^\circ$
Driving Mode	Micrometer Screw	Micrometer Screw
Load Capacity	10kg	4kg
Net Weight	3.5kg	3.5kg



LSSQ-01-3V1



LSSQ-01-4V1



Jiangxi Liansheng Technology Co.,Ltd  
Address: Room 402, No.1277, No. 95, Fushan Yi Lu, The Economic  
Development Area of Xiaolan, Nanchang, Jiangxi, China  
Tel: +8679188224426 Email: [sales2@opticaltable.cn](mailto:sales2@opticaltable.cn)  
Web: [www.opticaltable.com](http://www.opticaltable.com) Contact: Grace Duan

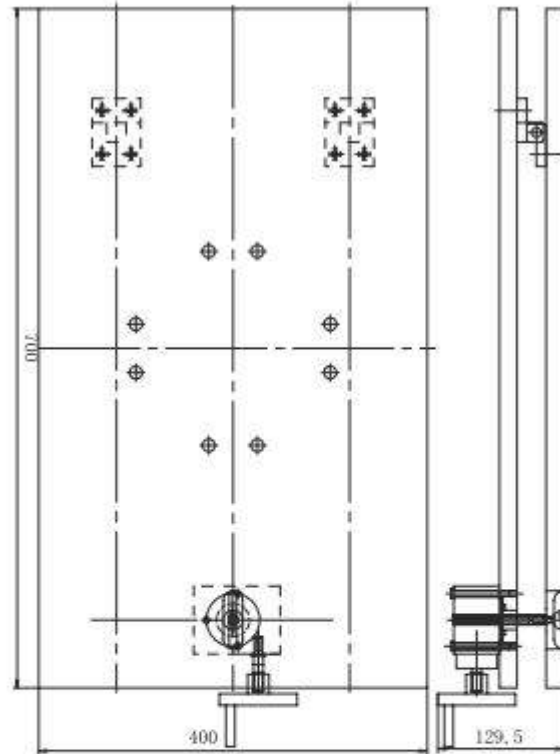
### Linear Tilting Stages

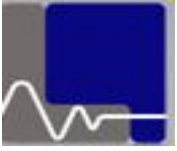
#### LSSQ-01-GZ

#### Technical Specs:

- Technical Specs:

Model	LSSQ-01-GZ
Platform Size	700X400mm
Angle Adjustment Range	$\pm 5^\circ$
Driving Mode	Lifting Mechanism
Load Capacity	50kg
Net Weight	25kg





Jiangxi Liansheng Technology Co.,Ltd  
Address: Room 402, No.1277, No. 95, Fushan Yi Lu, The Economic  
Development Area of Xiaolan, Nanchang, Jiangxi, China  
Tel: +8679188224426 Email: [sales2@opticaltable.cn](mailto:sales2@opticaltable.cn)  
Web: [www.opticaltable.com](http://www.opticaltable.com) Contact: Grace Duan

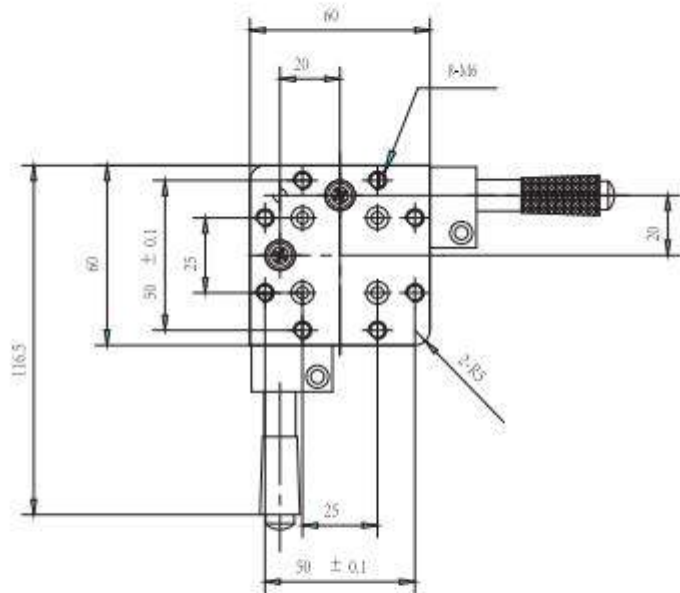
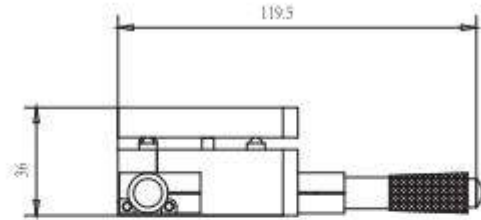
### XY Linear Tilting Stages

#### LSSQ-01-GZ

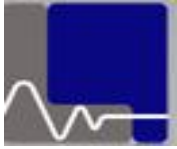
##### Technical Specs:

- Technical Specs:

Model	LSSQ-02-4V2
Platform Size	60X60mm
Angle Adjustment Range	X and Y $\pm 4^\circ$
Driving Mode	Micrometer Screw
Load Capacity	4kg
Net Weight	0.35kg







Jiangxi Liansheng Technology Co.,Ltd  
 Address: Room 402, No.1277, No. 95, Fushan Yi Lu, The Economic  
 Development Area of Xiaolan, Nanchang, Jiangxi, China  
 Tel: +8679188224426 Email: [sales2@opticaltable.cn](mailto:sales2@opticaltable.cn)

Web: [www.opticaltable.com](http://www.opticaltable.com) Contact: Grace Duan

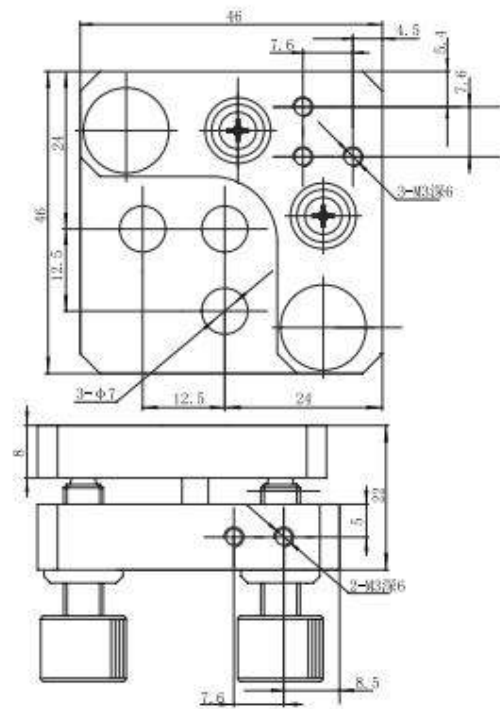
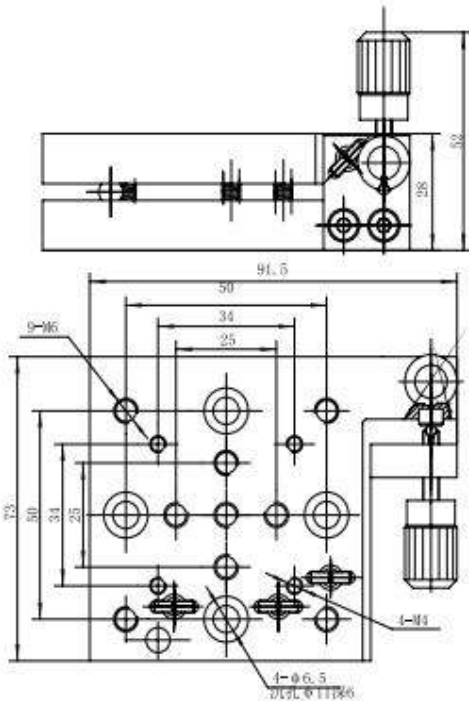
**XY Linear Tilting Stages**

**LSSQ-02-1.8S2 LSSQ-02-5S2-01**

**Technical Specs:**

- Technical Specs:

Model	LSSQ-02-1.8S2	LSSQ-02-5S2-01
Platform Size	73X68mm	46X46mm
Angle Adjustment Range	$\pm 4^\circ$ and $\pm 2^\circ$	$\pm 5^\circ$
Driving Mode	Fine Thread Screw	Fine Thread Screw
Load Capacity	2kg	0.5kg
Net Weight	0.3kg	0.1kg

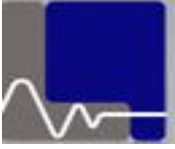


LSSQ-02-1.8S2



LSSQ-02-5S2-01





Jiangxi Liansheng Technology Co.,Ltd  
 Address: Room 402, No.1277, No. 95, Fushan Yi Lu, The Economic  
 Development Area of Xiaolan, Nanchang, Jiangxi, China  
 Tel: +8679188224426 Email: [sales2@opticaltable.cn](mailto:sales2@opticaltable.cn)  
 Web: [www.opticaltable.com](http://www.opticaltable.com) Contact: Grace Duan

## 5. Manual XY/XYZ Linear Translation Stages (Liansheng Optics Series)

### Integrated XY Linear Translation Stages

#### LSSP-D2-X-13V(R/L)

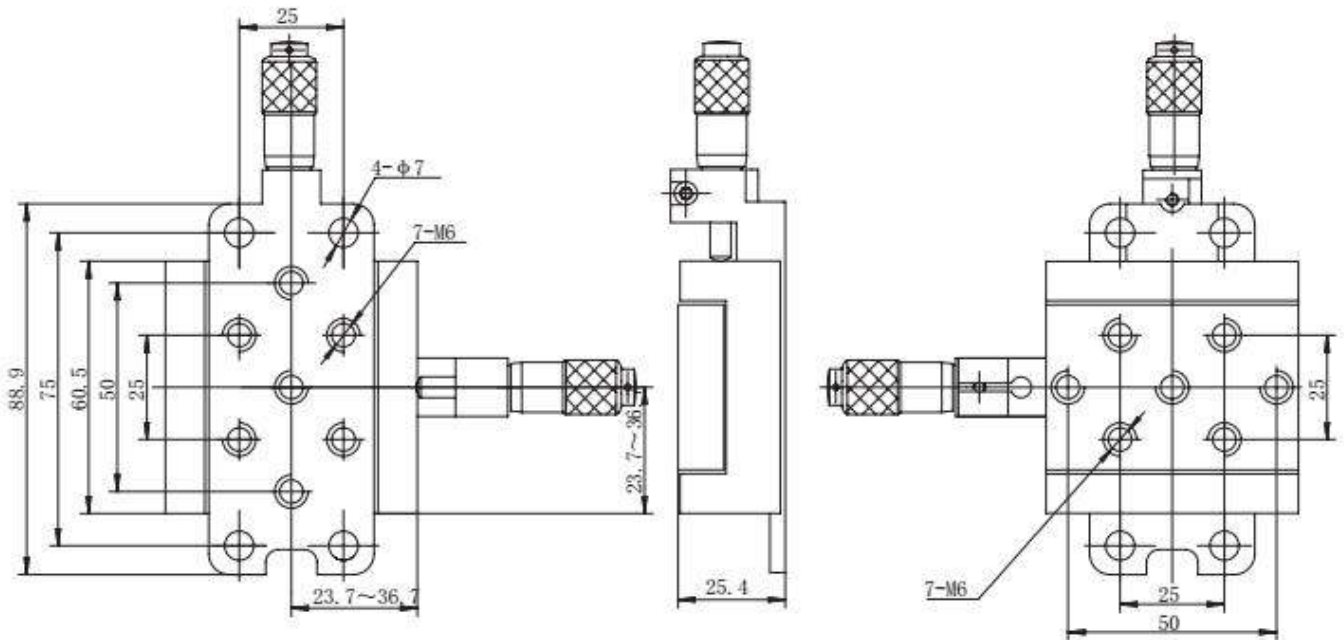
#### Technical Specs:

- Technical Specs:

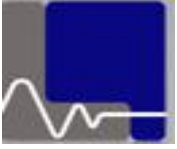


Model	LSSP-D2-X-13V(R/L)
Platform Size	61.5X61.5mm
Travel range	13mm
Accuracy	0.005mm
Sensitivity	0.002mm
Driving mode	Micrometer Screw
Load Capacity	5kg
Driving Position	Center
Net Weight	0.4kg

- Technical drawing







Jiangxi Liansheng Technology Co.,Ltd  
Address: Room 402, No.1277, No. 95, Fushan Yi Lu, The Economic  
Development Area of Xiaolan, Nanchang, Jiangxi, China  
Tel: +8679188224426 Email: [sales2@opticaltable.cn](mailto:sales2@opticaltable.cn)  
Web: [www.opticaltable.com](http://www.opticaltable.com) Contact: Grace Duan

**Integrated XY Linear Translation Stages**

**LSSP-D2-J-13V(R/L)**

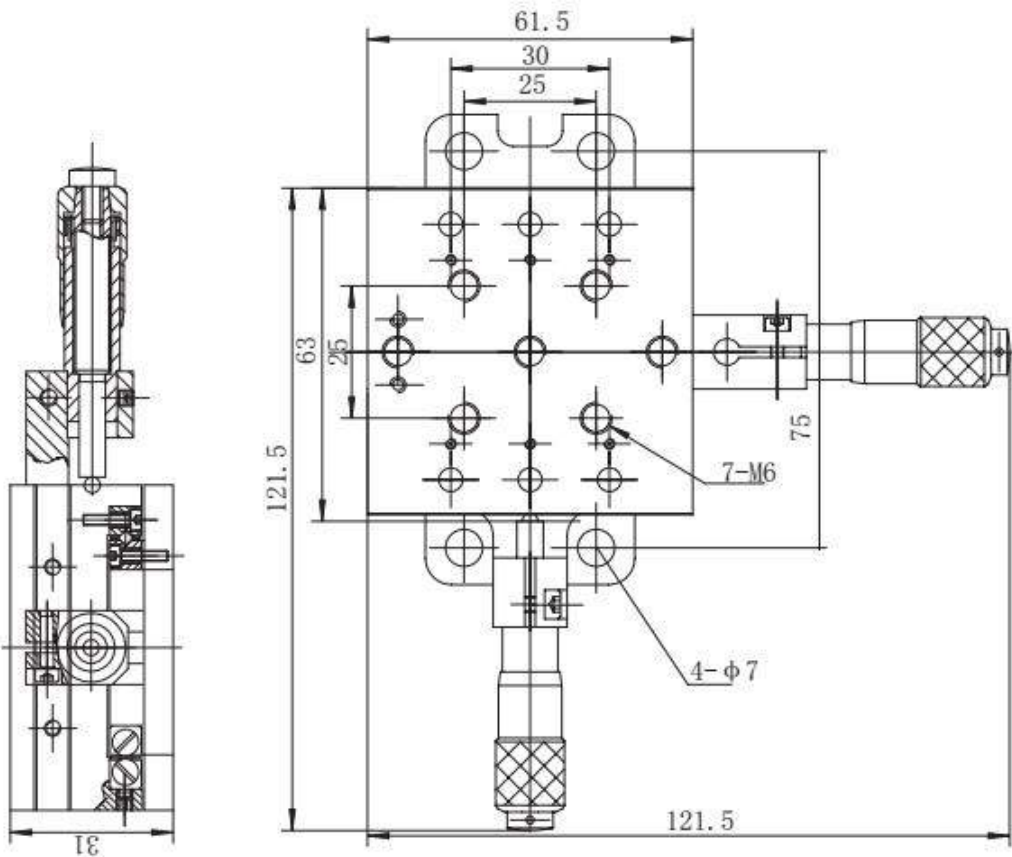
**Technical Specs:**

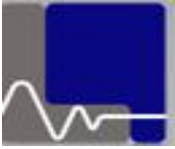
- Technical Specs:



Model	LSSP-D2-J-13V(R/L)
Platform Size	61.5X61.5mm
Travel range	13mm
Accuracy	0.005mm
Sensitivity	0.002mm
Driving mode	Micrometer Screw
Load Capacity	10kg
Driving Position	Center
Net Weight	0.4kg

- Technical drawing





Jiangxi Liansheng Technology Co.,Ltd  
 Address: Room 402, No.1277, No. 95, Fushan Yi Lu, The Economic  
 Development Area of Xiaolan, Nanchang, Jiangxi, China  
 Tel: +8679188224426 Email: [sales2@opticaltable.cn](mailto:sales2@opticaltable.cn)  
 Web: [www.opticaltable.com](http://www.opticaltable.com) Contact: Grace Duan

**Integrated XY Linear Translation Stages**

**LSSP-D2-W-13V**

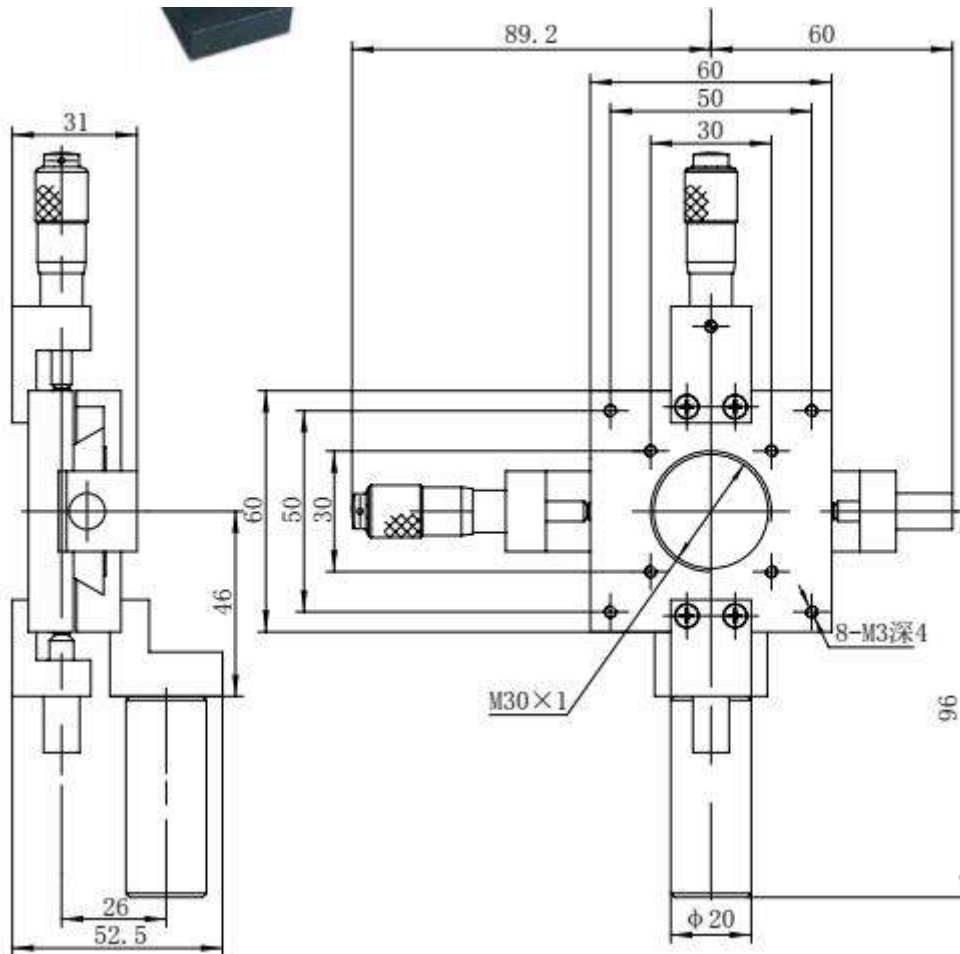
**Technical Specs:**

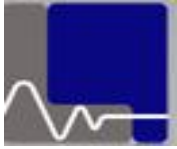
- Technical Specs:



Model	LSSP-D2-W-13V
Platform Size	61.5X61.5mm
Travel range	13mm
Accuracy	0.005mm
Sensitivity	0.002mm
Driving mode	Micrometer Screw
Load Capacity	4kg
Driving Position	Center
Net Weight	0.4kg

- Technical drawing





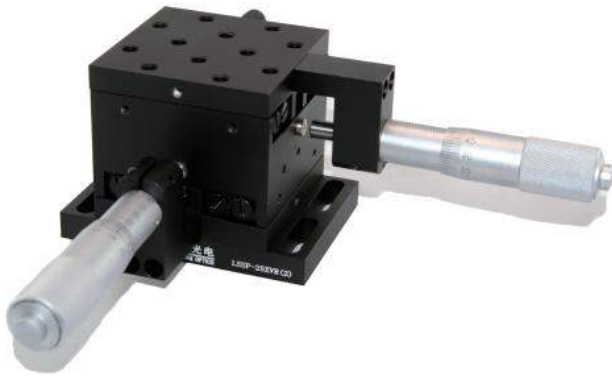
Jiangxi Liansheng Technology Co.,Ltd  
 Address: Room 402, No.1277, No. 95, Fushan Yi Lu, The Economic  
 Development Area of Xiaolan, Nanchang, Jiangxi, China  
 Tel: +8679188224426 Email: [sales2@opticaltable.cn](mailto:sales2@opticaltable.cn)  
 Web:www.opticaltable.com Contact: Grace Duan

**Integrated XY Linear Translation Stages**

**LSSP-D2-X-25V(R/L)**

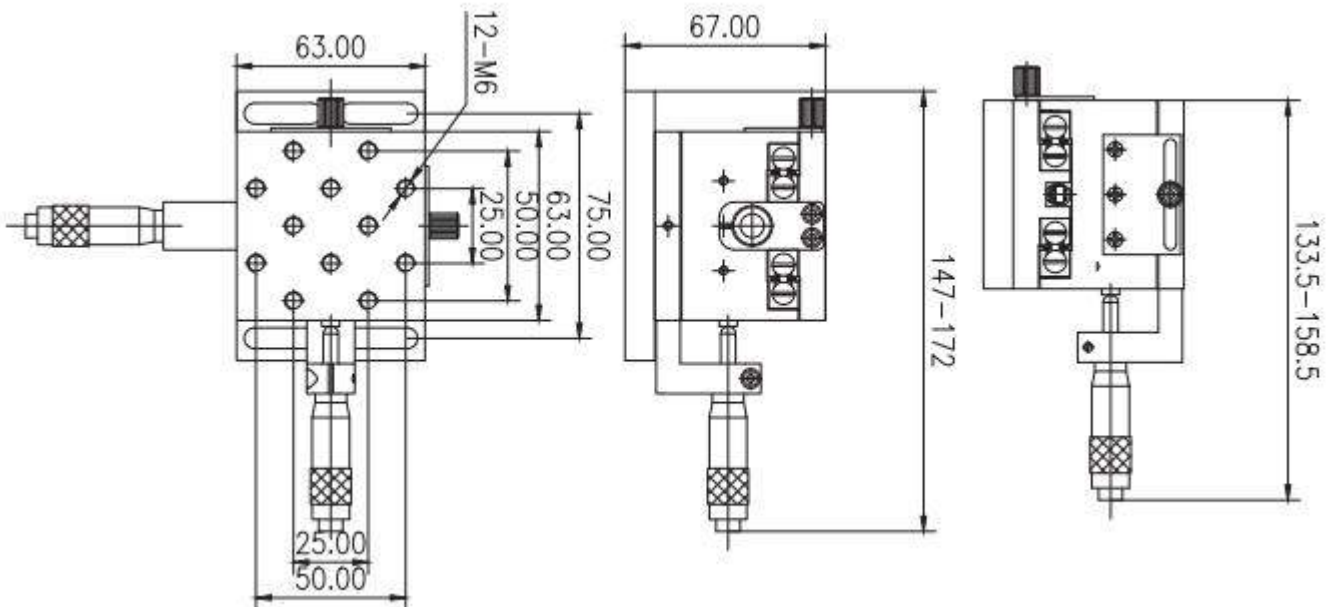
**Technical Specs:**

- Technical Specs:

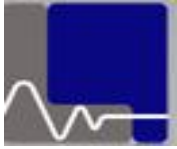


Model	LSSP-D2-X-25V(R/L)
Platform Size	63X63mm
Travel range	25mm
Accuracy	0.005mm
Sensitivity	0.002mm
Driving mode	Micrometer Screw
Load Capacity	5kg
Driving Position	Center
Net Weight	0.7kg

- Technical drawing







Jiangxi Liansheng Technology Co.,Ltd  
Address: Room 402, No.1277, No. 95, Fushan Yi Lu, The Economic  
Development Area of Xiaolan, Nanchang, Jiangxi, China  
Tel: +8679188224426 Email: [sales2@opticaltable.cn](mailto:sales2@opticaltable.cn)  
Web: [www.opticaltable.com](http://www.opticaltable.com) Contact: Grace Duan

## Manual Linear Translation Stages (Liansheng Optics Series)

### Integrated XYZ Linear Translation Stages

#### LSSP-D3-J-13V

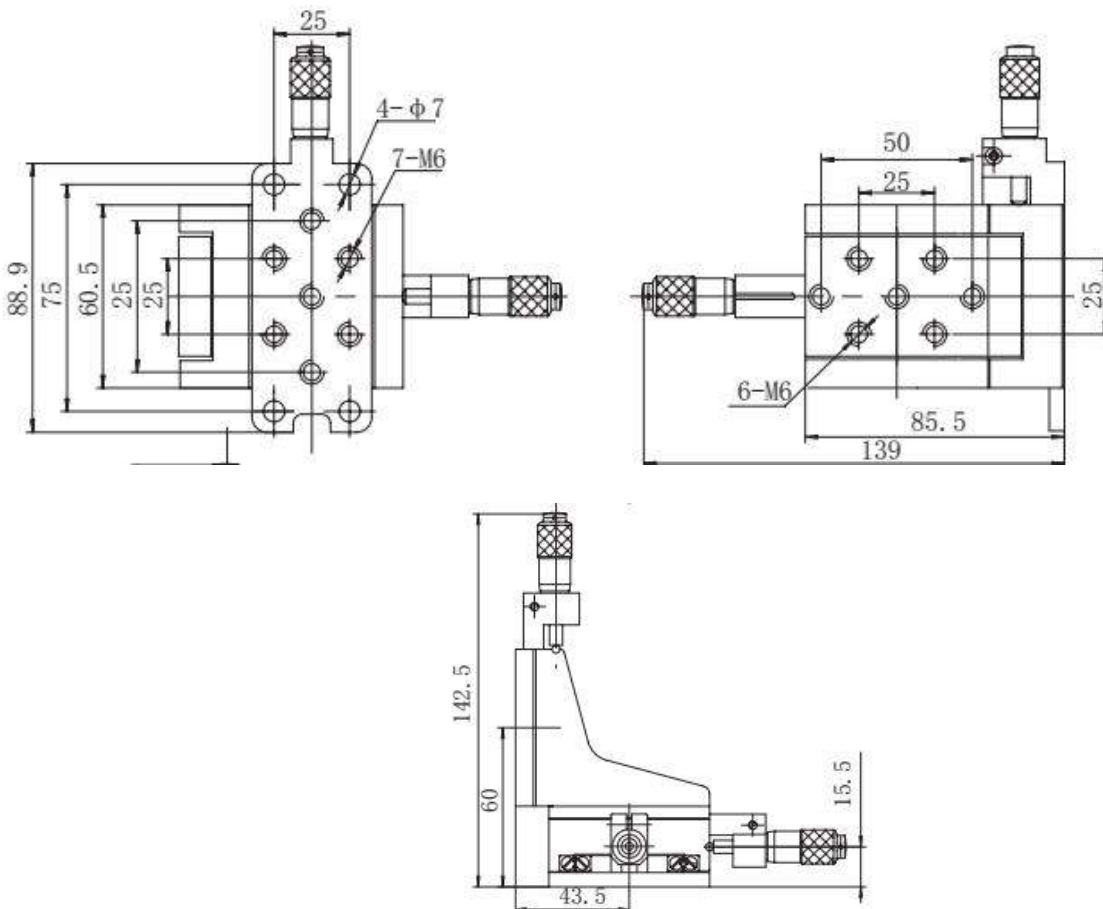
#### Technical Specs:

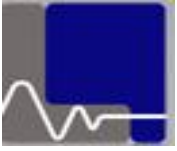
- Technical Specs:



Model	LSSP-D3-J-13V
Platform Size	61.5X61.5mm
Travel range	13mm
Accuracy	0.005mm
Sensitivity	0.002mm
Driving mode	Micrometer Screw
Load Capacity	8kg
Driving Position	Center
Net Weight	0.9kg

- Technical drawing





Jiangxi Liansheng Technology Co.,Ltd  
 Address: Room 402, No.1277, No. 95, Fushan Yi Lu, The Economic  
 Development Area of Xiaolan, Nanchang, Jiangxi, China  
 Tel: +8679188224426 Email: [sales2@opticaltable.cn](mailto:sales2@opticaltable.cn)  
 Web: [www.opticaltable.com](http://www.opticaltable.com) Contact: Grace Duan

**Integrated XYZ Linear Translation Stages**

**LSSP-D3-J-25V**

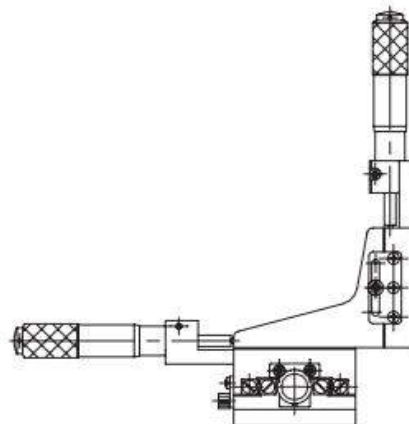
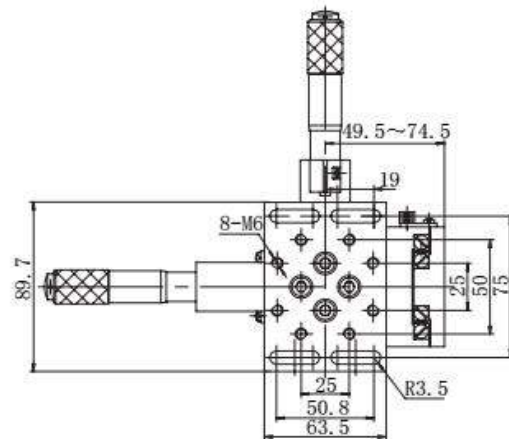
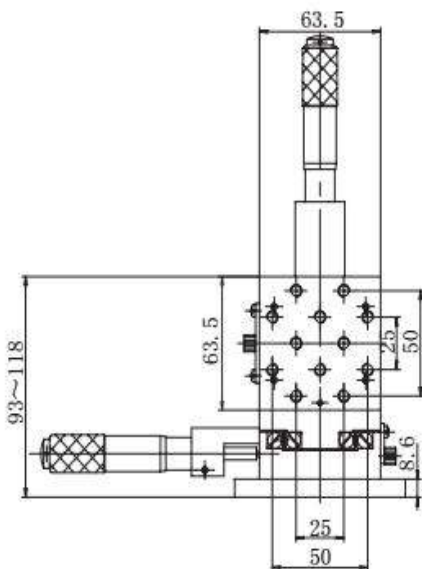
**Technical Specs:**

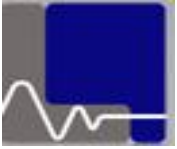
- Technical Specs:



Model	LSSP-D3-J-25V
Platform Size	63X63mm
Travel range	25mm
Accuracy	0.005mm
Sensitivity	0.002mm
Driving mode	Micrometer Screw
Load Capacity	5kg
Driving Position	Center
Net Weight	0.9kg

- Technical drawing





Jiangxi Liansheng Technology Co.,Ltd  
 Address: Room 402, No.1277, No. 95, Fushan Yi Lu, The Economic  
 Development Area of Xiaolan, Nanchang, Jiangxi, China  
 Tel: +8679188224426 Email: [sales2@opticaltable.cn](mailto:sales2@opticaltable.cn)  
 Web: [www.opticaltable.com](http://www.opticaltable.com) Contact: Grace Duan

**Integrated XYZ Linear Translation Stages**

**LSSP-D3-X-25V(R/L)**

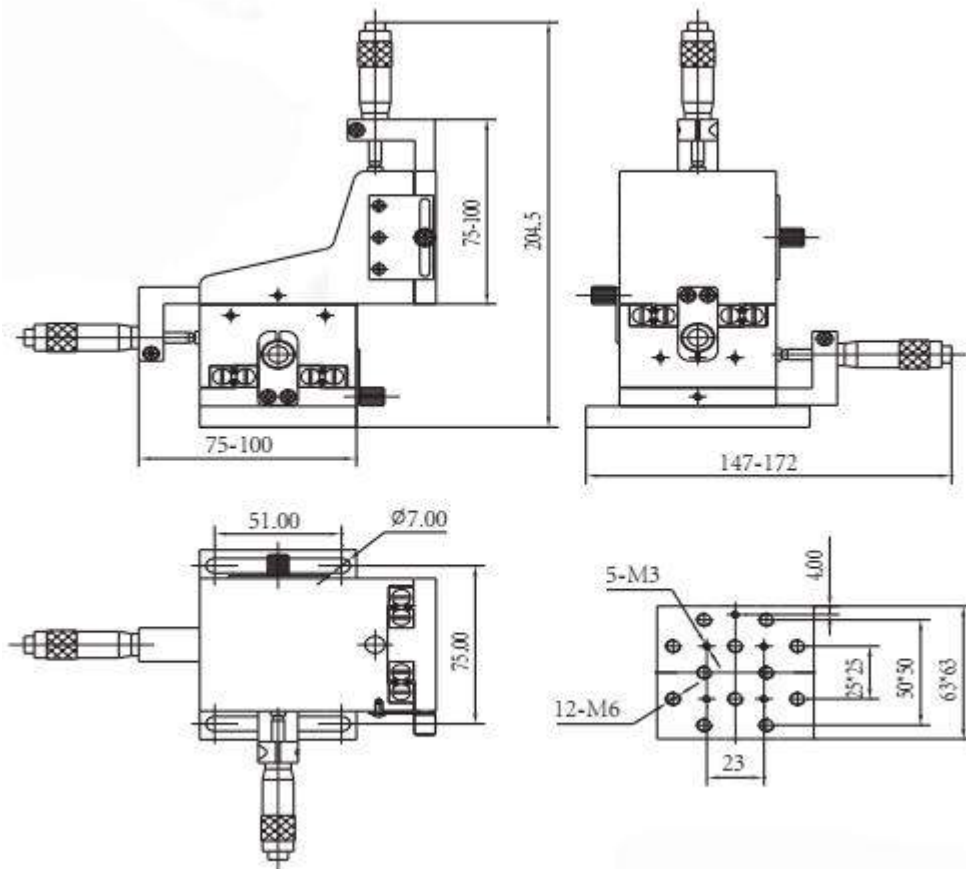
**Technical Specs:**

- Technical Specs:

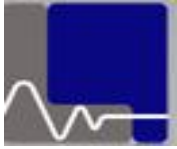


Model	LSSP-D3-X-25V(R/L)
Platform Size	63X63mm
Travel range	25mm
Accuracy	0.005mm
Sensitivity	0.002mm
Driving mode	Micrometer Screw
Load Capacity	5kg
Driving Position	Center
Net Weight	0.9kg

- Technical drawing







Jiangxi Liansheng Technology Co.,Ltd  
 Address: Room 402, No.1277, No. 95, Fushan Yi Lu, The Economic  
 Development Area of Xiaolan, Nanchang, Jiangxi, China  
 Tel: +8679188224426 Email: [sales2@opticaltable.cn](mailto:sales2@opticaltable.cn)  
 Web: [www.opticaltable.com](http://www.opticaltable.com) Contact: Grace Duan

**Integrated XYZ and two dimension of Tilting Positioning Stages**

**LSSP-D5-X-25V(R/L)**

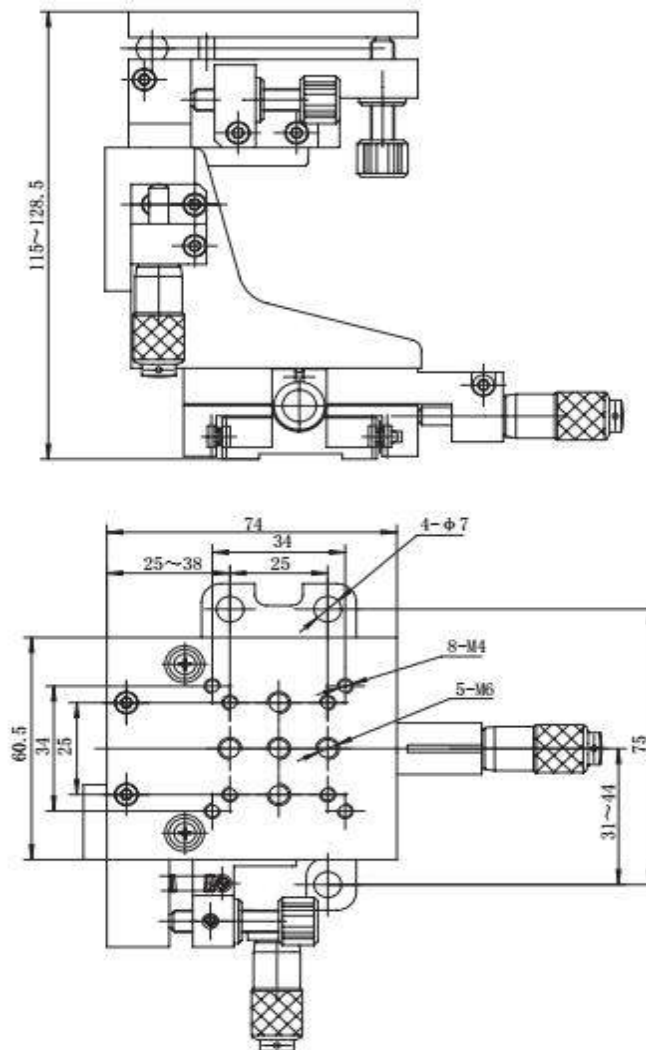
**Technical Specs:**

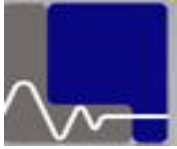
- Technical Specs:



Model	LSSP-D3-X-25V(R/L)
Platform Size	74X60.5mm
Travel range in XYZ	13mm
Adjustment in $\theta_x$ and $\theta_z$	$\pm 5^\circ$
Accuracy (XYZ)	0.005mm
Sensitivity (XYZ)	0.002mm
Driving mode	Micrometer Screw
Load Capacity	3kg
Driving Position	Center
Net Weight	1.2kg

- Technical drawing





Jiangxi Liansheng Technology Co.,Ltd  
Address: Room 402, No.1277, No. 95, Fushan Yi Lu, The Economic  
Development Area of Xiaolan, Nanchang, Jiangxi, China  
Tel: +8679188224426 Email: [sales2@opticaltable.cn](mailto:sales2@opticaltable.cn)  
Web:www.opticaltable.com Contact: Grace Duan

## Assembled Manual Linear Translation Stages (Liansheng Optics Series)

### Assembled XY Micro positioning Stages

#### LSSZ-02-01

#### Technical Specs:

- Technical Specs:



Model	LSSZ-02-01
Platform Size	34X34mm
Travel range	13mm
Driving mode	Micrometer Screw
Assembled by two LSSP-X-13VZ-01	

### Assembled XY Micro positioning Stages

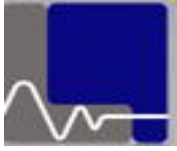
#### LSSZ-02-02

#### Technical Specs:

- Technical Specs:



Model	LSSZ-02-02
Platform Size	34X34mm
Travel range	13mm
Driving mode	Micrometer Screw
Assembled by two LSSP-X-13VC-01	



Jiangxi Liansheng Technology Co.,Ltd  
Address: Room 402, No.1277, No. 95, Fushan Yi Lu, The Economic  
Development Area of Xiaolan, Nanchang, Jiangxi, China  
Tel: +8679188224426 Email: [sales2@opticaltable.cn](mailto:sales2@opticaltable.cn)  
Website: [opticaltable.com](http://opticaltable.com) Contact: Grace Duan

### **Assembled XY Micro positioning Stages**

#### **LSSZ-02-03**

#### **Technical Specs:**

- Technical Specs:



Model	LSSZ-02-03
Platform Size	53X53mm
Travel range	25mm
Driving mode	Micrometer Screw
Assembled by two LSSP-X-25VZ-01	

### **Assembled XY Micro positioning Stages**

#### **LSSZ-02-04**

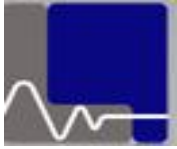
#### **Technical Specs:**

- Technical Specs:



Model	LSSZ-02-04
Platform Size	53X53mm
Travel range	25mm
Driving mode	Micrometer Screw
Assembled by two LSSP-X-25VC-02	





Jiangxi Liansheng Technology Co.,Ltd  
Address: Room 402, No.1277, No. 95, Fushan Yi Lu, The Economic  
Development Area of Xiaolan, Nanchang, Jiangxi, China  
Tel: +8679188224426 Email: [sales2@opticaltable.cn](mailto:sales2@opticaltable.cn)  
Web:www.opticaltable.com Contact: Grace Duan

**Assembled XY Micro positioning Stages**

**LSSZ-02-05**

**Technical Specs:**

- Technical Specs:



Model	LSSZ-02-05
Platform Size	40X40mm
Travel range	13mm
Driving mode	Micrometer Screw
Assembled by two LSSP-J-13VZ-01	

**Assembled XY Micro positioning Stages**

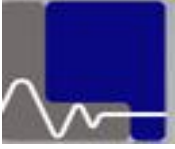
**LSSZ-02-06**

**Technical Specs:**

- Technical Specs:



Model	LSSZ-02-06
Platform Size	40X40mm
Travel range	13mm
Driving mode	Micrometer Screw
Assembled by two LSSP-J-13VZ-01	



Jiangxi Liansheng Technology Co.,Ltd  
Address: Room 402, No.1277, No. 95, Fushan Yi Lu, The Economic  
Development Area of Xiaolan, Nanchang, Jiangxi, China

Tel: +8679188224426

Email: [sales2@opticaltable.cn](mailto:sales2@opticaltable.cn)

Website: [opticaltable.com](http://opticaltable.com)

Contact: Grace Duan

### Assembled XY Micro positioning Stages

#### LSSZ-02-07

#### Technical Specs:

- Technical Specs:



Model	LSSZ-02-07
Platform Size	40X40mm
Travel range	13mm
Driving mode	Micrometer Screw
Assembled by two LSSP-J-13VC-01	

### Assembled XY Micro positioning Stages

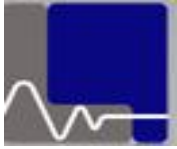
#### LSSZ-02-08

#### Technical Specs:

- Technical Specs:



Model	LSSZ-02-08
Platform Size	40X40mm
Travel range	13mm
Driving mode	Micrometer Screw
Assembled by two LSSP-J-13VC-01	



Jiangxi Liansheng Technology Co.,Ltd  
Address: Room 402, No.1277, No. 95, Fushan Yi Lu, The Economic  
Development Area of Xiaolan, Nanchang, Jiangxi, China

Tel: +8679188224426

Email: [sales2@opticaltable.cn](mailto:sales2@opticaltable.cn)

Website: [opticaltable.com](http://opticaltable.com)

Contact: Grace Duan

### **Assembled XY Micro positioning Stages**

#### **LSSZ-02-09**

#### **Technical Specs:**

- Technical Specs:



Model	LSSZ-02-09
Platform Size	60X60mm
Travel range	13mm
Driving mode	Micrometer Screw
Assembled by two LSSP-J-13VZ-02	

### **Assembled XY Micro positioning Stages**

#### **LSSZ-02-10**

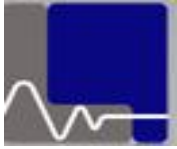
#### **Technical Specs:**

- Technical Specs:



Model	LSSZ-02-10
Platform Size	60X60mm
Travel range	13mm
Driving mode	Micrometer Screw
Assembled by two LSSP-J-13VZ-02	





Jiangxi Liansheng Technology Co.,Ltd  
Address: Room 402, No.1277, No. 95, Fushan Yi Lu, The Economic  
Development Area of Xiaolan, Nanchang, Jiangxi, China

Tel: +8679188224426

Email: [sales2@opticaltable.cn](mailto:sales2@opticaltable.cn)

Website: [opticaltable.com](http://opticaltable.com)

Contact: Grace Duan

### **Assembled XY Micro positioning Stages**

#### **LSSZ-02-11**

#### **Technical Specs:**

- Technical Specs:



Model	LSSZ-02-11
Platform Size	60X60mm
Travel range	13mm
Driving mode	Micrometer Screw
Assembled by two LSSP-J-13VC-02	

### **Assembled XZ Micro positioning Stages**

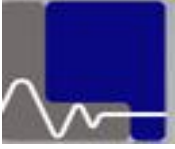
#### **LSSZ-02-12**

#### **Technical Specs:**

- Technical Specs:



Model	LSSZ-02-12
Platform Size	60X60mm
Travel range	13mm
Driving mode	Micrometer Screw
Assembled by two LSSP-J-13VC-02	



Jiangxi Liansheng Technology Co.,Ltd  
Address: Room 402, No.1277, No. 95, Fushan Yi Lu, The Economic  
Development Area of Xiaolan, Nanchang, Jiangxi, China

Tel: +8679188224426  
Web:www.opticaltable.  
com

Email: [sales2@opticaltable.cn](mailto:sales2@opticaltable.cn)  
Contact: Grace Duan

### Assembled XY Micro positioning Stages

#### LSSZ-02-13

##### Technical Specs:

- Technical Specs:



Model	LSSZ-02-13
Platform Size	65X65mm
Travel range	25mm
Driving mode	Micrometer Screw
Assembled by two LSSP-J-25VZ-01	

### Assembled XZ Micro positioning Stages

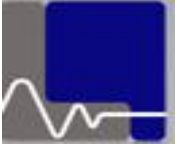
#### LSSZ-02-14

##### Technical Specs:

- Technical Specs:



Model	LSSZ-02-14
Platform Size	65X65mm
Travel range	25mm
Driving mode	Micrometer Screw
Assembled by two LSSP-J-25VZ-01	



Jiangxi Liansheng Technology Co.,Ltd  
Address: Room 402, No.1277, No. 95, Fushan Yi Lu, The Economic  
Development Area of Xiaolan, Nanchang, Jiangxi, China  
Tel: +8679188224426      Email: [sales2@opticaltable.cn](mailto:sales2@opticaltable.cn)  
Web:www.opticaltable.com      Contact: Grace Duan

### Assembled XY Micro positioning Stages

#### LSSZ-02-15

##### Technical Specs:

- Technical Specs:



Model	LSSZ-02-15
Platform Size	65X65mm
Travel range	25mm
Driving mode	Micrometer Screw
Assembled by two LSSP-J-25VC-01	

### Assembled XZ Micro positioning Stages

#### LSSZ-02-16

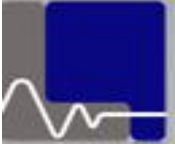
##### Technical Specs:

- Technical Specs:



Model	LSSZ-02-16
Platform Size	65X65mm
Travel range	25mm
Driving mode	Micrometer Screw
Assembled by two LSSP-J-25VC-01	





Jiangxi Liansheng Technology Co.,Ltd  
Address: Room 402, No.1277, No. 95, Fushan Yi Lu, The Economic  
Development Area of Xiaolan, Nanchang, Jiangxi, China

Tel: +8679188224426

Email: [sales2@opticaltable.cn](mailto:sales2@opticaltable.cn)

Website: [opticaltable.com](http://opticaltable.com)

Contact: Grace Duan

## Assembled Manual XYZ Positioning Stages (Liansheng Optics Series)

### Assembled XYZ Positioning Stages

#### LSSZ-03-01

##### Technical Specs:

- Technical Specs:



Model	LSSZ-03-01
Platform Size	40X40mm
Travel range(XYZ)	13mm
Driving mode	Micrometer Screw
Assembled by three LSSP-J-13VZ-01	

### Assembled XYZ Positioning Stages

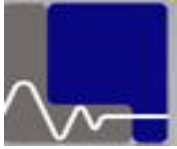
#### LSSZ-03-02

##### Technical Specs:

- Technical Specs:



Model	LSSZ-03-02
Platform Size	40X40mm
Travel range(XYZ)	13mm
Driving mode	Micrometer Screw
Assembled by three LSSP-J-13VC-01	



Jiangxi Liansheng Technology Co.,Ltd  
Address: Room 402, No.1277, No. 95, Fushan Yi Lu, The Economic  
Development Area of Xiaolan, Nanchang, Jiangxi, China

Tel: +8679188224426

Email: [sales2@opticaltable.cn](mailto:sales2@opticaltable.cn)

Website: [opticaltable.com](http://opticaltable.com)

Contact: Grace Duan

### Assembled XYZ Positioning Stages

#### LSSZ-03-03

#### Technical Specs:

- Technical Specs:



Model	LSSZ-03-03
Platform Size	60X60mm
Travel range(XYZ)	13mm
Driving mode	Micrometer Screw
Assembled by three LSSP-J-13VZ-02	

### Assembled XYZ Positioning Stages

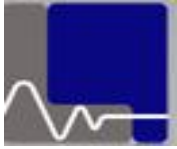
#### LSSZ-03-04

#### Technical Specs:

- Technical Specs:



Model	LSSZ-03-04
Platform Size	60X60mm
Travel range(XYZ)	13mm
Driving mode	Micrometer Screw
Assembled by three LSSP-J-13VC-02	



Jiangxi Liansheng Technology Co.,Ltd  
 Address: Room 402, No.1277, No. 95, Fushan Yi Lu, The Economic  
 Development Area of Xiaolan, Nanchang, Jiangxi, China

Tel: +8679188224426  
 Web:www.opticaltable.

Email: [sales2@opticaltable.cn](mailto:sales2@opticaltable.cn)  
 Contact: GraceDuan

com

**Assembled XYZ Positioning Stages**

**LSSZ-03-05**

● Technical Specs:  
**Technical Specs:**



Model	LSSZ-03-05
Platform Size	65X65mm
Travel range(XYZ)	25mm
Driving mode	Micrometer Screw
Assembled by three LSSP-J-25VZ-01	

**Assembled XYZ Positioning Stages**

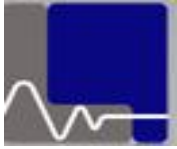
**LSSZ-03-06**

**Technical Specs:**  
 ● Technical Specs:



Model	LSSZ-03-06
Platform Size	65X65mm
Travel range(XYZ)	25mm
Driving mode	Micrometer Screw
Assembled by three LSSP-J-25VC-01	





Jiangxi Liansheng Technology Co.,Ltd  
 Address: Room 402, No.1277, No. 95, Fushan Yi Lu, The Economic  
 Development Area of Xiaolan, Nanchang, Jiangxi, China  
 Tel: +8679188224426 Email: [sales2@opticaltable.cn](mailto:sales2@opticaltable.cn)  
 Web:www.opticaltable.com Contact: GraceDuan

**Assembled XYZ Positioning Stages**

**LSSZ-03-07**

**Technical Specs:**

- Technical Specs:



Model	LSSZ-03-07
Platform Size	53X53mm
Travel range(XYZ)	25mm
Driving mode	Micrometer Screw
Assembled by three LSSP-X-25VZ-01	

**Assembled XYZ Positioning Stages**

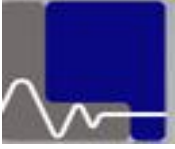
**LSSZ-03-08**

**Technical Specs:**

- Technical Specs:



Model	LSSZ-03-08
Platform Size	65X65mm
Travel range(XYZ)	25mm
Driving mode	Micrometer Screw
Assembled by three LSSP-X-25VC-02	



Jiangxi Liansheng Technology Co.,Ltd  
Address: Room 402, No.1277, No. 95, Fushan Yi Lu, The Economic  
Development Area of Xiaolan, Nanchang, Jiangxi, China

Tel: +8679188224426 Email: [sales2@opticaltable.cn](mailto:sales2@opticaltable.cn)

Web:www.opticaltable.comContact: GraceDuan

### Assembled XYZ Positioning Stages

#### LSSZ-03-09

#### Technical Specs:

- Technical Specs:



Model	LSSZ-03-09
Platform Size	34X34mm
Travel range(XYZ)	13mm
Driving mode	Micrometer Screw
Assembled by three LSSP-J-13VC-01	

### Assembled XYZ Positioning Stages

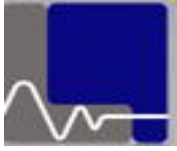
#### LSSZ-03-10

#### Technical Specs:

- Technical Specs:



Model	LSSZ-03-10
Platform Size	50X64mm
Travel range(XYZ)	25mm
Driving mode	Micrometer Screw
Assembled by two LSSP-X-25VC-02 and LSSQ-5QV	



Jiangxi Liansheng Technology Co.,Ltd  
 Address: Room 402, No.1277, No. 95, Fushan Yi Lu, The Economic  
 Development Area of Xiaolan, Nanchang, Jiangxi, China  
 Tel: +8679188224426      Email: [sales2@opticaltable.cn](mailto:sales2@opticaltable.cn)  
 Web:www.opticaltable.com      Contact: GraceDuan

**Assembled XYZ Positioning Stages**

**LSSZ-03-11**

**Technical Specs:**

- Technical Specs:



Model	LSSZ-03-11
Platform Size	Diameter: 82mm
Travel range(XYZ)	25mm 360°
Driving mode	Micrometer Screw
Assembled by two LSSP-X-25VC-02 and LSSH-82TV-B	

**Assembled XYZ and Rotary/Tilting(6 Axis) Positioning Stages**

**LSSZ-06-01**

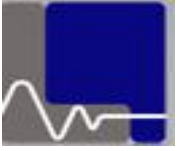
**Technical Specs:**

- Technical Specs:



Model	LSSZ-03-11
Platform Size	Diameter: 82mm
Travel range(XYZ)	25mm(XY) 5mm, $\pm 5^\circ$ 360°
Driving mode	Micrometer Screw
Assembled by two LSSP-X-25VC-02, LSSQ-02-5V2 and LSSH-82TV-B each	





Jiangxi Liansheng Technology Co.,Ltd  
Address: Room 402, No.1277, No. 95, Fushan Yi Lu, The Economic  
Development Area of Xiaolan, Nanchang, Jiangxi, China  
Tel: +8679188224426 Email: [sales2@opticaltable.cn](mailto:sales2@opticaltable.cn)

Web: [www.opticaltable.com](http://www.opticaltable.com) Contact: GraceDuan

### 1. Optical Mounting Bases LSGB1-4

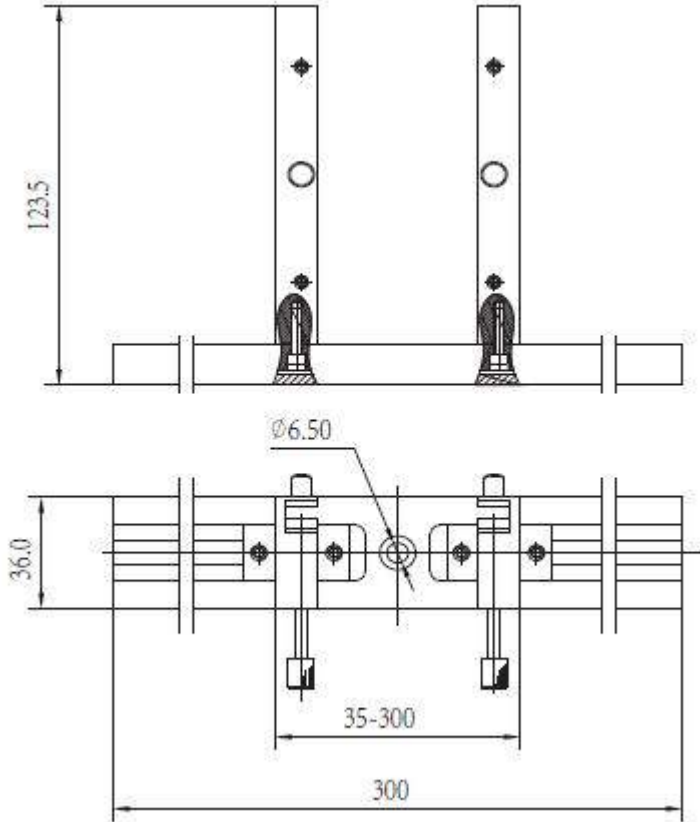
#### Mounting Bases LSGB1-4

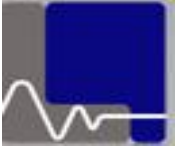
Technical Specs & Product Picture:



Model	<b>LSGB1-4</b>
Installation Thickness	4mm
Installation Width	35-300mm
Net Weight:	0.55kg

Technical Drawings:





Jiangxi Liansheng Technology Co.,Ltd  
Address: Room 402, No.1277, No. 95, Fushan Yi Lu, The Economic  
Development Area of Xiaolan, Nanchang, Jiangxi, China  
Tel: +8679188224426 Email: [sales2@opticaltable.cn](mailto:sales2@opticaltable.cn)  
Web: [www.opticaltable.com](http://www.opticaltable.com) Contact: GraceDuan

## 2. Optical Mounting Bases LSGB2 Series

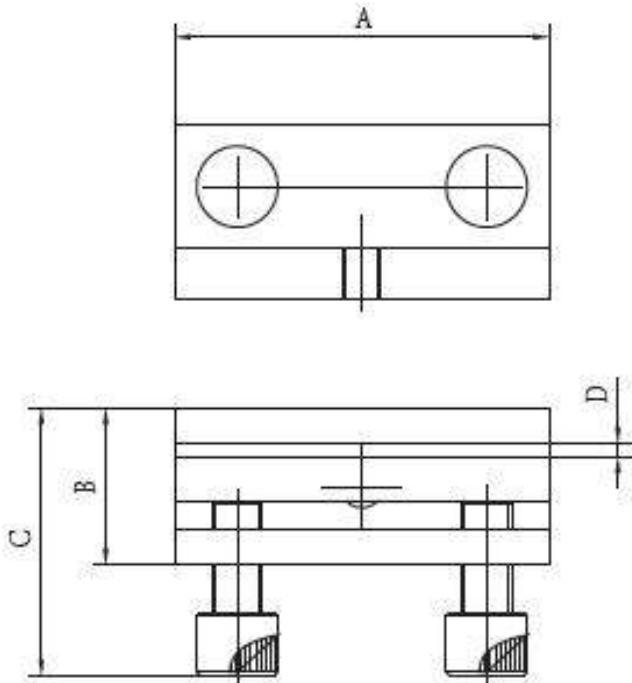
### Mounting Bases LSGB2 series

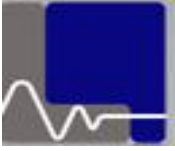
Technical Specs & Product Picture:



Model	LSGB2-7	LSGB2-16
A	60	90
B	25	26
C	55	65.5
D (Installation Thickness Max.)	7	16
Net Weight:	0.1kg	0.15kg

Technical Drawings:





Jiangxi Liansheng Technology Co.,Ltd  
Address: Room 402, No.1277, No. 95, Fushan Yi Lu, The Economic  
Development Area of Xiaolan, Nanchang, Jiangxi, China  
Tel: +8679188224426 Email: [sales2@opticaltable.cn](mailto:sales2@opticaltable.cn)  
Web: [www.opticaltable.com](http://www.opticaltable.com) Contact: GraceDuan

### 3. Optical Mounting Bases LSGB3-10

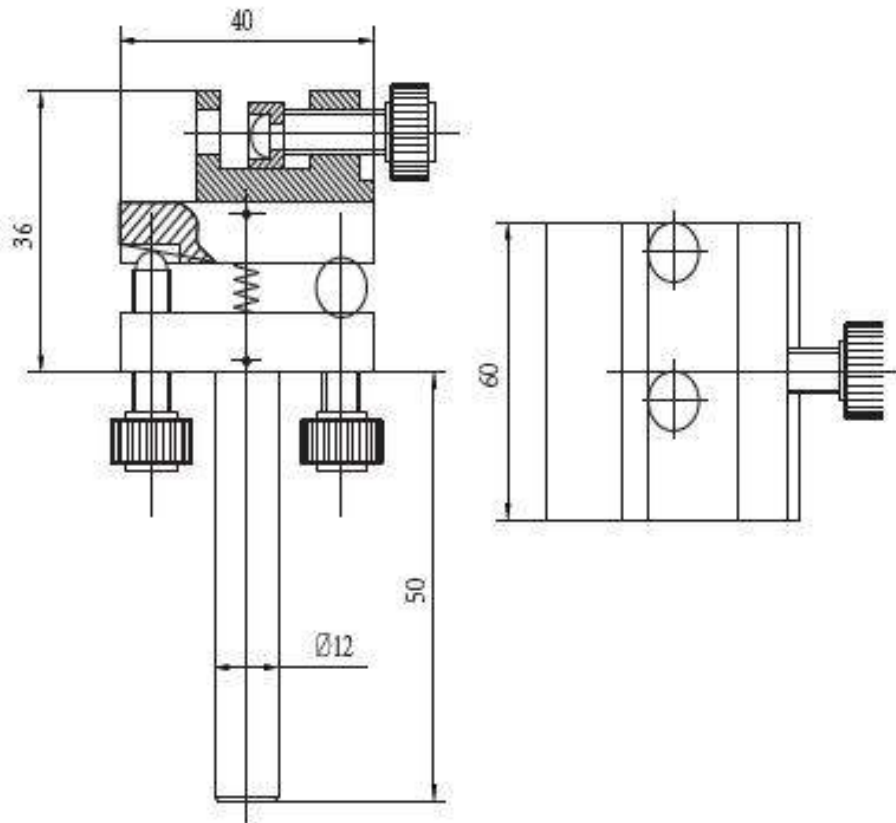
#### Mounting Bases LSGB3-10

Technical Specs & Product Picture:



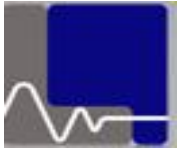
Model	<b>LSGB3-10</b>
Installation Thickness Range	0-10
Installation Width	0-60
Net Weight:	0.25kg

Technical Drawings:



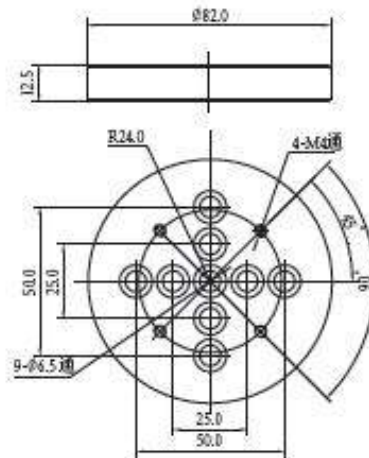




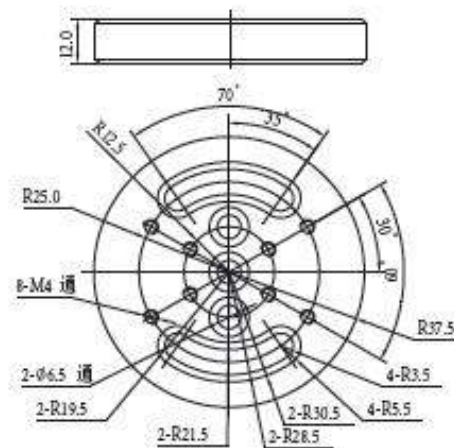


Jiangxi Liansheng Technology Co.,Ltd  
Address: Room 402, No.1277, No. 95, Fushan Yi Lu, The Economic  
Development Area of Xiaolan, Nanchang, Jiangxi, China  
Tel: +8679188224426 Email: [sales2@opticaltable.cn](mailto:sales2@opticaltable.cn)  
Web: [www.opticaltable.com](http://www.opticaltable.com) Contact: GraceDuan

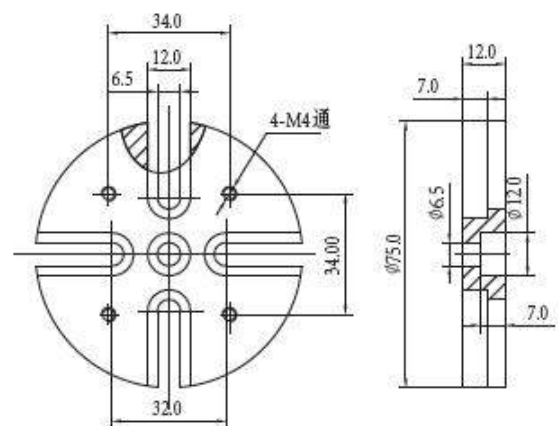
LSDB5



LSDB6

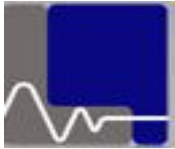


LSDB7





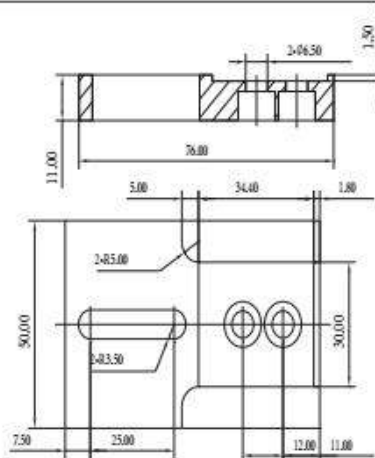




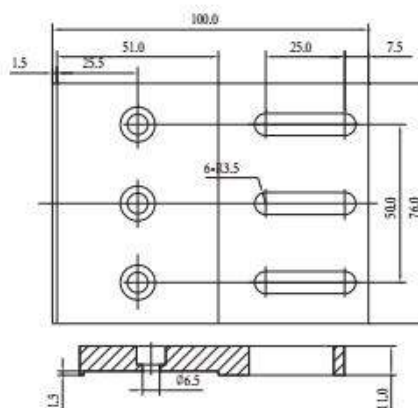
Jiangxi Liansheng Technology Co.,Ltd  
Address: Room 402, No.1277, No. 95, Fushan Yi Lu, The Economic  
Development Area of Xiaolan, Nanchang, Jiangxi, China  
Tel: +8679188224426 Email: [sales2@opticaltable.cn](mailto:sales2@opticaltable.cn)

Web:[www.opticaltable.com](http://www.opticaltable.com)/Contact: GraceDuan

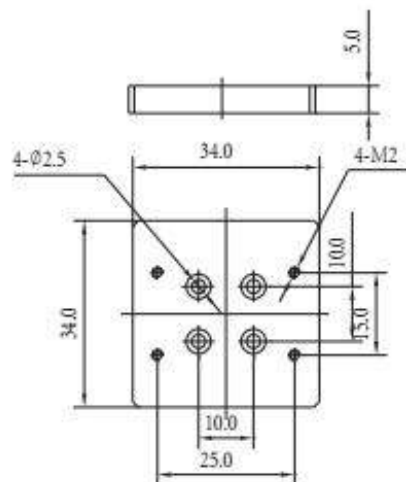
LSDB13

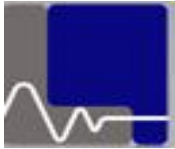


LSDB14



LSDB15

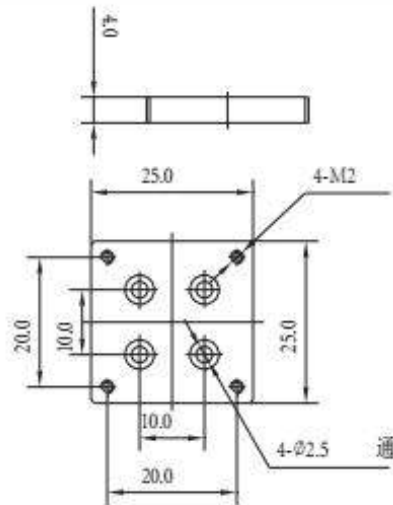




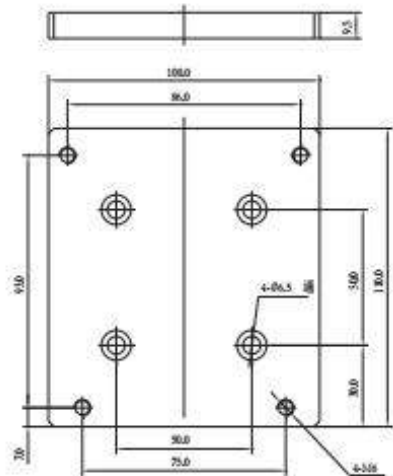
Jiangxi Liansheng Technology Co.,Ltd  
Address: Room 402, No.1277, No. 95, Fushan Yi Lu, The Economic  
Development Area of Xiaolan, Nanchang, Jiangxi, China  
Tel: +8679188224426 Email: [sales2@opticaltable.cn](mailto:sales2@opticaltable.cn)

Web:[www.opticaltable.com](http://www.opticaltable.com)/Contact: GraceDuan

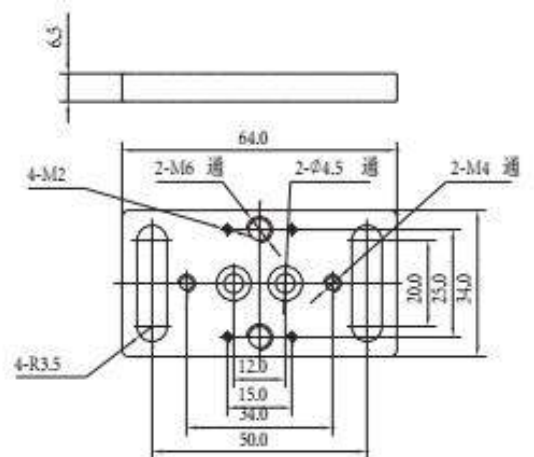
LSDB16

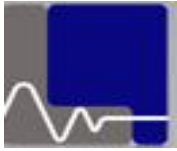


LSDB17



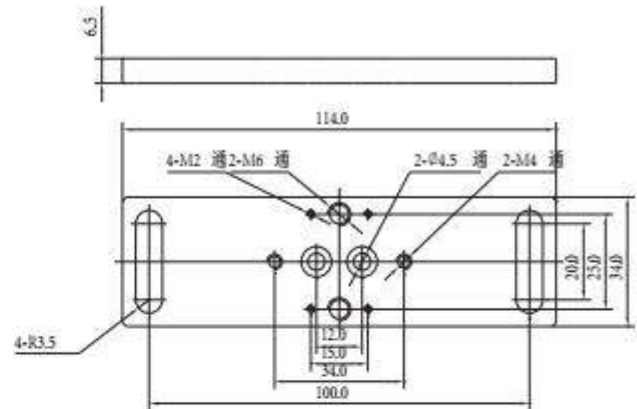
LSDB18



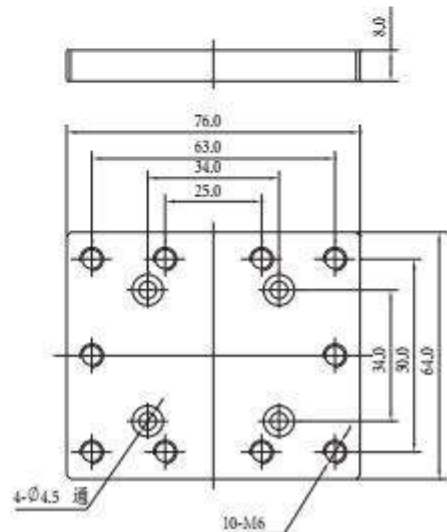


Jiangxi Liansheng Technology Co.,Ltd  
Address: Room 402, No.1277, No. 95, Fushan Yi Lu, The Economic  
Development Area of Xiaolan, Nanchang, Jiangxi, China  
Tel: +8679188224426 Email: [sales2@opticaltable.cn](mailto:sales2@opticaltable.cn)  
Web: [www.opticaltable.com](http://www.opticaltable.com) / Contact: GraceDuan

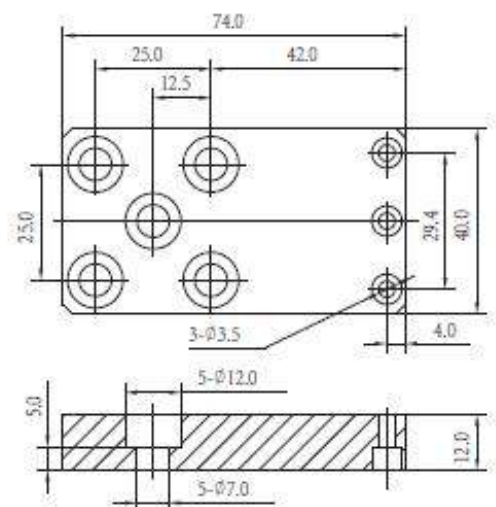
LSDB18A



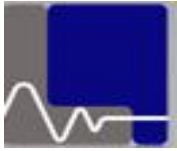
LSDB19



LSDB20

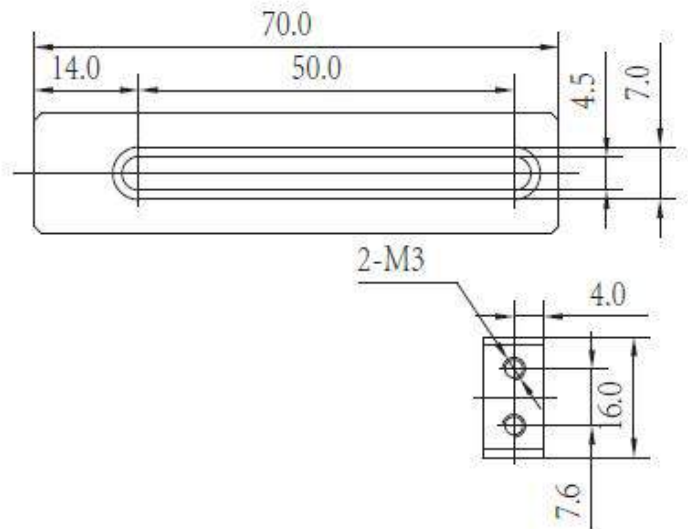




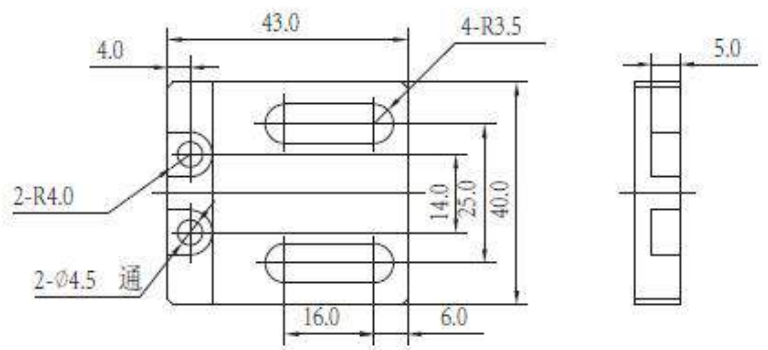


Jiangxi Liansheng Technology Co.,Ltd  
Address: Room 402, No.1277, No. 95, Fushan Yi Lu, The Economic  
Development Area of Xiaolan, Nanchang, Jiangxi, China  
Tel: +8679188224426 Email: [sales2@opticaltable.cn](mailto:sales2@opticaltable.cn)  
Web: [www.opticaltable.com](http://www.opticaltable.com) / Contact: GraceDuan

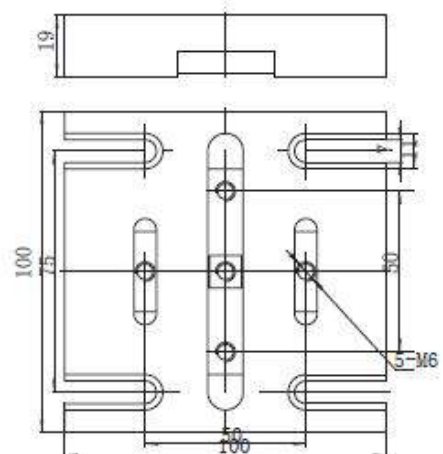
LSDB21

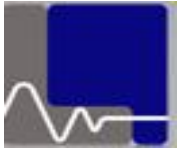


LSDB22



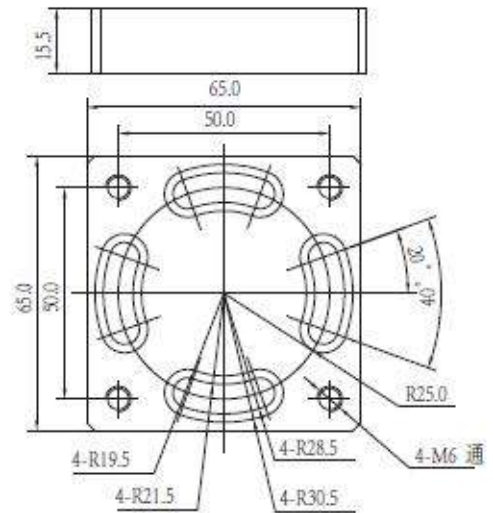
LSDB23



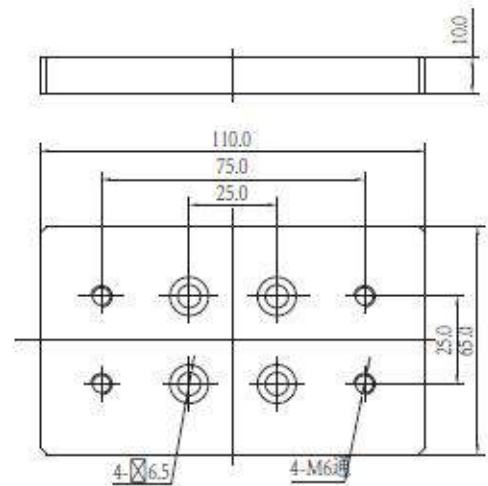


Jiangxi Liansheng Technology Co.,Ltd  
Address: Room 402, No.1277, No. 95, Fushan Yi Lu, The Economic  
Development Area of Xiaolan, Nanchang, Jiangxi, China  
Tel: +8679188224426 Email: [sales2@opticaltable.cn](mailto:sales2@opticaltable.cn)  
Web: [www.opticaltable.com](http://www.opticaltable.com) / Contact: GraceDuan

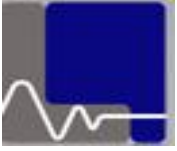
LSDB24



LSDB25



**Notes: Special dimension of mounting base clamps can be customized upon request!**



Jiangxi Liansheng Technology Co.,Ltd  
Address: Room 402, No.1277, No. 95, Fushan Yi Lu, The Economic  
Development Area of Xiaolan, Nanchang, Jiangxi, China  
Tel: +8679188224426 Email: [sales2@opticaltable.cn](mailto:sales2@opticaltable.cn)  
Web: [www.opticaltable.com](http://www.opticaltable.com) Contact: GraceDuan

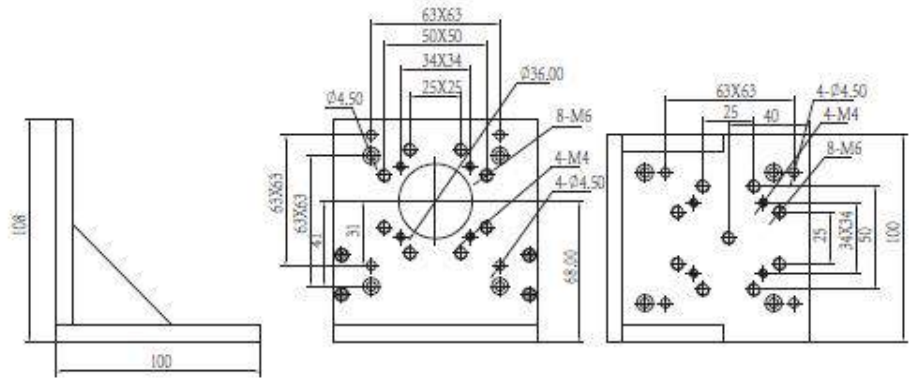
#### 4. Right Angle Mounting Plate/Adapters LSZJ Series

##### Product Features:

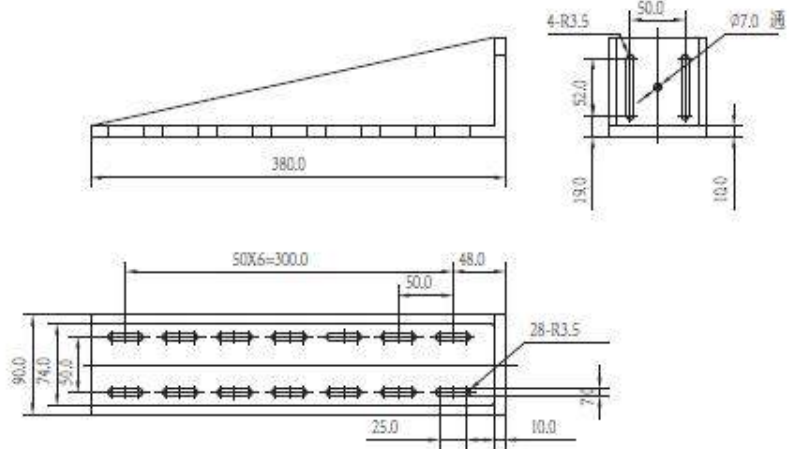
- For assembly one single axis positioning stages to XY, XYZ and other multiple -Axis stages
- All aluminum material with black anodized surface treatment, with standard mounting holes

##### Technical Specs per Model:

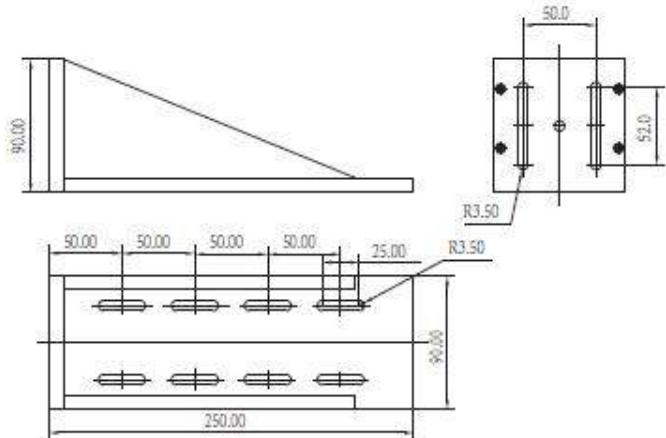
LSZJ1



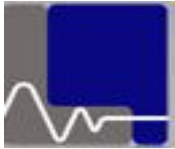
LSZJ2



LSZJ3



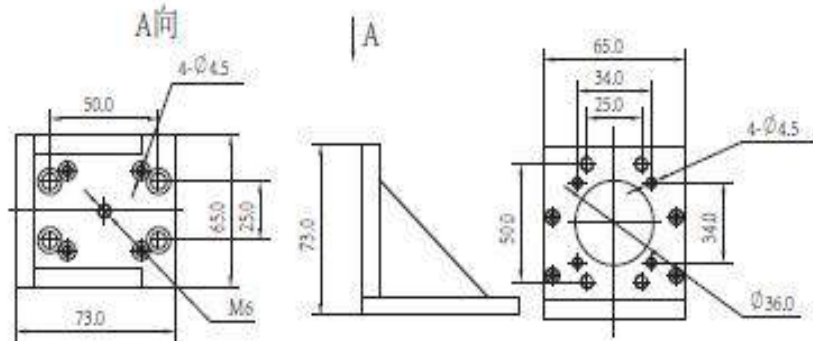




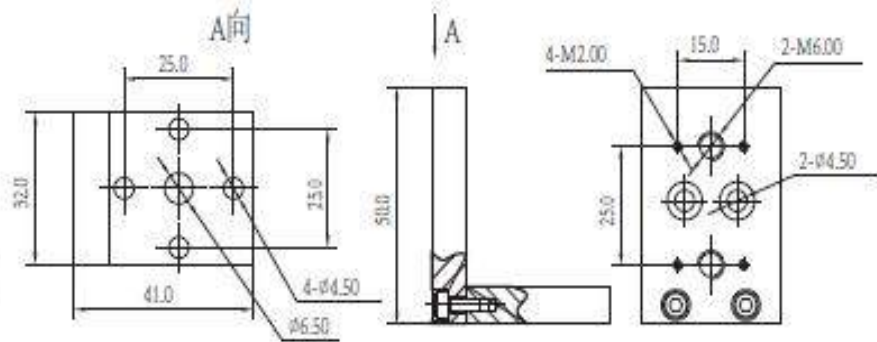
Jiangxi Liansheng Technology Co.,Ltd  
Address: Room 402, No.1277, No. 95, Fushan Yi Lu, The Economic  
Development Area of Xiaolan, Nanchang, Jiangxi, China  
Tel: +8679188224426 Email: [sales2@opticaltable.cn](mailto:sales2@opticaltable.cn)

Web:[www.opticaltable.com](http://www.opticaltable.com)/Contact: GraceDuan

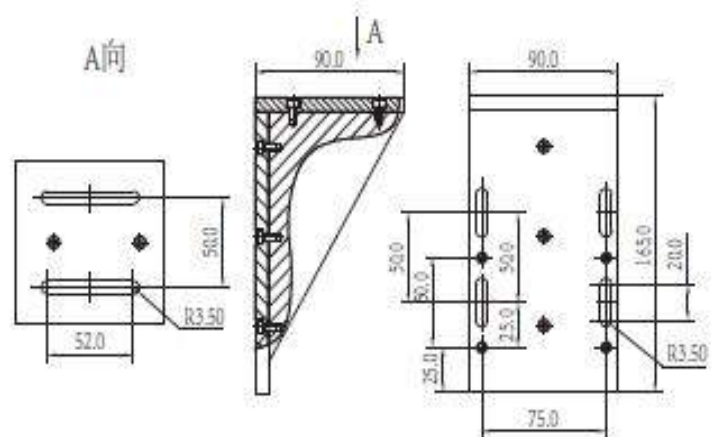
LSZJ4

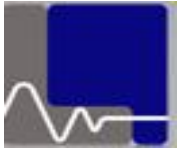


LSZJ5



LSZJ6

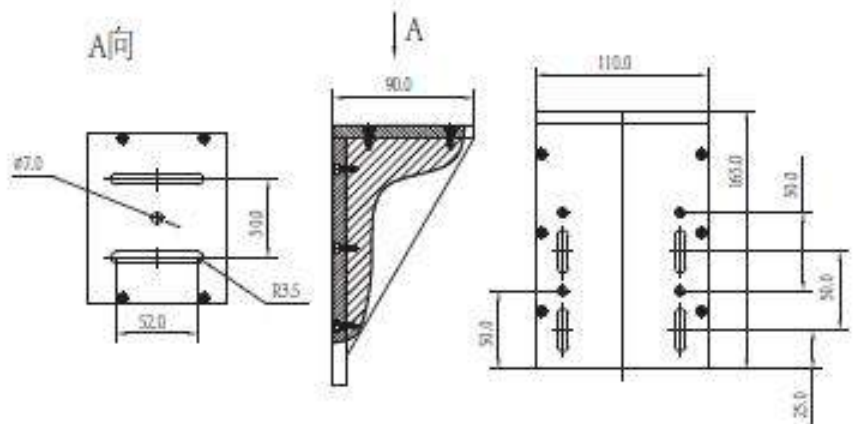




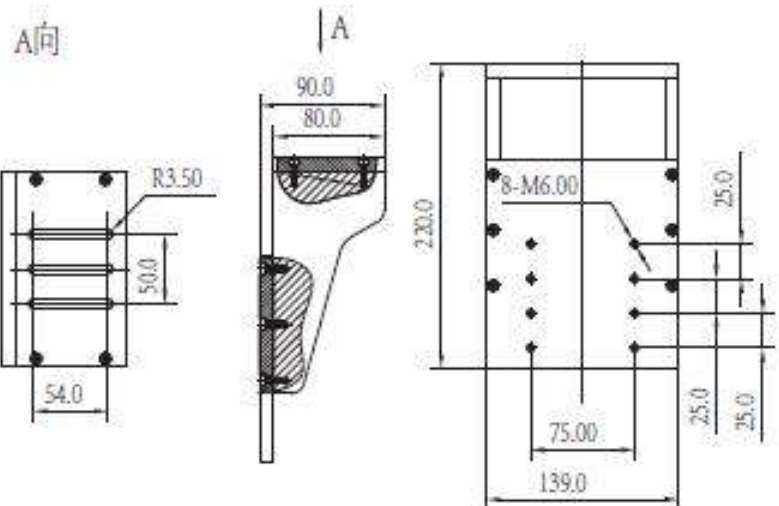
Jiangxi Liansheng Technology Co.,Ltd  
Address: Room 402, No.1277, No. 95, Fushan Yi Lu, The Economic  
Development Area of Xiaolan, Nanchang, Jiangxi, China  
Tel: +8679188224426 Email: [sales2@opticaltable.cn](mailto:sales2@opticaltable.cn)

Web: [www.opticaltable.com](http://www.opticaltable.com) / Contact: GraceDuan

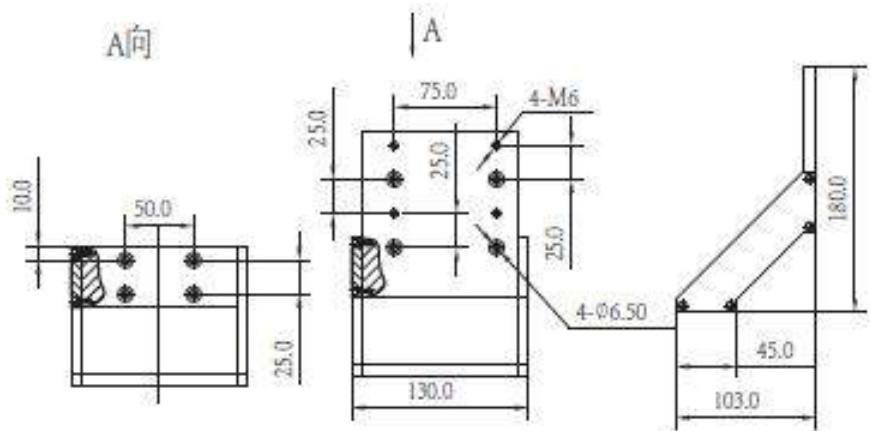
LSZJ7

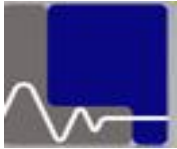


LSZJ8



LSZJ9





Jiangxi Liansheng Technology Co.,Ltd  
Address: Room 402, No.1277, No. 95, Fushan Yi Lu, The Economic  
Development Area of Xiaolan, Nanchang, Jiangxi, China  
Tel: +8679188224426 Email: [sales2@opticaltable.cn](mailto:sales2@opticaltable.cn)

Web: [www.opticaltable.com](http://www.opticaltable.com) / Contact: GraceDuan

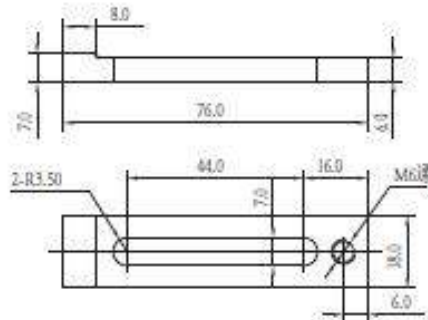
## 5. Base Clamps LSYB Series

### Product Features:

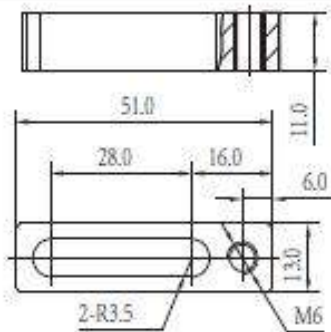
- For assembly and mounting of opto-mechanics products
- All aluminum material with black anodized surface treatment, with standard mounting holes

### Technical Specs per Model:

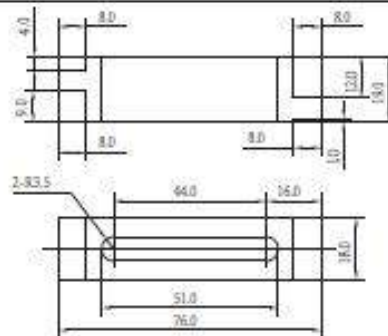
LSYB1



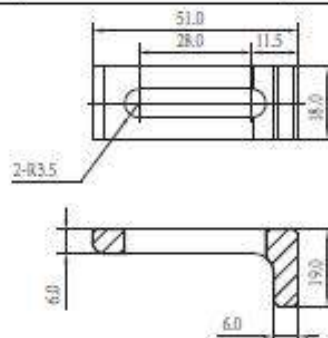
LSYB2

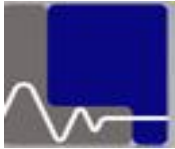


LSYB3



LSYB4

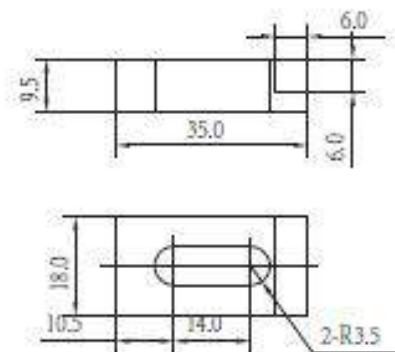




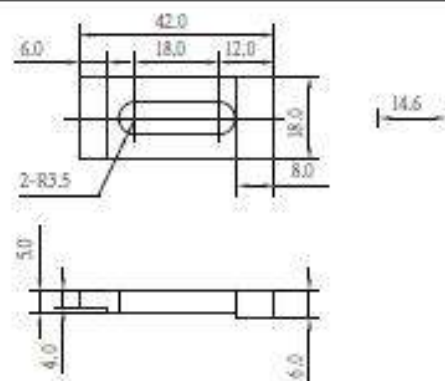
Jiangxi Liansheng Technology Co.,Ltd  
Address: Room 402, No.1277, No. 95, Fushan Yi Lu, The Economic  
Development Area of Xiaolan, Nanchang, Jiangxi, China  
Tel: +8679188224426 Email: [sales2@opticaltable.cn](mailto:sales2@opticaltable.cn)

Web:[www.opticaltable.com](http://www.opticaltable.com)/Contact: GraceDuan

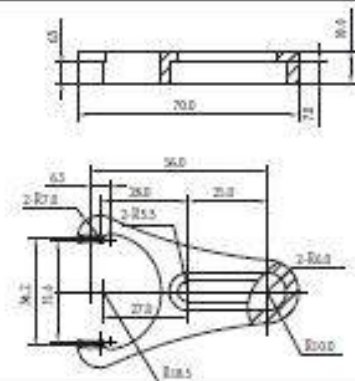
LSYB5



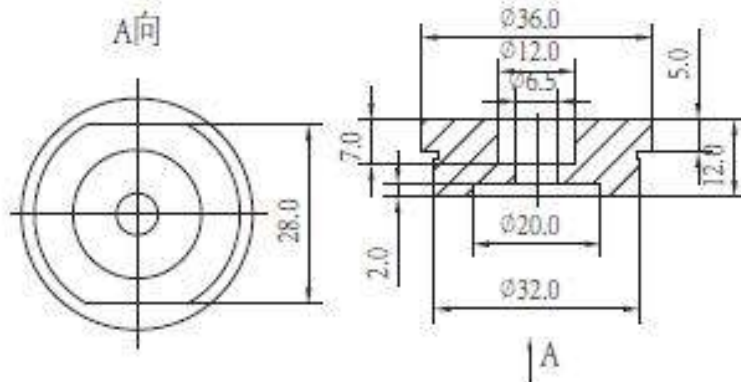
LSYB6



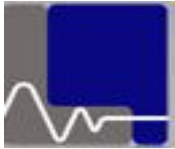
LSYB7



LSYB8







Jiangxi Liansheng Technology Co.,Ltd  
 Address: Room 402, No.1277, No. 95, Fushan Yi Lu, The Economic  
 Development Area of Xiaolan, Nanchang, Jiangxi, China  
 Tel: +8679188224426 Email: [sales2@opticaltable.cn](mailto:sales2@opticaltable.cn)  
 Web: [www.opticaltable.com](http://www.opticaltable.com) / Contact: GraceDuan

## 6. Optical Post and Post Holders LSZG1 Series

### LSZG1 Series

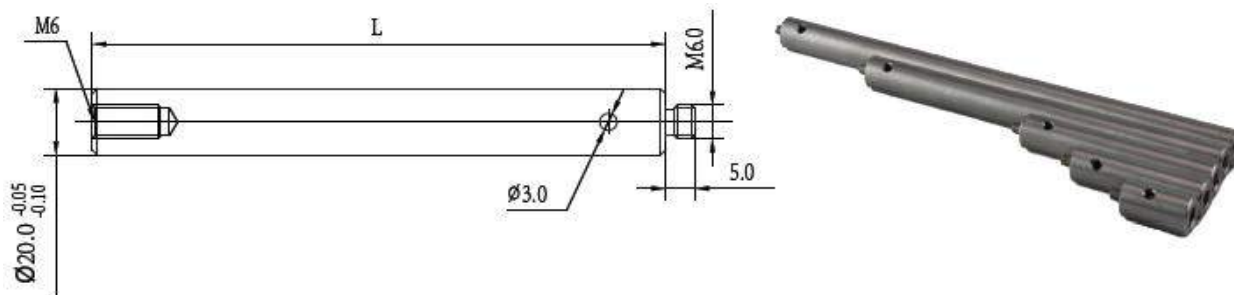
#### Product Features:

- With high quality stainless steel material
- Can be Integrated/interfaced with other Opto-mechanics products of our company

#### Technical Specs:

Model	LSZG1-25	LSZG1-50	LSZG1-50	LSZG1-100	LSZG1-150	LSZG2-200	LSZG1-300
Diameter	12mm						
Thread Screw	M6 Internal in one end and M6 External in another end						
L	25	50	75	100	150	200	300
Net Weight:	0.025kg	0.05kg	0.075kg	0.1kg	0.15kg	0.2kg	0.3kg

#### Product Pictures & Technical Drawing

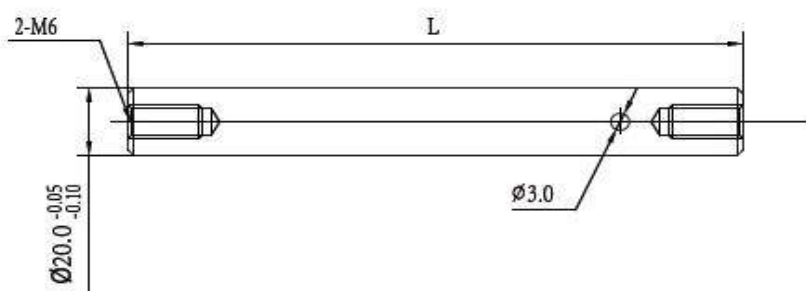


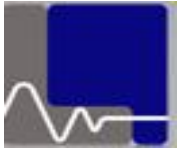
### LSZG2 Series

#### Technical Specs:

Model	LSZG2-25	LSZG2-50	LSZG2-50	LSZG2-100	LSZG2-150	LSZG2-200	LSZG2-300
Diameter	12mm						
Thread Screw	M6 Internal in both ends						
L	25	50	75	100	150	200	300
Net Weight:	0.025kg	0.05kg	0.075kg	0.1kg	0.15kg	0.2kg	0.3kg

#### Product Pictures & Technical Drawing





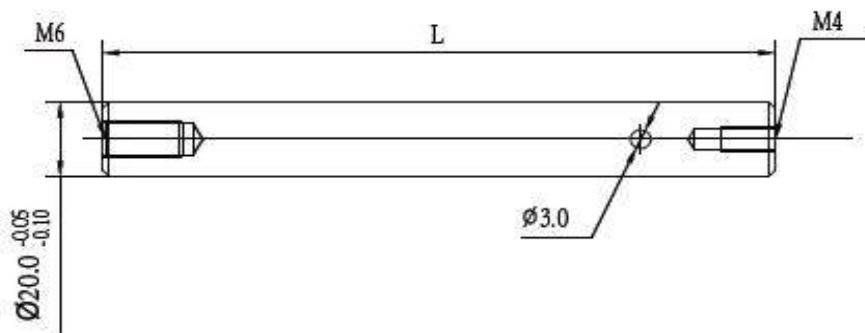
Jiangxi Liansheng Technology Co.,Ltd  
 Address: Room 402, No.1277, No. 95, Fushan Yi Lu, The Economic  
 Development Area of Xiaolan, Nanchang, Jiangxi, China  
 Tel: +8679188224426 Email: [sales2@opticaltable.cn](mailto:sales2@opticaltable.cn)  
 Web: [www.opticaltable.com](http://www.opticaltable.com) / Contact: GraceDuan

### LSZG3 Series

#### Technical Specs:

Model	LSZG3-25	LSZG3-50	LSZG3-50	LSZG3-100	LSZG3-150	LSZG3-200	LSZG3-300
Diameter	12mm						
Thread Screw	M4 Internal in one end and M6 Internal in another end						
L	25	50	75	100	150	200	300
Net Weight:	0.025kg	0.05kg	0.075kg	0.1kg	0.15kg	0.2kg	0.3kg

#### Product Pictures & Technical Drawing

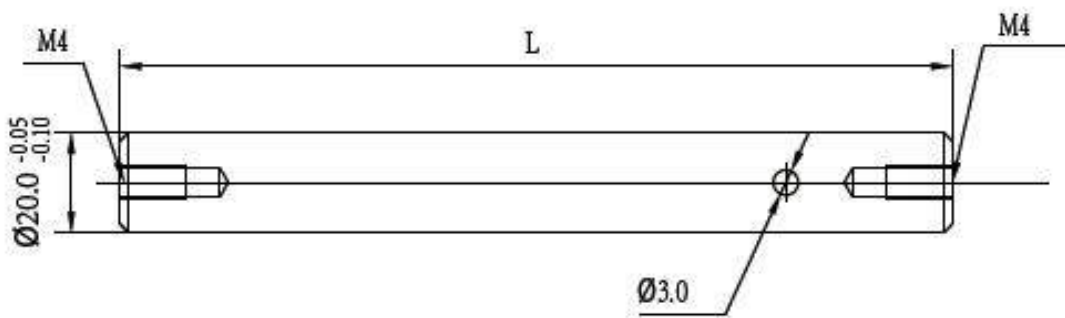


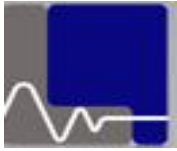
### LSZG4 Series

#### Technical Specs:

Model	LSZG4-25	LSZG4-50	LSZG4-50	LSZG4-100	LSZG4-150	LSZG4-200	LSZG4-300
Diameter	12mm						
Thread Screw	M4 Internal in both ends						
L	25	50	75	100	150	200	300
Net Weight:	0.025kg	0.05kg	0.075kg	0.1kg	0.15kg	0.2kg	0.3kg

#### Product Pictures & Technical Drawing





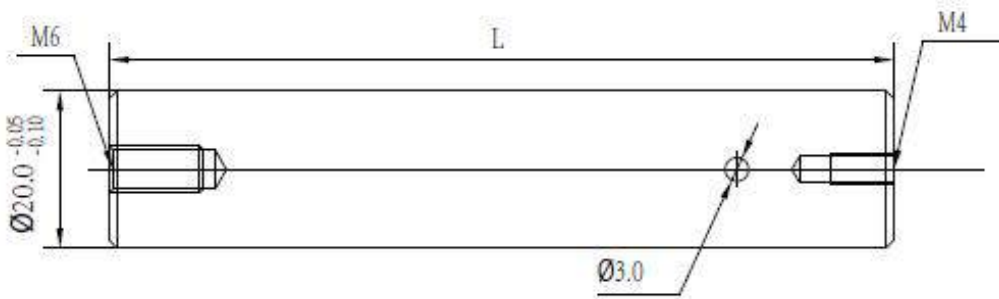
Jiangxi Liansheng Technology Co.,Ltd  
 Address: Room 402, No.1277, No. 95, Fushan Yi Lu, The Economic  
 Development Area of Xiaolan, Nanchang, Jiangxi, China  
 Tel: +8679188224426 Email: [sales2@opticaltable.cn](mailto:sales2@opticaltable.cn)  
 Web: [www.opticaltable.com](http://www.opticaltable.com) Contact: GraceDuan

### LSZG5 Series

#### Technical Specs:

Model	LSZG5-25	LSZG5-50	LSZG5-50	LSZG5-100	LSZG5-150	LSZG5-200	LSZG5-300
Diameter	20mm						
Thread Screw	M6 Internal in one end and M4 Internal in the other end						
L	25	50	75	100	150	200	300
Net Weight:	0.06kg	0.12kg	0.18kg	0.24kg	0.34kg	0.48kg	0.72kg

#### Product Pictures & Technical Drawing

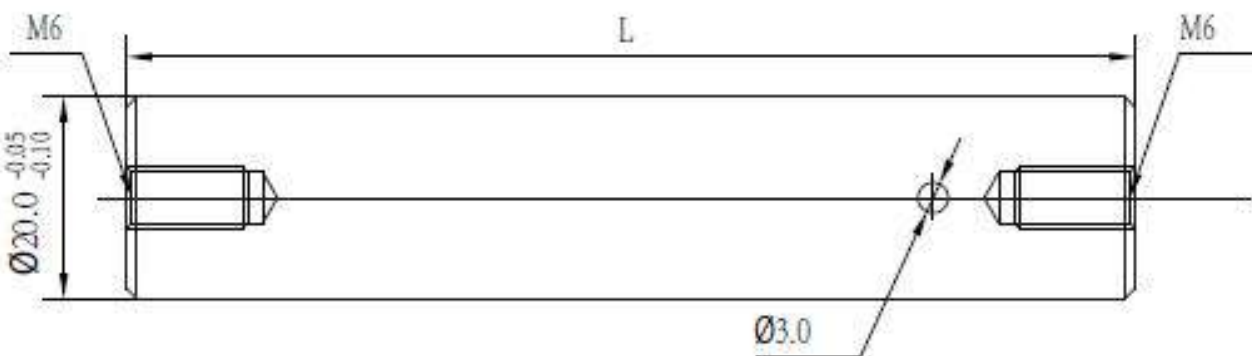


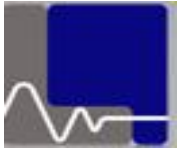
### LSZG6 Series

#### Technical Specs:

Model	LSZG6-25	LSZG6-50	LSZG6-50	LSZG6-100	LSZG6-150	LSZG6-200	LSZG6-300
Diameter	20mm						
Thread Screw	M6 Internal in both ends						
L	25	50	75	100	150	200	300
Net Weight:	0.06kg	0.12kg	0.18kg	0.24kg	0.34kg	0.48kg	0.72kg

#### Product Pictures & Technical Drawing





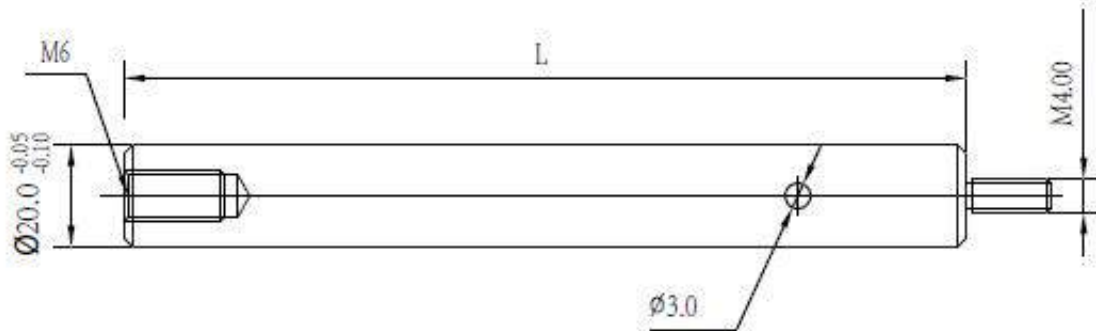
Jiangxi Liansheng Technology Co.,Ltd  
 Address: Room 402, No.1277, No. 95, Fushan Yi Lu, The Economic  
 Development Area of Xiaolan, Nanchang, Jiangxi, China  
 Tel: +8679188224426 Email: [sales2@opticaltable.cn](mailto:sales2@opticaltable.cn)  
 Web: [www.opticaltable.com](http://www.opticaltable.com) Contact: GraceDuan

### LSZG7 Series

#### Technical Specs:

Model	LSZG7-25	LSZG7-50	LSZG7-50	LSZG7-100	LSZG7-150	LSZG7-200	LSZG7-300
Diameter	20mm						
Thread Screw	M6 Internal in one end & M4 External in another end						
L	25	50	75	100	150	200	300
Net Weight:	0.06kg	0.12kg	0.18kg	0.24kg	0.34kg	0.48kg	0.72kg

#### Product Pictures & Technical Drawing

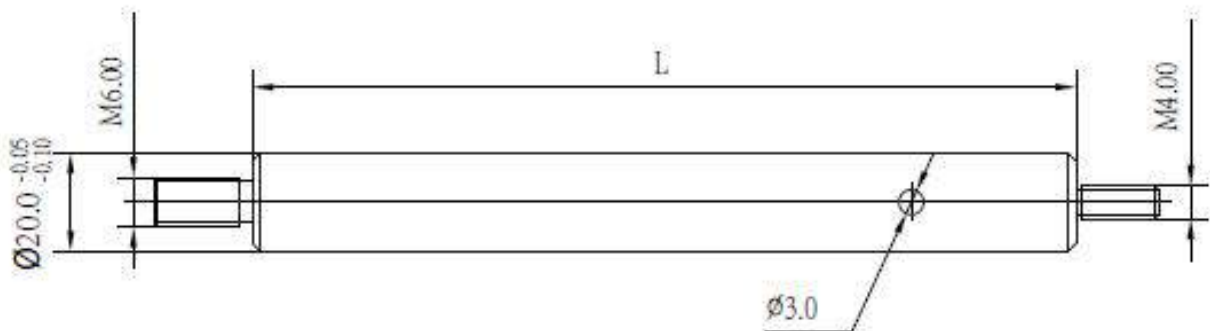


### LSZG8 Series

#### Technical Specs:

Model	LSZG8-25	LSZG8-50	LSZG8-50	LSZG8-100	LSZG8-150	LSZG8-200	LSZG8-300
Diameter	20mm						
Thread Screw	M6 External in one end & M4 External in another end						
L	25	50	75	100	150	200	300
Net Weight:	0.06kg	0.12kg	0.18kg	0.24kg	0.34kg	0.48kg	0.72kg

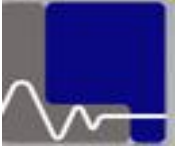
#### Product Pictures & Technical Drawing





## JIANGXI BLUNDELL NETWORK TECHNOLOGY CO., LTD.

Address: ROOM 1010-1011, HALL H, MING ZHU SQUARE, NO.49, JIEFANGXILU, NANCHANG, JIANGXI, CHINA



Tel: +86 79186713680  
Web: [www.opticaltable.com](http://www.opticaltable.com)

Email: [sales2@opticaltable.cn](mailto:sales2@opticaltable.cn)  
Contact: Grace Duan

### 7. Optical Post Holders LSGJ1 Series

#### LSGJ1 Series

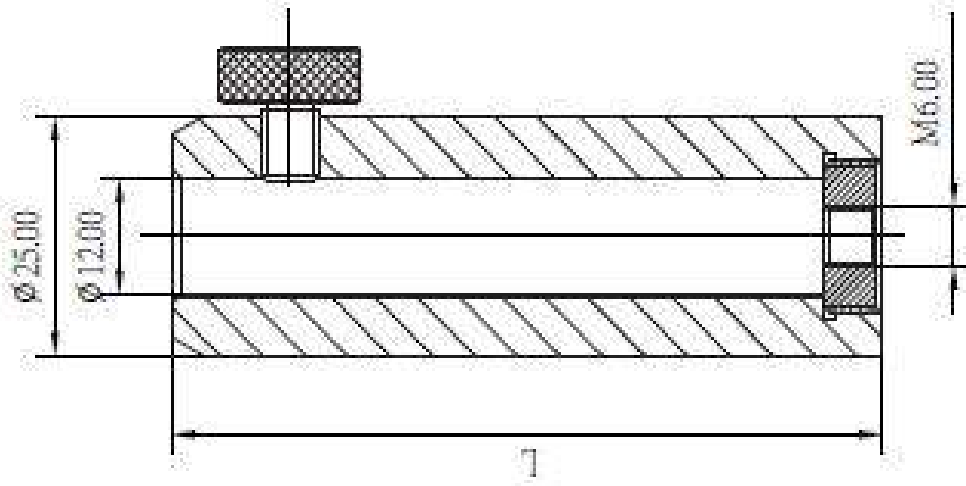
##### Product Features:

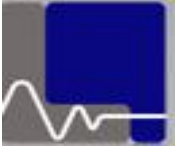
- M6 mounting hole on the bottom
- Can be Integrated/interfaced with other Opto-mechanics products of our company

##### Technical Specs:

Model	LSGJ1-25	LSGJ1-50	LSGJ1-75	LSGJ1-100	LSGJ1-150
L	25	50	75	100	150
Net Weight:	0.025kg	0.05kg	0.75kg	0.1kg	0.15kg

#### Product Pictures & Technical Drawing





## JIANGXI BLUNDELL NETWORK TECHNOLOGY CO., LTD.

Address: ROOM 1010-1011, HALL H, MING ZHU SQUARE, NO.49, JIEFANGXILU, NANCHANG, JIANGXI, CHINA

Tel: 0791-88224426

Email: [sales2@opticaltable.cn](mailto:sales2@opticaltable.cn)

Web: [www.opticaltable.com](http://www.opticaltable.com)

Contact: Grace Duan

com

### LSGJ2 Series

---

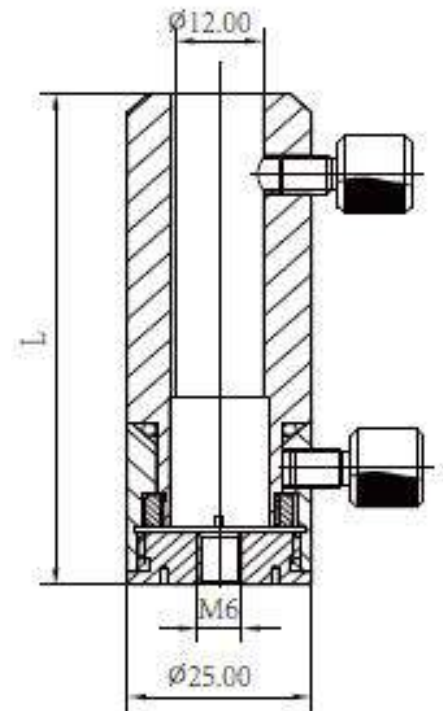
#### Product Features:

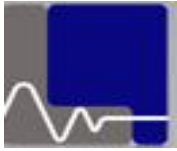
- 360° rotation, lockable mechanism and V-shaped slot for stable mounting with post.
- Can be Integrated/interfaced with other Opto-mechanics products of our company

#### Technical Specs:

Model	LSGJ2-50	LSGJ2-76	LSGJ2-102
L	50	76	102
Net Weight:	0.025kg	0.1kg	0.12kg

#### Product Pictures & Technical Drawing





## JIANGXI BLUNDELL NETWORK TECHNOLOGY CO., LTD.

Address: ROOM 1010-1011, HALL H, MING ZHU SQUARE, NO.49, JIEFANGXILU, NANCHANG, JIANGXI, CHINA

Tel:0791-88224426

Email:[sales2@opticaltable.cn](mailto:sales2@opticaltable.cn)

Web:[www.opticaltable.com](http://www.opticaltable.com)

Contact: Grace Duan

### LSGJ3 Series

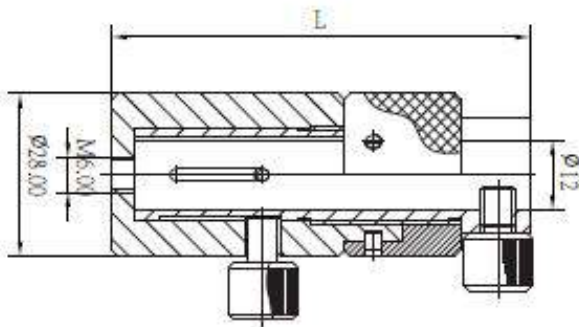
#### Product Features:

- Fine adjustment in height adjustment.
- Can be Integrated/interfaced with other Opto-mechanics products of our company

#### Technical Specs:



Model	LSGJ3-15	LSGJ3-25
Adjustment Height Range	72-87mm	95-120mm
Net Weight:	0.1kg	0.15kg

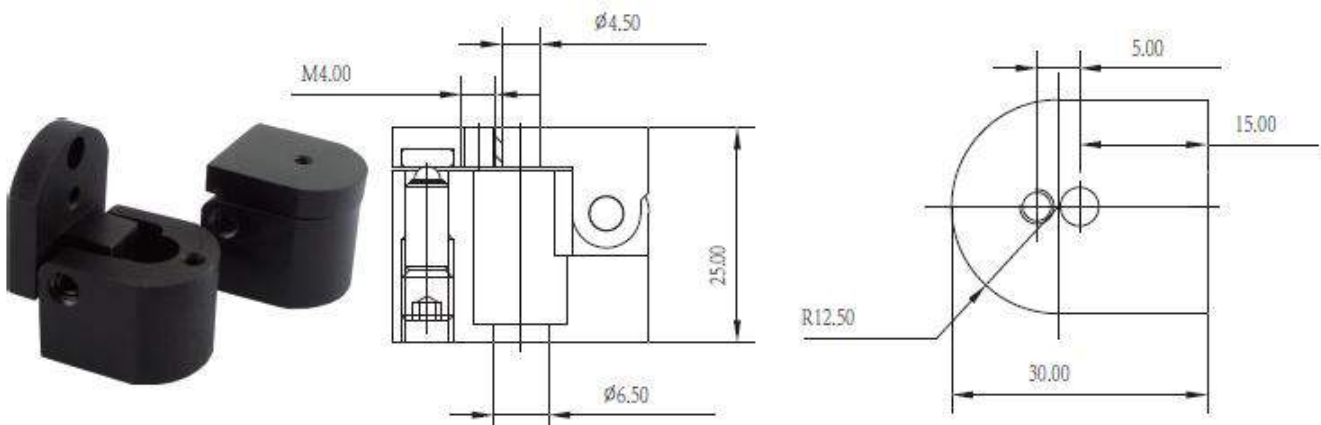


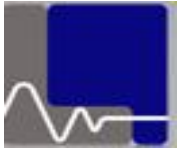
### LSGJ4

#### Product Features:

- Turn-over angle 90°
- Can be Integrated/interfaced with other Opto-mechanics products of our company

#### Technical Specs:





## JIANGXI BLUNDELL NETWORK TECHNOLOGY CO., LTD.

Address: ROOM 1010-1011, HALL H, MING ZHU SQUARE, NO.49, JIEFANGXILU, NANCHANG, JIANGXI, CHINA

Tel: 0791-88224426

Email: [sales2@opticaltable.cn](mailto:sales2@opticaltable.cn)

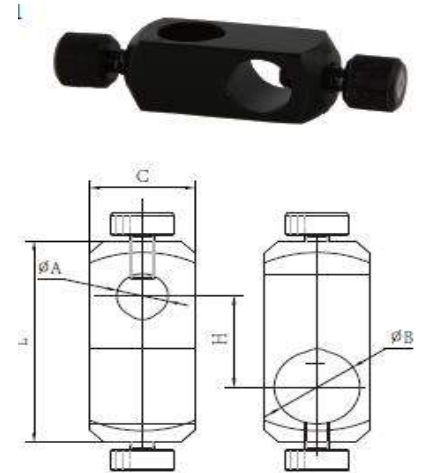
Web: [www.opticaltable.com](http://www.opticaltable.com) Contact: Grace Duan

### 8. Optical Crossed Post Holders LSJC1 Series

#### LSJC1 Series

##### Technical Specs:

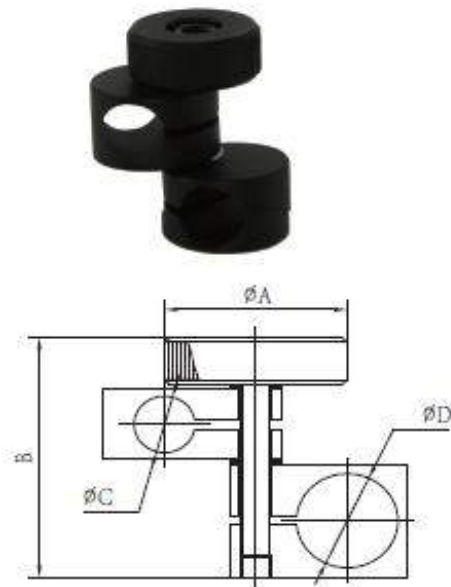
Model	LSJC1-12-12	LSJC1-12-20	LSJC1-20-20
A	12	12	20
B	12	20	20
C	16	25	25
H	25	25	25
L	38	55	55
Net Weight:	0.03kg	0.06kg	0.07kg



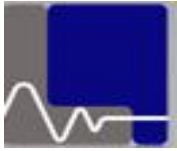
#### LSJC2 Series

##### Technical Specs:

Model	LSJC2-12-12	LSJC2-12-20	LSJC2-20-20
A	26	36	36
B	42	51	60
C	12	12	20
D	12	20	20
Net Weight:	0.05kg	0.06kg	0.06kg







## JIANGXI BLUNDELL NETWORK TECHNOLOGY CO., LTD.

Address: Room 402, No.1277, No. 95, Fushan Yi Lu, The Economic Development Area of Xiaolan, Nanchang, Jiangxi, China

Tel: 0791-88224426

Email: [sales2@opticaltable.cn](mailto:sales2@opticaltable.cn)

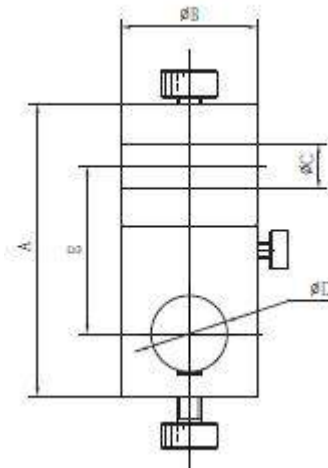
Web: [www.opticaltable.com](http://www.opticaltable.com)

Contact: Grace Duan

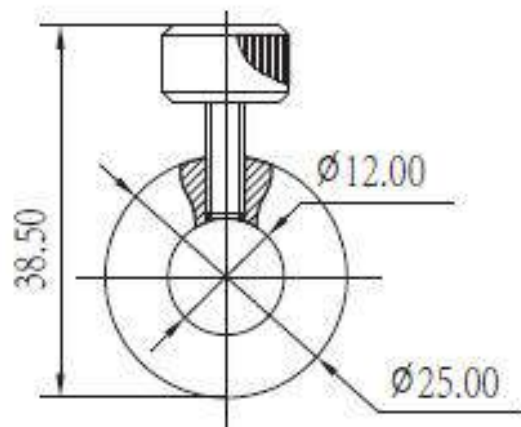
### LSJC3 Series

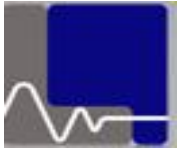
#### Technical Specs:

Model	LSJC3-12-12	LSJC3-12-20	LSJC3-20-20
A	60	77	77
B	30	36	36
C	12	12	20
D	12	20	20
E	33	44	44
Net Weight:	0.12kg	0.15kg	0.15kg



### LSZG12P





Jiangxi Liansheng Technology Co.,Ltd  
 Address: Room 402, No.1277, No. 95, Fushan Yi Lu, The Economic  
 Development Area of Xiaolan, Nanchang, Jiangxi, China

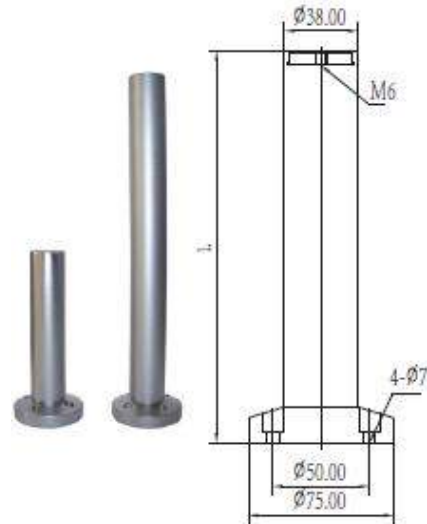
Tel: +8679188224426      Email: [sales2@opticaltable.cn](mailto:sales2@opticaltable.cn)  
 Web:www.opticaltable.com      Contact: Grace Duan

## 9. Optical Support Rods and Clamps LSZB1 Series

### LSZB1 Series

#### Technical Specs:

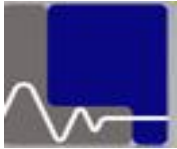
Model	LSZB1-78	LSZB1-356
L	178	356
Net Weight:	1kg	1.5kg



### LSZB1 Series

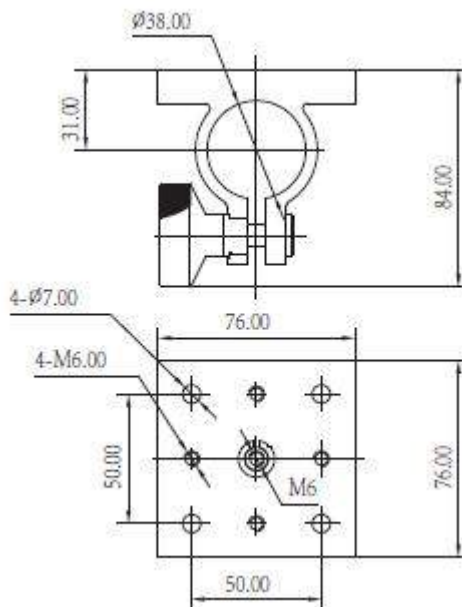
Model	LSZB2-78	LSZB2-356
L	178	356
Net Weight:	1kg	1.5kg





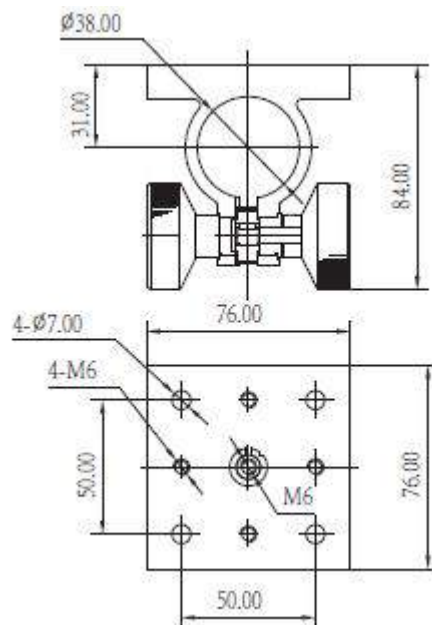
Jiangxi Liansheng Technology Co.,Ltd  
Address: Room 402, No.1277, No. 95, Fushan Yi Lu, The Economic  
Development Area of Xiaolan, Nanchang, Jiangxi, China  
Tel: +8679188224426 Email: [sales2@opticaltable.cn](mailto:sales2@opticaltable.cn)  
Web: [www.opticaltable.com](http://www.opticaltable.com) Contact: GraceDuan

### LSJJ1-38



Net Weight:0.45kg

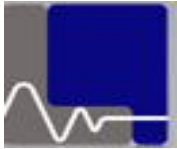
### LSJJ2-38



Net Weight: 0.5kg







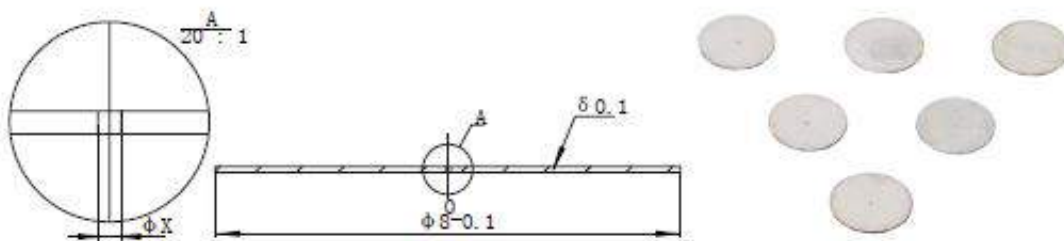
Jiangxi Liansheng Technology Co.,Ltd  
 Address: Room 402, No.1277, No. 95, Fushan Yi Lu, The Economic  
 Development Area of Xiaolan, Nanchang, Jiangxi, China  
 Tel: +8679188224426 Email: [sales2@opticaltable.cn](mailto:sales2@opticaltable.cn)  
 Web: [www.opticaltable.com](http://www.opticaltable.com) Contact: GraceDuan

## 10. Optical Pinhole LSZK1 Series

### LSZK1 Series

#### Technical Specs:

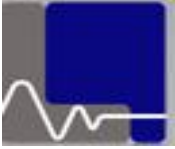
Model	LSZK1-10	LSZK1-15	LSZK1-20	LSZK1-30	LSZK1-50	LSZK1-70	LSZK1-100
Pinhole Diameters	10 $\mu$ m	15 $\mu$ m	20 $\mu$ m	30 $\mu$ m	50 $\mu$ m	70 $\mu$ m	100 $\mu$ m



### Prototype Pinhole Holder LSZK1-P

For installation and mounting of Pinhole LSKZ1 series.





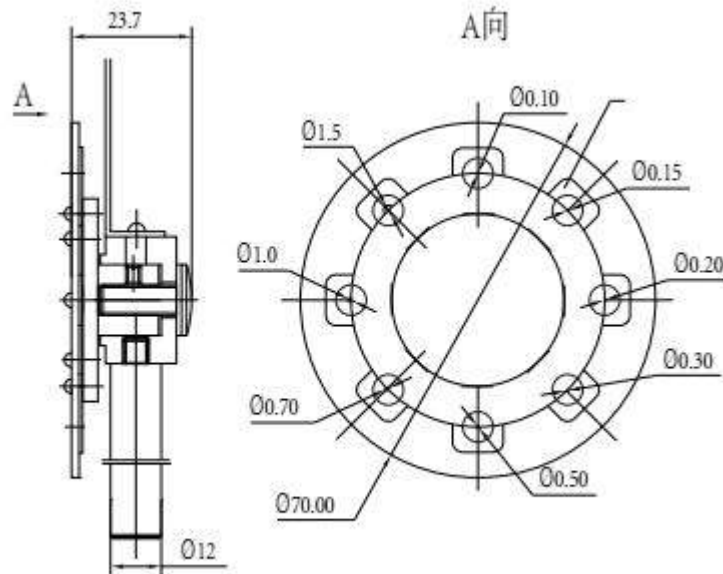
Jiangxi Liansheng Technology Co.,Ltd  
Address: Room 402, No.1277, No. 95, Fushan Yi Lu, The Economic  
Development Area of Xiaolan, Nanchang, Jiangxi, China  
Tel: +8679188224426 Email: [sales2@opticaltable.cn](mailto:sales2@opticaltable.cn)  
Web: [www.opticaltable.com](http://www.opticaltable.com) Contact: GraceDuan

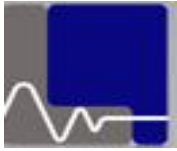
## LSZK2 Series

---

### Technical Specs:

- Rotary pinhole board for easy change of pinholes
- Net Weight: 0.2kg





Jiangxi Liansheng Technology Co.,Ltd  
 Address: Room 402, No.1277, No. 95, Fushan Yi Lu, The Economic  
 Development Area of Xiaolan, Nanchang, Jiangxi, China  
 Tel: +8679188224426 Email: [sales2@opticaltable.cn](mailto:sales2@opticaltable.cn)

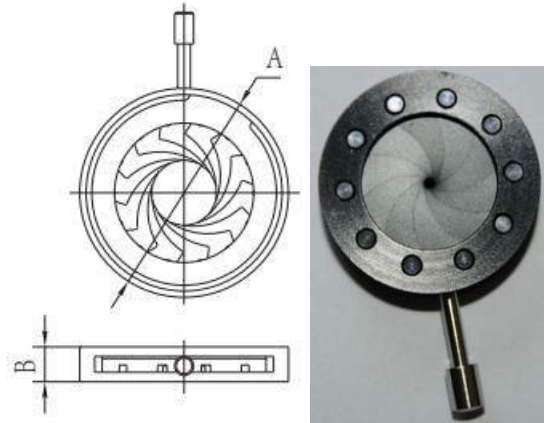
Web: [www.opticaltable.com](http://www.opticaltable.com) Contact: GraceDuan

## 11. Aperture Adjustable Iris Diaphragms LSGL1 Series

### LSGL1 Series

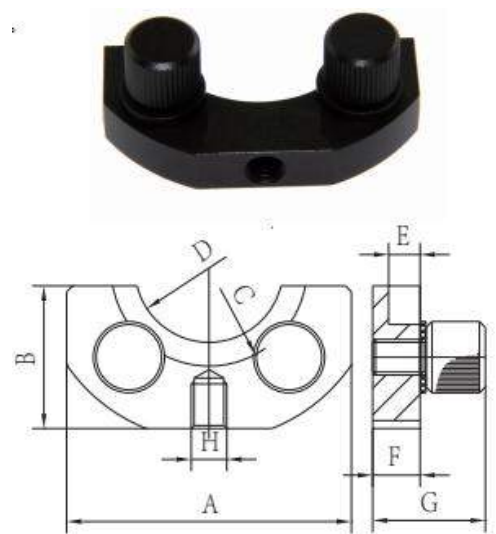
#### Technical Specs:

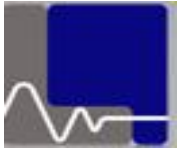
Model	LSGL1-10	LSGL1-22	LSGL1-36	LSGL1-42
Aperture Hole Diameter	1.2-10mm	1.5-22mm	1.5-36mm	2-42mm
A	20	37	56	58
B	5	5.5	6.1	6.5
Net Weight:	0.004kg	0.005kg	0.008kg	0.017kg



### Iris Diaphragms Mount LSGL1-P Series

Model	LSGL1-10-P	LSGL1-22-P	LSGL1-36-P	LSGL1-42-P
Aperture Hole Diameter	1.2-10mm	1.5-22mm	1.5-36mm	2-42mm
A	24	48	60	70
B	20	24	32	35
C	R10	R16.5	R25	R29
D	R6.5	R12.5	R117	R24
E	4.8	5.3	7.5	6
F	6	8	10	9
G	18	20	22	21
H	M4	M6	M6	M6
Net Weight	0.017kg	0.019kg	0.038kg	0.040kg





Jiangxi Liansheng Technology Co.,Ltd  
Address: Room 402, No.1277, No. 95, Fushan Yi Lu, The Economic  
Development Area of Xiaolan, Nanchang, Jiangxi, China  
Tel: +8679188224426 Email: [sales2@opticaltable.cn](mailto:sales2@opticaltable.cn)  
Web: [www.opticaltable.com](http://www.opticaltable.com) Contact: GraceDuan

## 11. Microscope Objective Lens LSWJ1 series

---

### LSWJ Series

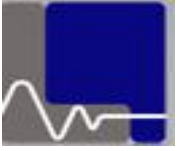
#### Technical Specs:

-Standard mounting thread screws

Model	LSWJ1-4	LSWJ1-10	LSWJ1-20	LSWJ1-40	LSWJ1-60	LSWJ1-100
Aperture Hole Diameter	0.10	0.25	0.40	0.65	0.85	1.25
Focus Length(mm)	31	17.13	8.9	4.65	2.969	2.906
Working Distance (mm)	37.5	7.36	0.78	0.632	0.59	0.198







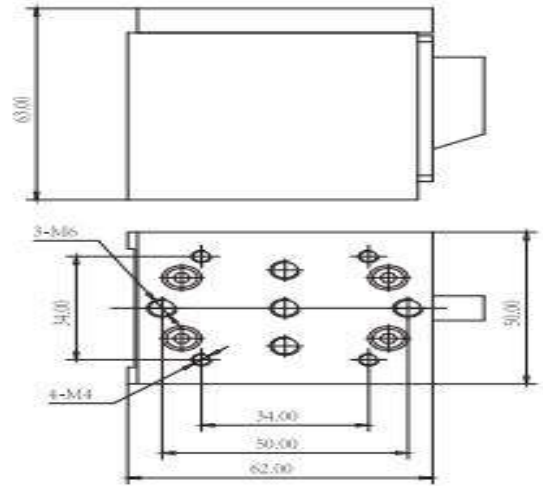
Jiangxi Liansheng Technology Co.,Ltd  
Address: Room 402, No.1277, No. 95, Fushan Yi Lu, The Economic  
Development Area of Xiaolan, Nanchang, Jiangxi, China  
Tel: +8679188224426 Email: [sales2@opticaltable.cn](mailto:sales2@opticaltable.cn)  
Web: [www.opticaltable.com](http://www.opticaltable.com) Contact: GraceDuan

## 12. Optical Magnetic Mounting Base LSCL Series

### Magnetic Mounting Base LSCL1

#### Technical Specs:

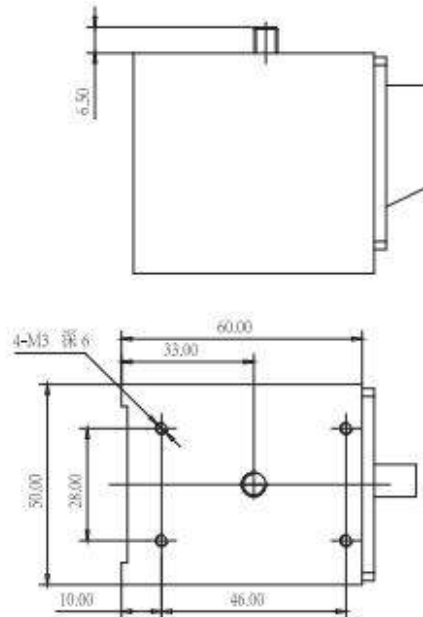
- Magnetism holding power: 60kg
- Net Weight: 1kg

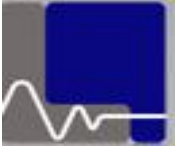


### Magnetic Mounting Base LSCL2

#### Technical Specs:

- Magnetism holding power: 60kg
- Net Weight: 1kg





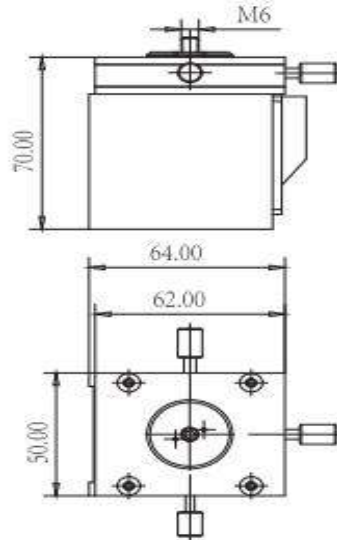
Jiangxi Liansheng Technology Co.,Ltd  
Address: Room 402, No.1277, No. 95, Fushan Yi Lu, The Economic  
Development Area of Xiaolan, Nanchang, Jiangxi, China  
Tel: +8679188224426 Email: [sales2@opticaltable.cn](mailto:sales2@opticaltable.cn)  
Web: [www.opticaltable.com](http://www.opticaltable.com) Contact: GraceDuan

### Magnetic Mounting Base LSCL3

---

#### Technical Specs:

- Magnetism holding power: 60kg XY adjustable range:  $\pm 2\text{mm}$
- Load Capacity: 30kg
- Net Weight: 1.1kg

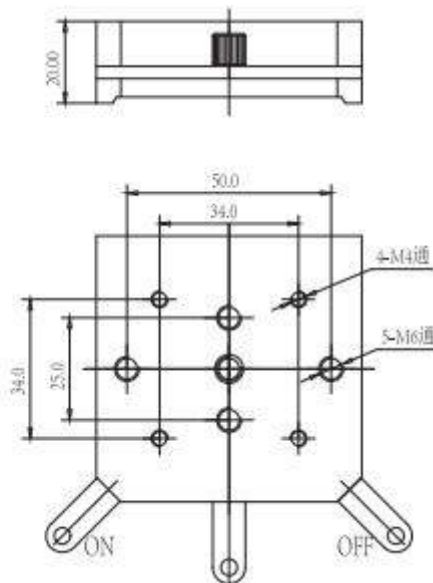


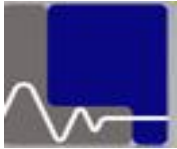
### Magnetic Mounting Base LSCL4

---

#### Technical Specs:

- Magnetism holding power: 0-23kg adjustable
- Thickness: 20mm
- Net Weight: 0.6kg





Jiangxi Liansheng Technology Co.,Ltd  
 Address: Room 402, No.1277, No. 95, Fushan Yi Lu, The Economic  
 Development Area of Xiaolan, Nanchang, Jiangxi, China  
 Tel: +8679188224426 Email: [sales2@opticaltable.cn](mailto:sales2@opticaltable.cn)  
 Web: [www.opticaltable.com](http://www.opticaltable.com) Contact: GraceDuan

### 13. Precision Spatial Filters LSLB Series

#### Precision Spatial Filters LSLB1

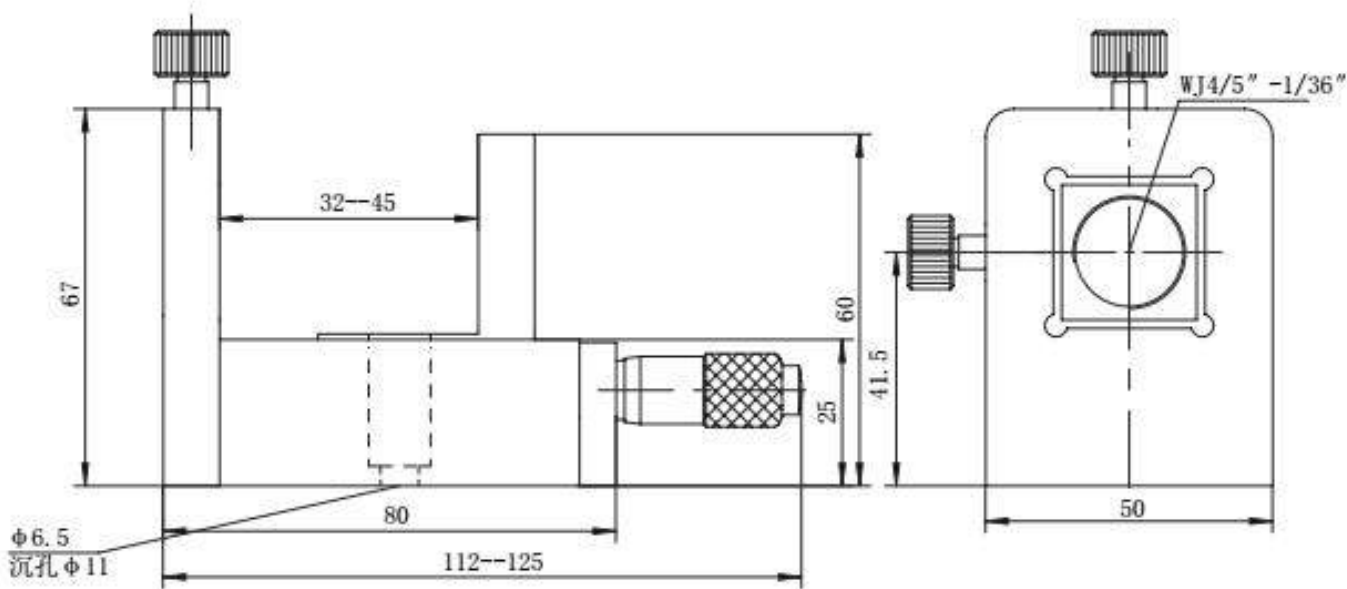
##### Technical Specs:

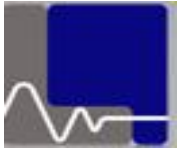
- Standard microscope objective lens mounting base and pinhole mounting base
- Micrometer screw adjustment
- Crossed roller linear guide rail
- Thread screw M6X0.25 for pinhole positioning adjustment

Model	LSLB1	
Objective lens adjustment	Tx	13mm
Pin hole Adjustment	Ty	± 1.5mm
	Tz	± 1.5mm
Mini Scaling	0.01mm	
Adjustment Accuracy	0.005mm	
Net weight	0.8kg	



##### Technical Drawings:





Jiangxi Liansheng Technology Co.,Ltd  
Address: Room 402, No.1277, No. 95, Fushan Yi Lu, The Economic  
Development Area of Xiaolan, Nanchang, Jiangxi, China  
Tel: +8679188224426 Email: [sales2@opticaltable.cn](mailto:sales2@opticaltable.cn)  
Web: [www.opticaltable.com](http://www.opticaltable.com) Contact: GraceDuan

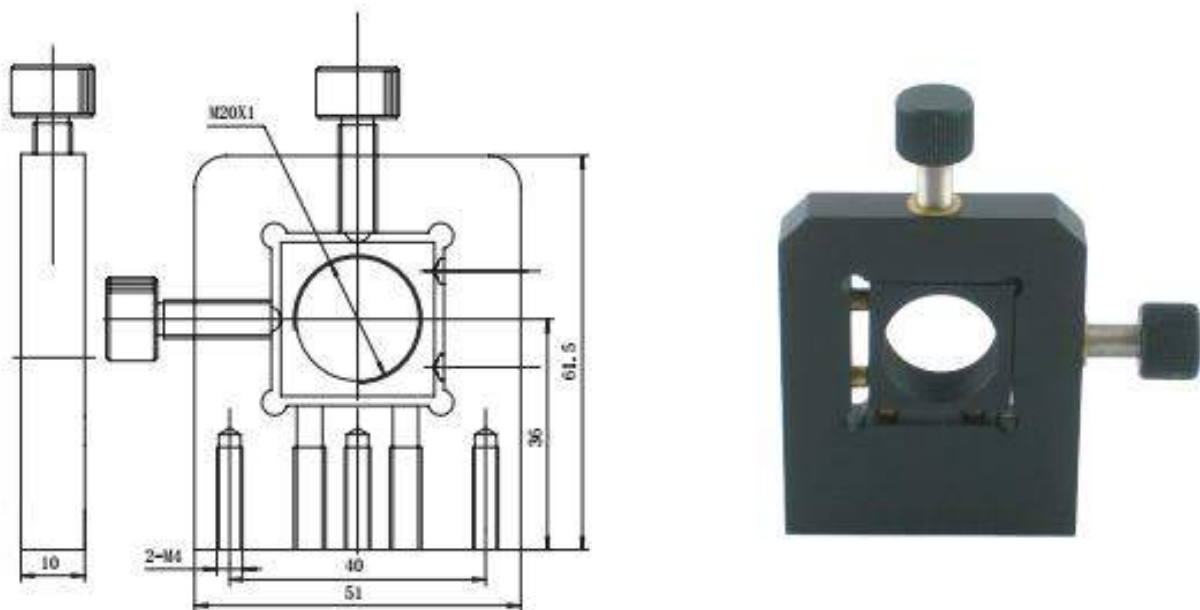
## Precision Spatial Filters LSLB2

---

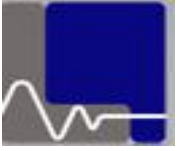
### Technical Specs:

- Standard microscope objective lens mounting base and pinhole mounting base
- Objective lens mount and pinhole positioning adjustment of  $\pm 1.5\text{mm}$

### Technical Drawings & Product Picture:







Jiangxi Liansheng Technology Co.,Ltd  
 Address: Room 402, No.1277, No. 95, Fushan Yi Lu, The Economic  
 Development Area of Xiaolan, Nanchang, Jiangxi, China  
 Tel: +8679188224426 Email: [sales2@opticaltable.cn](mailto:sales2@opticaltable.cn)  
 Web: [www.opticaltable.com](http://www.opticaltable.com) Contact: GraceDuan

#### 14. Adjustable Optical Slit LSXF Series

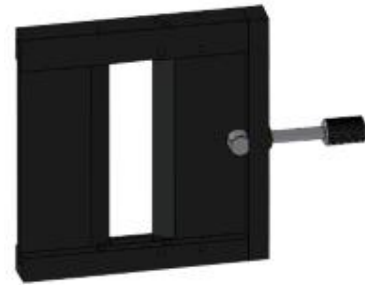
##### Adjustable Optical Slit LSXF1-14 and LSXF1-20

##### Technical Specs:

Model	LSXF1-14	LSXF1-20
Slit Width	0-14mm	0-20mm
Height of Slit	80mm	100mm
Net Weight	0.3kg	0.4kg

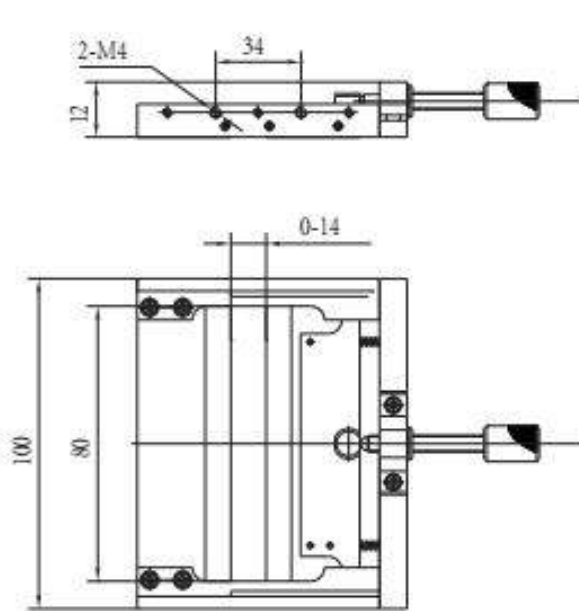


LSXF1-14

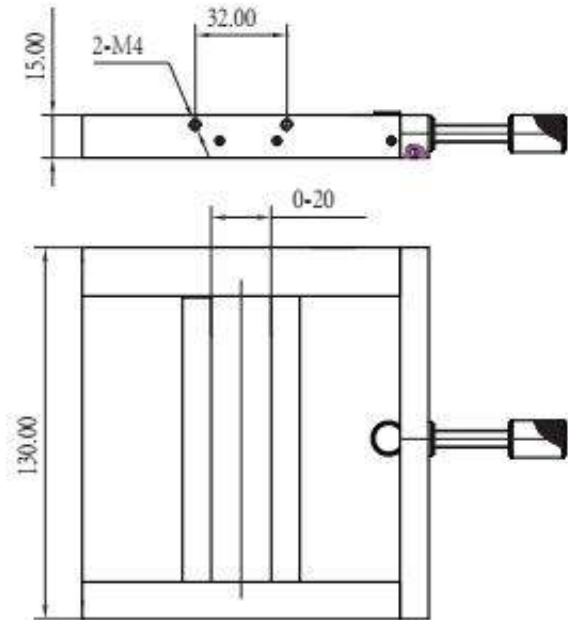


LSXF1-20

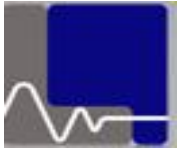
##### Technical Drawings:



LSXF1-14



LSXF1-20



Jiangxi Liansheng Technology Co.,Ltd  
 Address: Room 402, No.1277, No. 95, Fushan Yi Lu, The Economic  
 Development Area of Xiaolan, Nanchang, Jiangxi, China  
 Tel: +8679188224426 Email: [sales2@opticaltable.cn](mailto:sales2@opticaltable.cn)  
 Web:www.opticaltable.com Contact: GraceDuan

## Adjustable Optical Slit LSXF2-14 and LSXF2-20

### Technical Specs:

Model	LSXF2-14	LSXF2-20
Slit Width	0-14mm	0-20mm
Mini Scaling	0.01mm	0.01mm
Slit Height	80mm	100mm
Net Weight	0.3kg	0.4kg

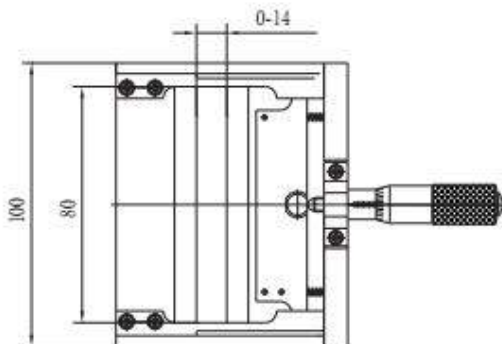
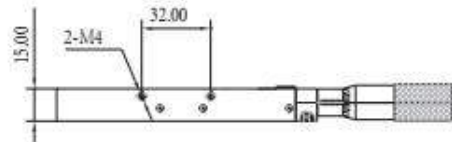
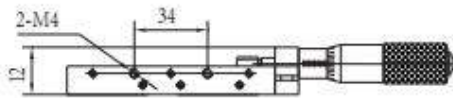


LSXF2-14

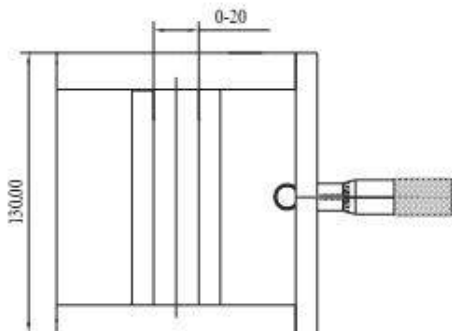


LSXF2-20

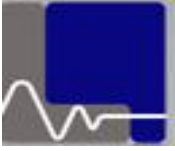
### Technical Drawings:



LSXF2-14



LSXF2-20

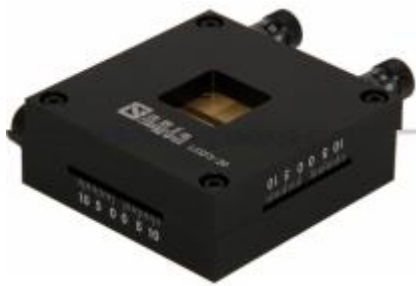


Jiangxi Liansheng Technology Co.,Ltd  
 Address: Room 402, No.1277, No. 95, Fushan Yi Lu, The Economic  
 Development Area of Xiaolan, Nanchang, Jiangxi, China  
 Tel: +8679188224426 Email: [sales2@opticaltable.cn](mailto:sales2@opticaltable.cn)  
 Web: [www.opticaltable.com](http://www.opticaltable.com) Contact: GraceDuan

## Adjustable Optical Slit LSXF3-20 and LSXF4-5

### Technical Specs:

Model	LSXF3-20	LSXF4-5
Slit Width	0-20mm	0-5mm
Mini Scaling	0.01mm	0.01mm
Slit Height	0-20mm	Rotary Range: $\pm 5^\circ$
Net Weight	0.4kg	0.4kg

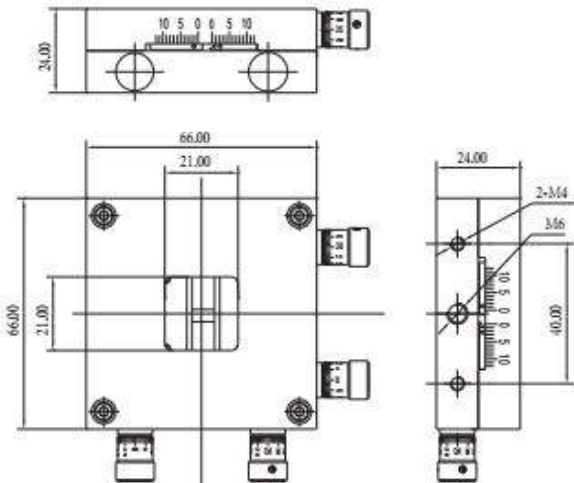


LSXF3-20

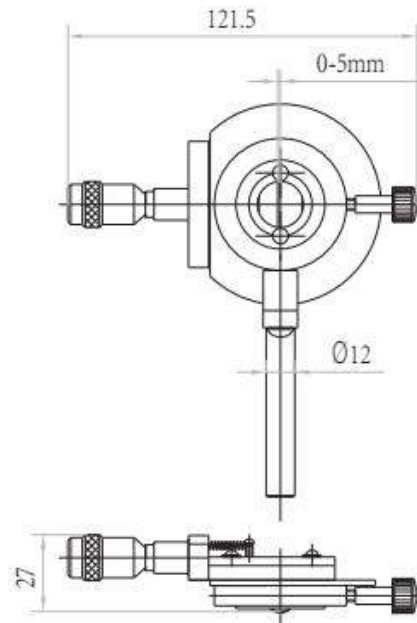


LSXF4-5

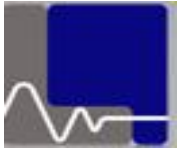
### Technical Drawings:



LSXF3-20



LSXF4-5

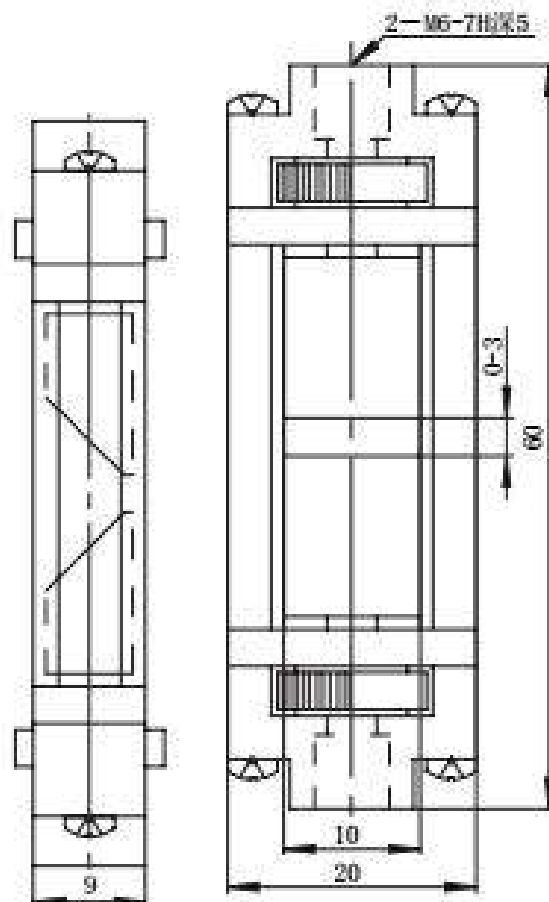


Jiangxi Liansheng Technology Co.,Ltd  
Address: Room 402, No.1277, No. 95, Fushan Yi Lu, The Economic  
Development Area of Xiaolan, Nanchang, Jiangxi, China  
Tel: +8679188224426 Email: [sales2@opticaltable.cn](mailto:sales2@opticaltable.cn)  
Web: [www.opticaltable.com](http://www.opticaltable.com) Contact: GraceDuan

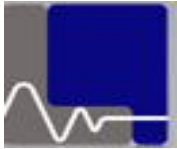
## Adjustable Optical Slit LSXF5-6

### Technical Specs:

Model	LSXF5-6
Slit Width	0-20mm
Slit Height	0-20mm
Net Weight	0.4kg







Jiangxi Liansheng Technology Co.,Ltd  
 Address: Room 402, No.1277, No. 95, Fushan Yi Lu, The Economic  
 Development Area of Xiaolan, Nanchang, Jiangxi, China  
 Tel: +8679188224426 Email: [sales2@opticaltable.cn](mailto:sales2@opticaltable.cn)  
 Web: [www.opticaltable.com](http://www.opticaltable.com) Contact: GraceDuan

#### 14. Optical slide and Slide Loading Blocks LSDG Series

##### Optical slide LSDG1

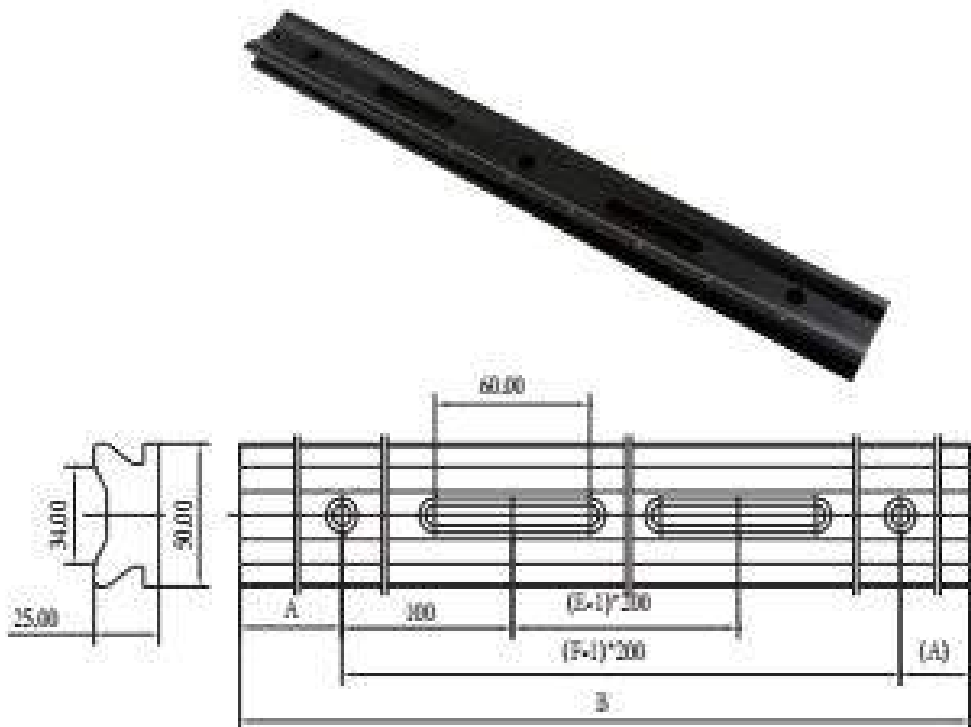
##### Product Features:

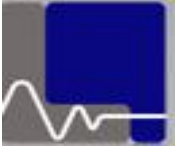
- High quality aluminum material
- Prototype dove tail for easy mounting with load sliding blocks
- With scale reading for movement positioning.

##### Technical Specs:

Model	LSDG1-5	LSDG1-10	LSDG1-15	LSDG1-20
A	50	100	50	100
B	500	1000	1500	2000
E	2	4	7	9
F	3	5	8	10
Net Weight	2.9kg	5.8kg	8.7kg	11.5kg

##### Product Picture and Drawings





Jiangxi Liansheng Technology Co.,Ltd  
 Address: Room 402, No.1277, No. 95, Fushan Yi Lu, The Economic  
 Development Area of Xiaolan, Nanchang, Jiangxi, China  
 Tel: +8679188224426 Email: [sales2@opticaltable.cn](mailto:sales2@opticaltable.cn)  
 Web: [www.opticaltable.com](http://www.opticaltable.com) Contact: GraceDuan

## Optical slide LSDG2

### Product Features:

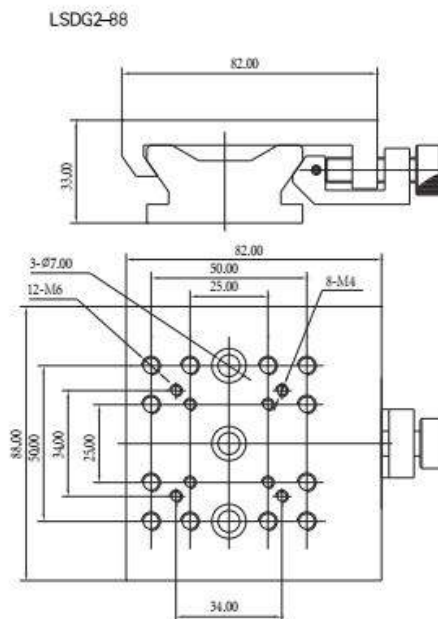
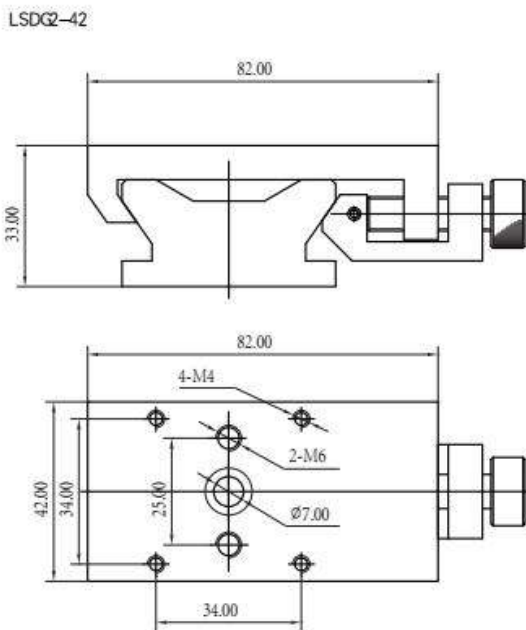
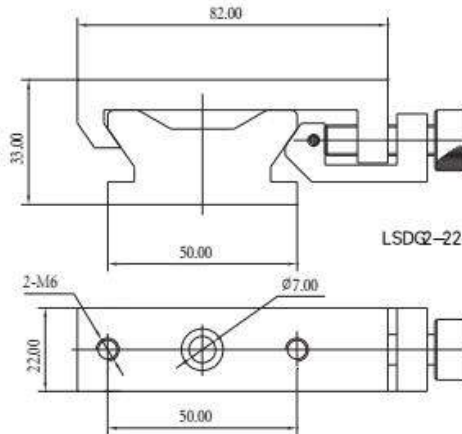
- High quality aluminum material
- Prototype application with LSDG1 series slide. M6X0.25 fine thread screw adjustment

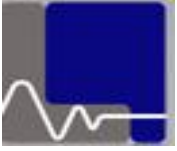
### Technical Specs:

Model	LSDG2-22	LSDG2-42	LSDG2-88
Net Weight	0.16kg	0.2kg	0.3



### Product Picture and Drawings





Jiangxi Liansheng Technology Co.,Ltd  
Address: Room 402, No.1277, No. 95, Fushan Yi Lu, The Economic  
Development Area of Xiaolan, Nanchang, Jiangxi, China  
Tel: +8679188224426 Email: [sales2@opticaltable.cn](mailto:sales2@opticaltable.cn)  
Web: [www.opticaltable.com](http://www.opticaltable.com) Contact: GraceDuan

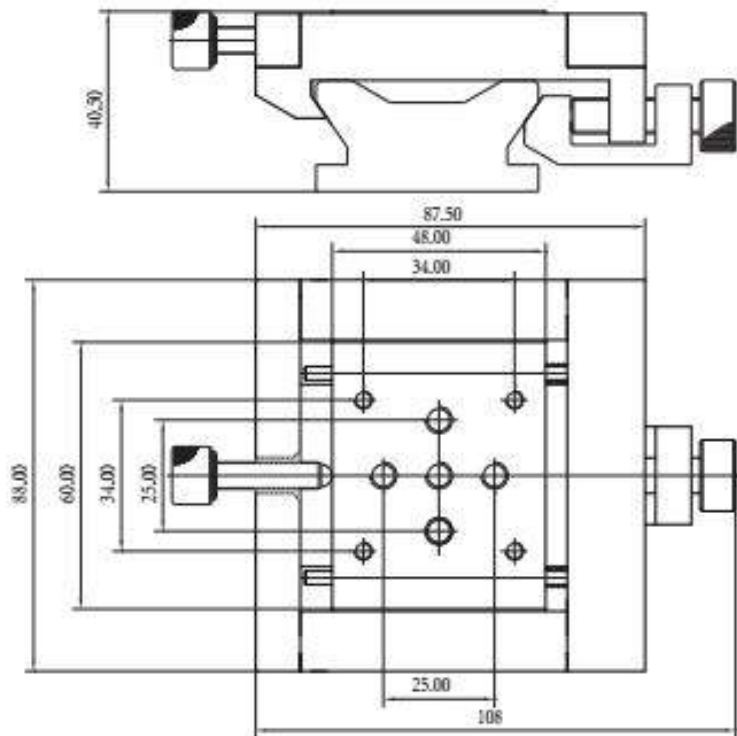
## Optical slide LSDG3-5

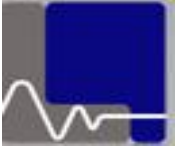
---

### Product Features:

- High quality aluminum material
- Prototype application with LSDG1 series slide. M6X0.25 fine thread screw adjustment
- Precision adjustment range of  $\pm 5\text{mm}$ .
- Net weight: 0.4kg.

### Technical Specs:





Jiangxi Liansheng Technology Co.,Ltd  
 Address: Room 402, No.1277, No. 95, Fushan Yi Lu, The Economic  
 Development Area of Xiaolan, Nanchang, Jiangxi, China  
 Tel: +8679188224426 Email: [sales2@opticaltable.cn](mailto:sales2@opticaltable.cn)  
 Web: [www.opticaltable.com](http://www.opticaltable.com) Contact: GraceDuan

## 1. Motorized Linear translation Stage LSDP-JS Series

### Motorized Linear translation Stage

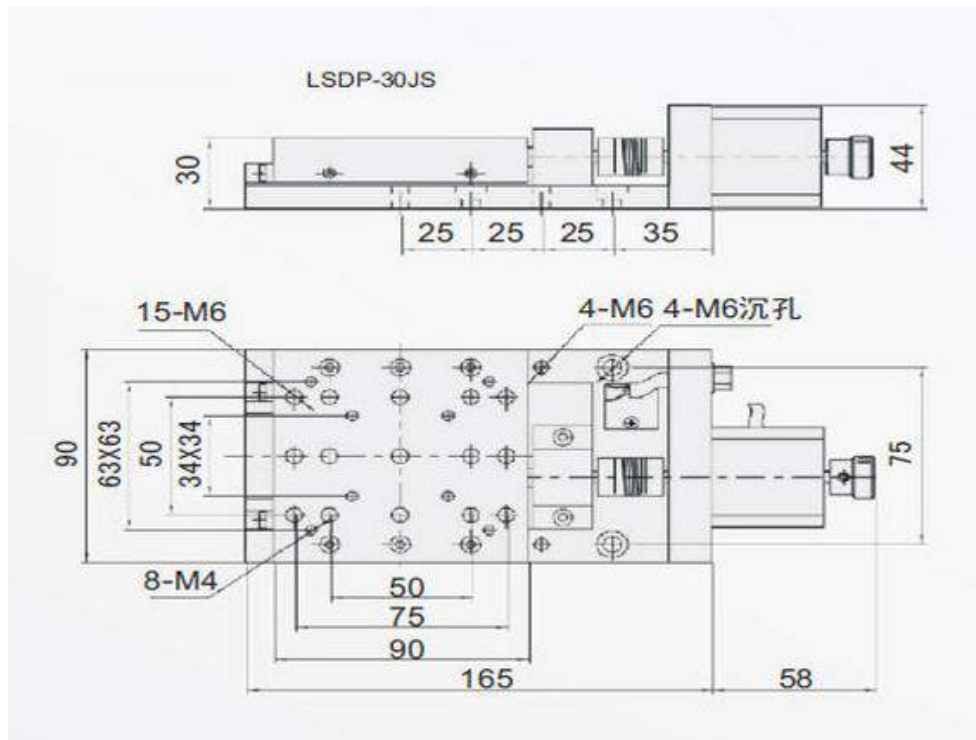
LSDP-JS Series

Model: LSDP-30JS LSDP-50JS & LSDP-100JS

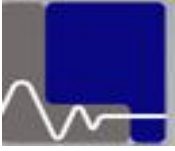
### Technical Specification:

Product Model	LSDP-30JS	LSDP-50JS	LSDP-100JS
Travel range	30mm	50mm	100mm
Platform Dimension	90X90mm	90X110mm	90X185mm
Resolution	0.000625mm		
Repeating Accuracy:	Less than 0.005mm		
Motor	42 Stepper Motor(1.8° )		
Guide Rail	Crossed Roller and V Shaped Guide rails		
Max Torque	0.4N.M		
Working Currency	1.7A		
Net Weight	1.25kg	1.4kg	1.8kg
Load Capacity	5kg	10kg	20kg

### Technical Drawings:

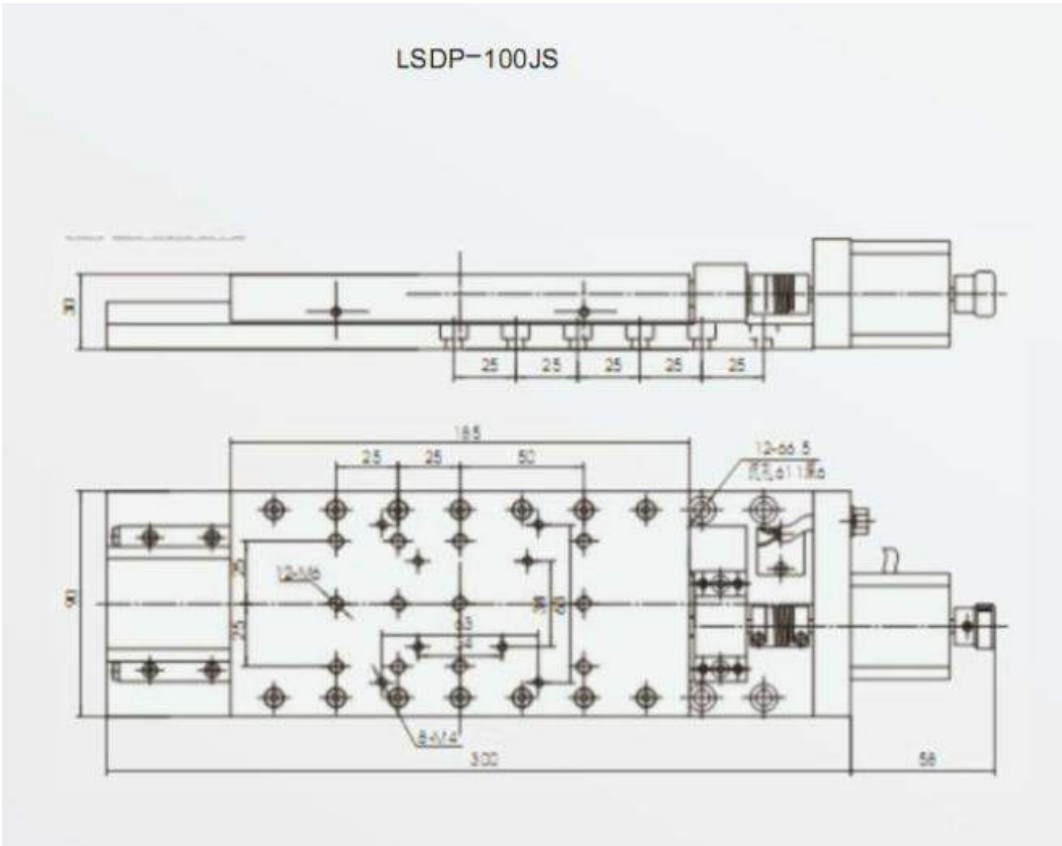
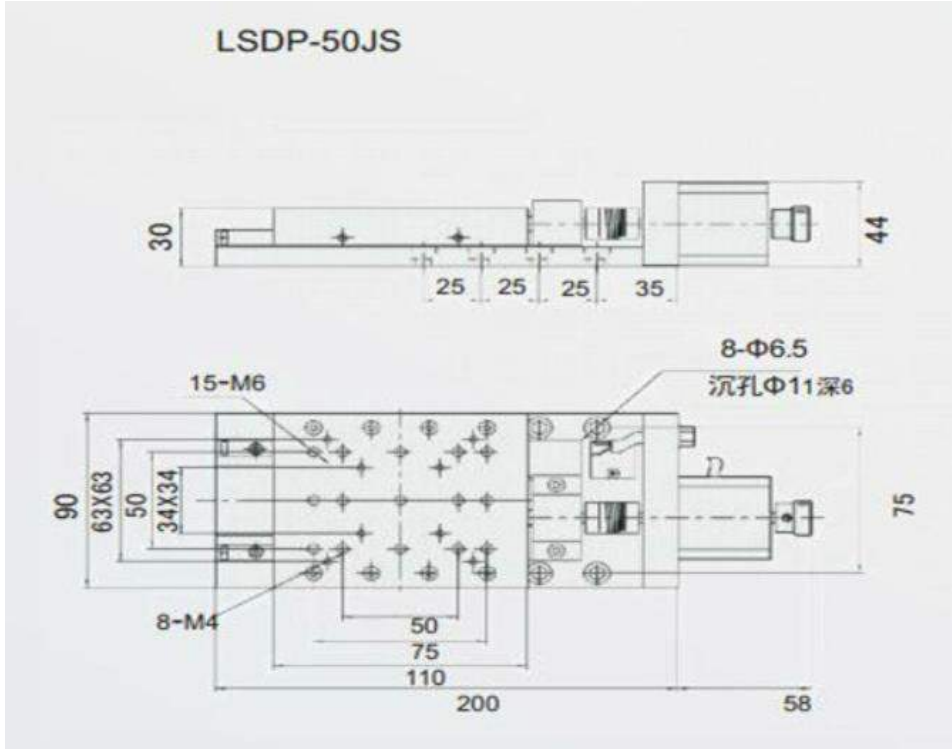


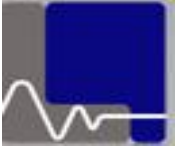




Jiangxi Liansheng Technology Co.,Ltd  
Address: Room 402, No.1277, No. 95, Fushan Yi Lu, The Economic  
Development Area of Xiaolan, Nanchang, Jiangxi, China  
Tel: +8679188224426 Email: [sales2@opticaltable.cn](mailto:sales2@opticaltable.cn)

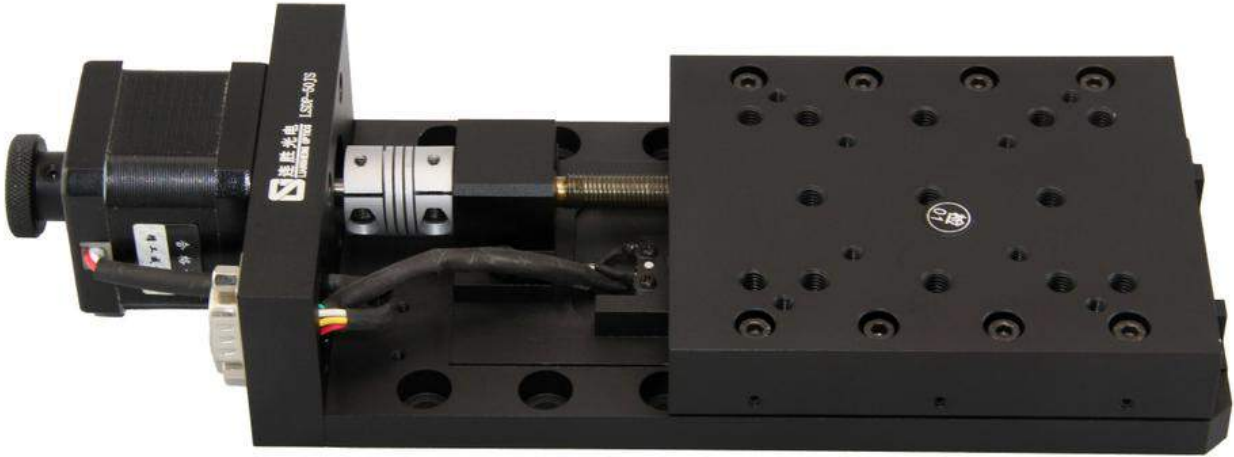
Web: [www.opticaltable.com](http://www.opticaltable.com) Contact: GraceDuan



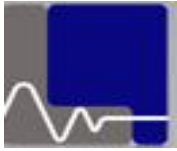


Jiangxi Liansheng Technology Co.,Ltd  
Address: Room 402, No.1277, No. 95, Fushan Yi Lu, The Economic  
Development Area of Xiaolan, Nanchang, Jiangxi, China  
Tel: +8679188224426 Email: [sales2@opticaltable.cn](mailto:sales2@opticaltable.cn)  
Web: [www.opticaltable.com](http://www.opticaltable.com) Contact: GraceDuan

### Product Picture:



LSDP-JS Series



Jiangxi Liansheng Technology Co.,Ltd  
Address: Room 402, No.1277, No. 95, Fushan Yi Lu, The Economic  
Development Area of Xiaolan, Nanchang, Jiangxi, China

Tel: +8679188224426      Email: [sales2@opticaltable.cn](mailto:sales2@opticaltable.cn)  
Web:www.opticaltable.com      Contact: GraceDuan

## 2 . Motorized Linear translation Stage LSDP-FG Series

### Motorized Linear Translation Stage LSDP-FG Series

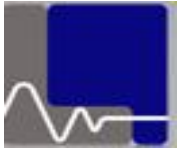
#### Product Features:

- 47 and 57 prototype stepper motor with standard S232 connection.
- Ball screw adopts the latest bearing structure with locking mechanism, high resetting accuracy and precision performance with long using life.
- Fine linear sliding block guiding rails integrated with the bottom plate, with comfortable translation movement.
- The stepper motor is connected with the ball screw via top quality and high elastic coupling to realize synchronize without noise.
- Position limiting switches installed in both ends of the screw for better positioning and equipment protection.
- The stepper motor can be replaced by servo motor as an option to gain higher speed.
- Standard thread holes and through-holes for easy mounting.

#### Technical Specification ( As per specific models)

#### LSDP-FG Short Travel Range:

Model	LSDP-50FG	LSDP-100FG	LSDP-150FG	LSDP-200FG	LSDP-250FG
Travel Range	50mm	100mm	150mm	200mm	250mm
Net Weight	3kg	3.5kg	4kg	4.8kg	5.3kg
Resolution	0.0025mm				
Max Speed	40mm Sec				
Resetting Accuracy	< 0.005mm				
Axial Spacing	< 0.03mm				
Standard Motor	42 Stepper Motor(1.8° )				
Max Torque	0.4N.M				
Operating Current	1.7A				
Loading Capacity	30kg				
Platform Size	160X160mm				



Jiangxi Liansheng Technology Co.,Ltd  
 Address: Room 402, No.1277, No. 95, Fushan Yi Lu, The Economic  
 Development Area of Xiaolan, Nanchang, Jiangxi, China

Tel: +8679188224426  
 Web:www.opticaltable.cn

Email: [sales2@opticaltable.cn](mailto:sales2@opticaltable.cn)  
 Contact: GraceDuan

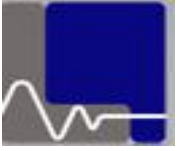
com\_LSDP-

<b>FG Medium Travel Range:</b>				
Model	LSDP-300FG	LSDP-350FG	LSDP-400FG	LSDP-450FG
Travel Range	300mm	350mm	400mm	450mm
Net Weight	5.75kg	7kg	8kg	8.5kg
Resolution	0.0025mm			
Max Speed	40mm/Sec			
Resetting Accuracy	< 0.005mm			
Axial Spacing	< 0.03mm			
Standard Motor	42 Stepper Motor(1.8° )			
Max Torque	0.4N.M			
Operating Current	1.7A			
Loading Capacity	30kg			
Platform Size	160X160mm			

**LSDP-FG Long Travel Range:**

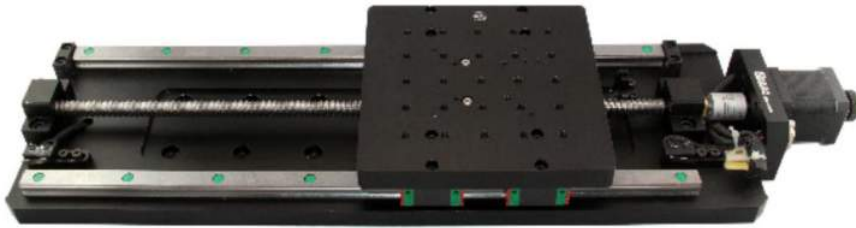
Model	LSDP-500FG	LSDP-600FG	LSDP-700FG	LSDP-800FG	LSDP-900FG	LSDP-1000FG	LSDP-1200FG
Travel Range	500mm	600mm	700mm	800mm	900mm	1000mm	1200mm
Net Weight	9kg	10kg	11kg	12kg	13kg	15kg	17kg
Resolution	0.003125mm						
Max Speed	40mm/Sec						
Resetting Accuracy	< 0.005mm						
Axial Spacing	< 0.03mm						
Standard Motor	57 Stepper Motor(1.8° )						
Max Torque	1.2N.M						
Operating Current	2.8A						
Loading Capacity	50kg						
Platform Size	160X160mm						



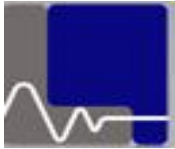


Jiangxi Liansheng Technology Co.,Ltd  
Address: Room 402, No.1277, No. 95, Fushan Yi Lu, The Economic  
Development Area of Xiaolan, Nanchang, Jiangxi, China  
Tel: +8679188224426 Email: [sales2@opticaltable.cn](mailto:sales2@opticaltable.cn)  
Web: [www.opticaltable.com](http://www.opticaltable.com) / Contact: GraceDuan

## Product Picture:



LSDP-FG Series



Jiangxi Liansheng Technology Co.,Ltd  
Address: Room 402, No.1277, No. 95, Fushan Yi Lu, The Economic  
Development Area of Xiaolan, Nanchang, Jiangxi, China  
Tel: +8679188224426 Email: [sales2@opticaltable.cn](mailto:sales2@opticaltable.cn)  
Web:www.opticaltable.com Contact: GraceDuan

### 3. Motorized XY Positioning Stage LSDP- JG Series

#### Motorized XY Positioning Stage LSDP- JG Series

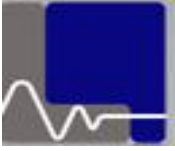
##### Technical Specification:

Product Model	LSDP-50-JG-2	LSDP-100-JG-2	LSDP-170-JG-2
Travel range	50mm in X & Y Axis	100mm in X&Y Axis	170mm in X&Y Axis
Platform Dimension	150X150mm	300X300mm	300X300mm
Resolution	0.625 $\mu$ m	2.5 $\mu$ m	2.5 $\mu$ m
Repeating Accuracy:	Less than 10 $\mu$ m	Less than 10 $\mu$ m	Less than 10 $\mu$ m
Motor	28BYGH(1.8 $^{\circ}$ )	42BYGH(1.8 $^{\circ}$ )	42BYGH(1.8 $^{\circ}$ )
Guide Rail	Crossed Roller and V Shaped Guide rails		
Max Torque	0.1N.M	0.4N.M	
Working Currency	0.35A	1.7A	
Net Weight	3.2kg	8.3kg	10.03kg
Load Capacity	10kg	50kg	60kg

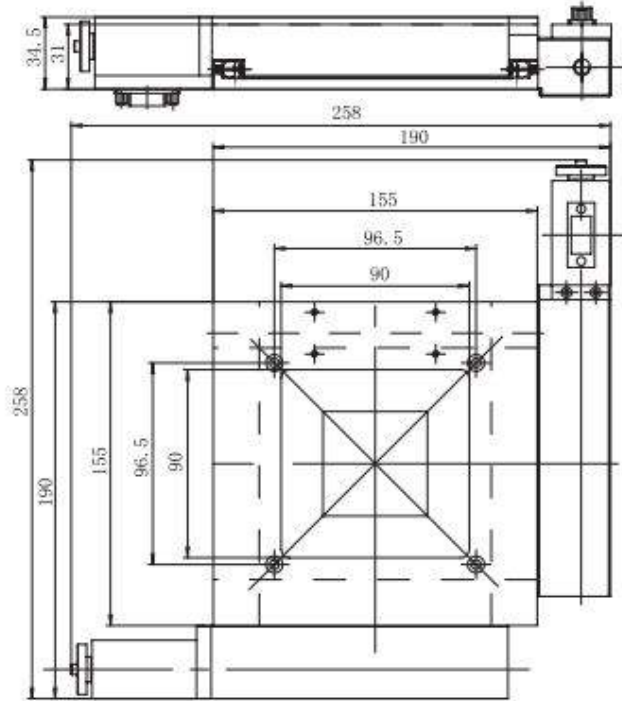
##### Technical Drawings & Product Picture as per model:

###### LSDP-50-JG-2



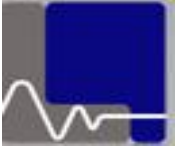


Jiangxi Liansheng Technology Co.,Ltd  
Address: Room 402, No.1277, No. 95, Fushan Yi Lu, The Economic  
Development Area of Xiaolan, Nanchang, Jiangxi, China  
Tel: +8679188224426 Email: [sales2@opticaltable.cn](mailto:sales2@opticaltable.cn)  
Website: [opticaltable.com](http://opticaltable.com) Contact: GraceDuan

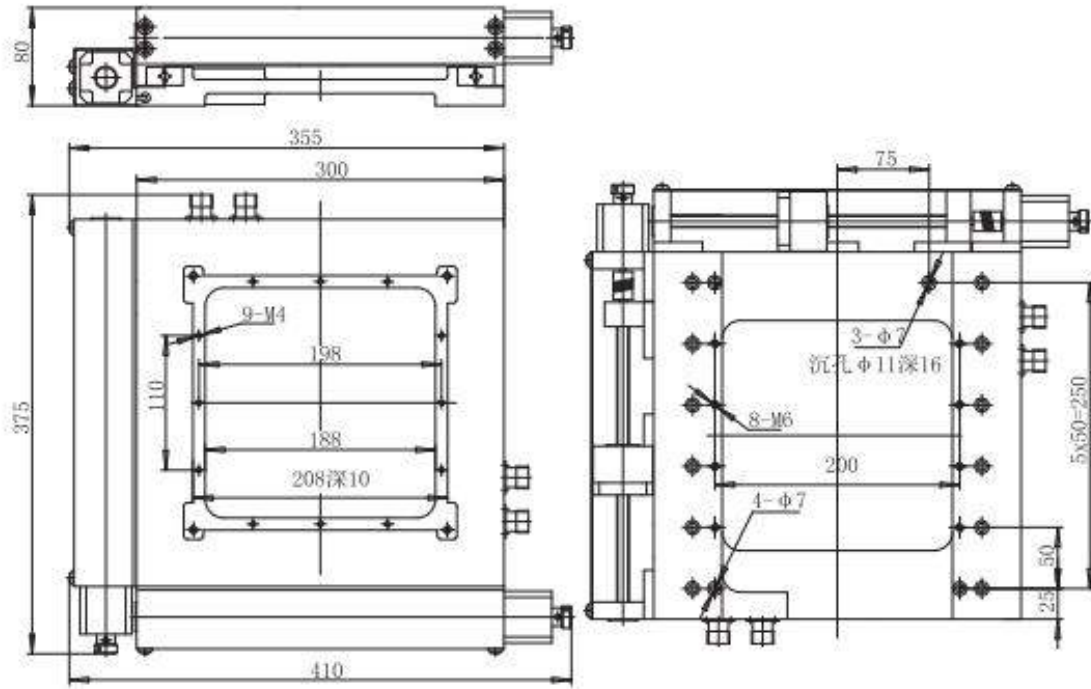


**LSDP-100-JG-2:**





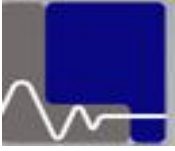
Jiangxi Liansheng Technology Co.,Ltd  
Address: Room 402, No.1277, No. 95, Fushan Yi Lu, The Economic  
Development Area of Xiaolan, Nanchang, Jiangxi, China  
Tel: +8679188224426 Email: [sales2@opticaltable.cn](mailto:sales2@opticaltable.cn)  
Web: [www.opticaltable.com](http://www.opticaltable.com) Contact: GraceDuan



LSDP-170-JG-2



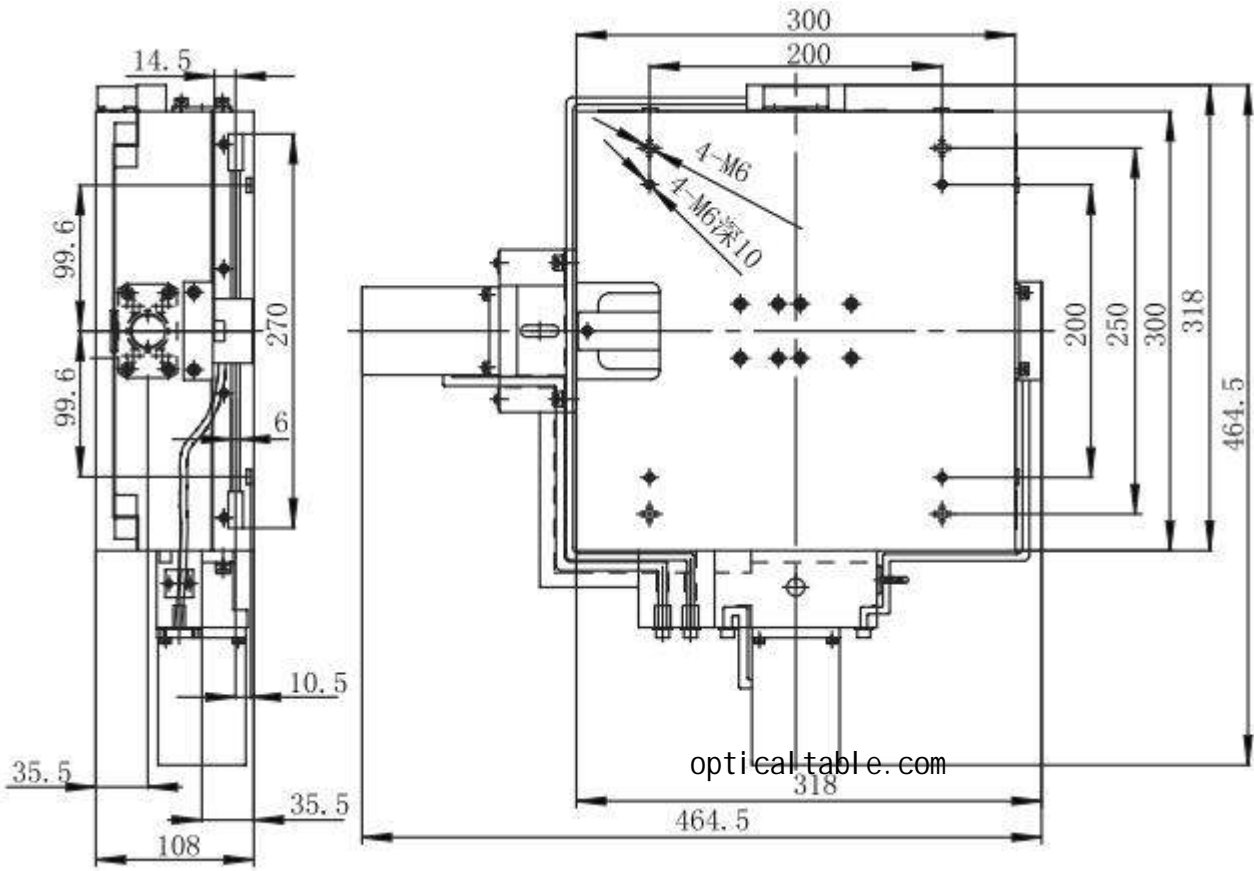


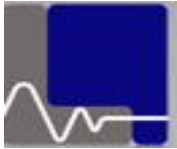


Jiangxi Liansheng Technology Co.,Ltd

Address: Room 402, No.1277, No. 95, Fushan Yi Lu, The Economic  
Development Area of Xiaolan, Nanchang, Jiangxi, China  
Tel: +8679188224426 Email: [sales2@opticaltable.cn](mailto:sales2@opticaltable.cn)

Web:[www.opticaltable.com](http://www.opticaltable.com) Contact: GraceDuan





Jiangxi Liansheng Technology Co.,Ltd  
Address: Room 402, No.1277, No. 95, Fushan Yi Lu, The Economic  
Development Area of Xiaolan, Nanchang, Jiangxi, China  
Tel: +8679188224426 Email: [sales2@opticaltable.cn](mailto:sales2@opticaltable.cn)  
Web: [www.opticaltable.com](http://www.opticaltable.com) Contact: GraceDuan

#### 4. Motorized Vertical Stage (Lab Jack)

##### Motorized Vertical Stage (Lab Jack) LSDS- JS Series

Models: LSDS-50JS & LSDS-90JS

##### Technical Specs:

Product Model	LSDS-50JS	LSDS-90JS
Travel range	50mm in Z Axis	90mm in Z Axis
Platform Dimension	80X120mm	220X140mm
Repeating Accuracy:	0.02mm	0.02mm
Motor	42BYGH(1.8°)	42BYGH(1.8°)
Max Speed	5mm Sec	5mm Sec
Net Weight	1.3kg	4.7kg
Load Capacity	5kg	5kg

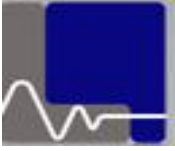
##### Product Pictures:



LSDS-50JS

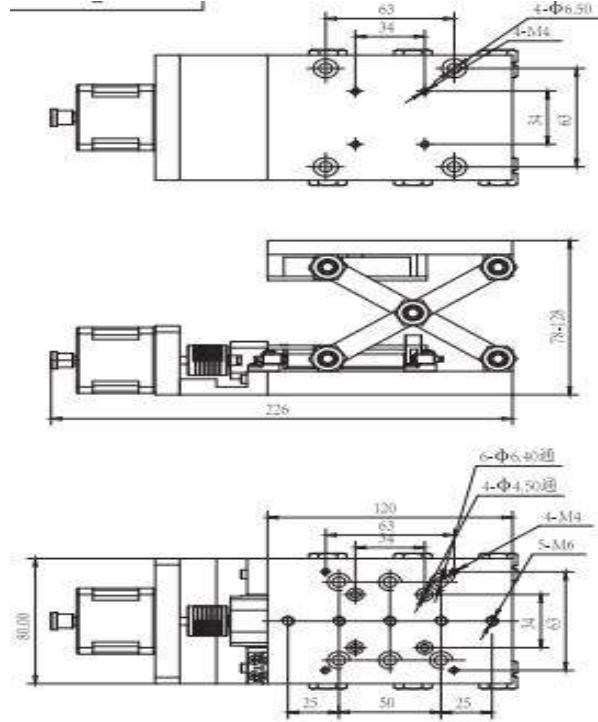


LSDS-90JS

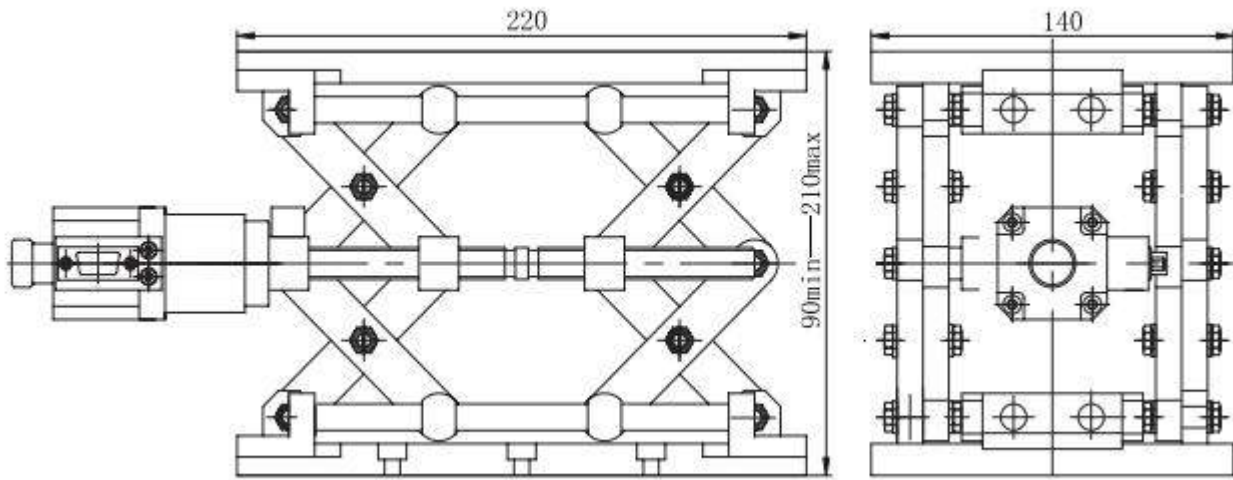


Jiangxi Liansheng Technology Co.,Ltd  
Address: Room 402, No.1277, No. 95, Fushan Yi Lu, The Economic  
Development Area of Xiaolan, Nanchang, Jiangxi, China  
Tel: +8679188224426 Email: [sales2@opticaltable.cn](mailto:sales2@opticaltable.cn)  
Web: [www.opticaltable.com](http://www.opticaltable.com) Contact: GraceDuan

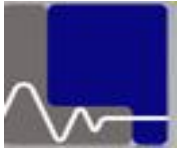
**Technical Drawings:**



**LSDS-50JS**



**LSDS-90JS**



Jiangxi Liansheng Technology Co.,Ltd  
 Address: Room 402, No.1277, No. 95, Fushan Yi Lu, The Economic  
 Development Area of Xiaolan, Nanchang, Jiangxi, China  
 Tel: +8679188224426 Email: [sales2@opticaltable.cn](mailto:sales2@opticaltable.cn)  
 Web: [www.opticaltable.com](http://www.opticaltable.com) Contact: GraceDuan

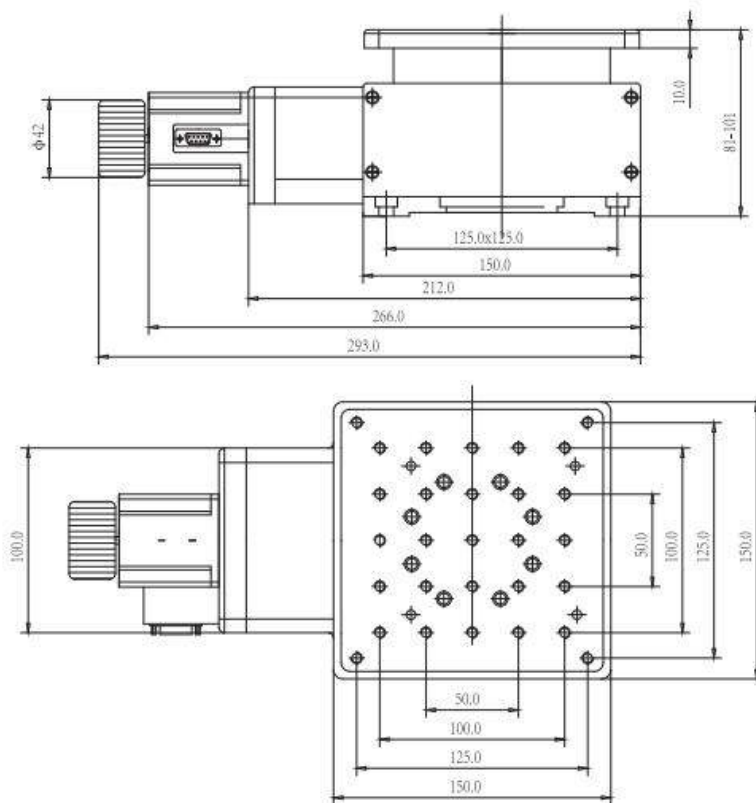
## Motorized Vertical Stage (Lab Jack) LSDS- 20QV

### Technical Specs:

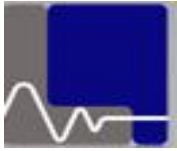


Product Model	<b>LSDS-20QV</b>
Travel range	20mm in Z Axis
Platform Dimension	150X150mm
Repeating Accuracy:	5 μ m
Motor	57BYGH(1.8°)
Max Speed	3mm Sec
Net Weight	40kg
Load Capacity	4.7kg

### Technical Drawing:







Jiangxi Liansheng Technology Co.,Ltd  
Address: Room 402, No.1277, No. 95, Fushan Yi Lu, The Economic  
Development Area of Xiaolan, Nanchang, Jiangxi, China

Tel: +8679188224426  
Web:www.opticaltable.

Email: [sales2@opticaltable.cn](mailto:sales2@opticaltable.cn)  
Contact: GraceDuan

## com\_5. Motorized Rotary Stages

---

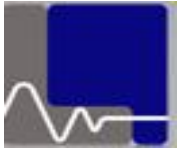
### Motorized Rotary Stages LSDH - WS Series

#### Product Features:

- Prototype stepper motors and DB interface
- High precision worm gear bearings
- Clock wise and anti-clock rotations with tiny backlash
- High precision scaling for rotating degree reading
- The stepper motor is jointed with the worm gear by high quality coupling with synchronized transmission.

#### Technical Specs:

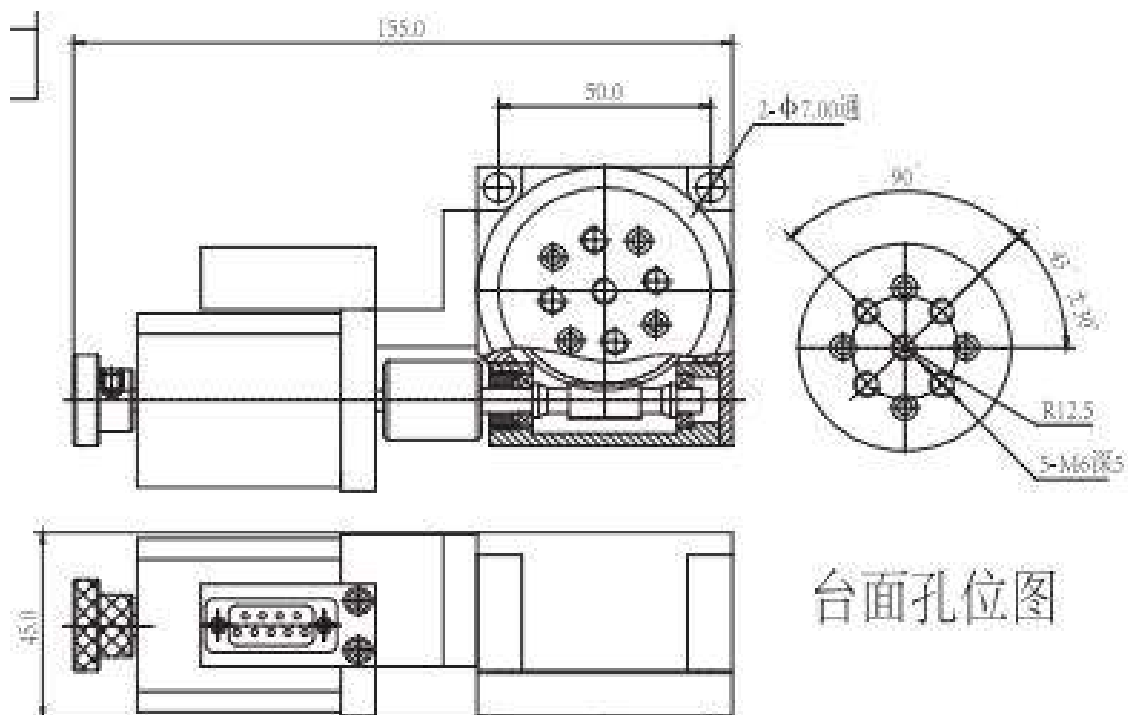
Product Model	LSDH-60WS	LSDH-100WS	LSDH-200WS	LSDH-300WS
Transmission Ratio	90:1	180:1	180:1	288:1
Platform Diameters	60mm	100mm	200mm	300mm
Resolution	9"	4.5"	4.5"	2.8125"
Repeating Accuracy:	<36"	<18"	<18"	7.2"
Motor	42BYGH(1.8°)	42BYGH(1.8°)	57BYGH(1.8°)	57BYGH(1.8°)
Backlash	18"	18"	18"	7.2"
Max Speed	50° Sec	25° Sec	25° Sec	15° Sec
Eccentric	5 μ m	5 μ m	5 μ m	20 μ m
Net Weight	1.2kg	1.8kg	7.7kg	8kg
Load Capacity	30kg	50kg	60kg	50kg

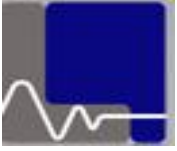


Jiangxi Liansheng Technology Co.,Ltd  
Address: Room 402, No.1277, No. 95, Fushan Yi Lu, The Economic  
Development Area of Xiaolan, Nanchang, Jiangxi, China  
Tel: +8679188224426 Email: [sales2@opticaltable.cn](mailto:sales2@opticaltable.cn)  
Web: [www.opticaltable.com](http://www.opticaltable.com) Contact: GraceDuan

**Product Pictures and Technical Drawings per model:**

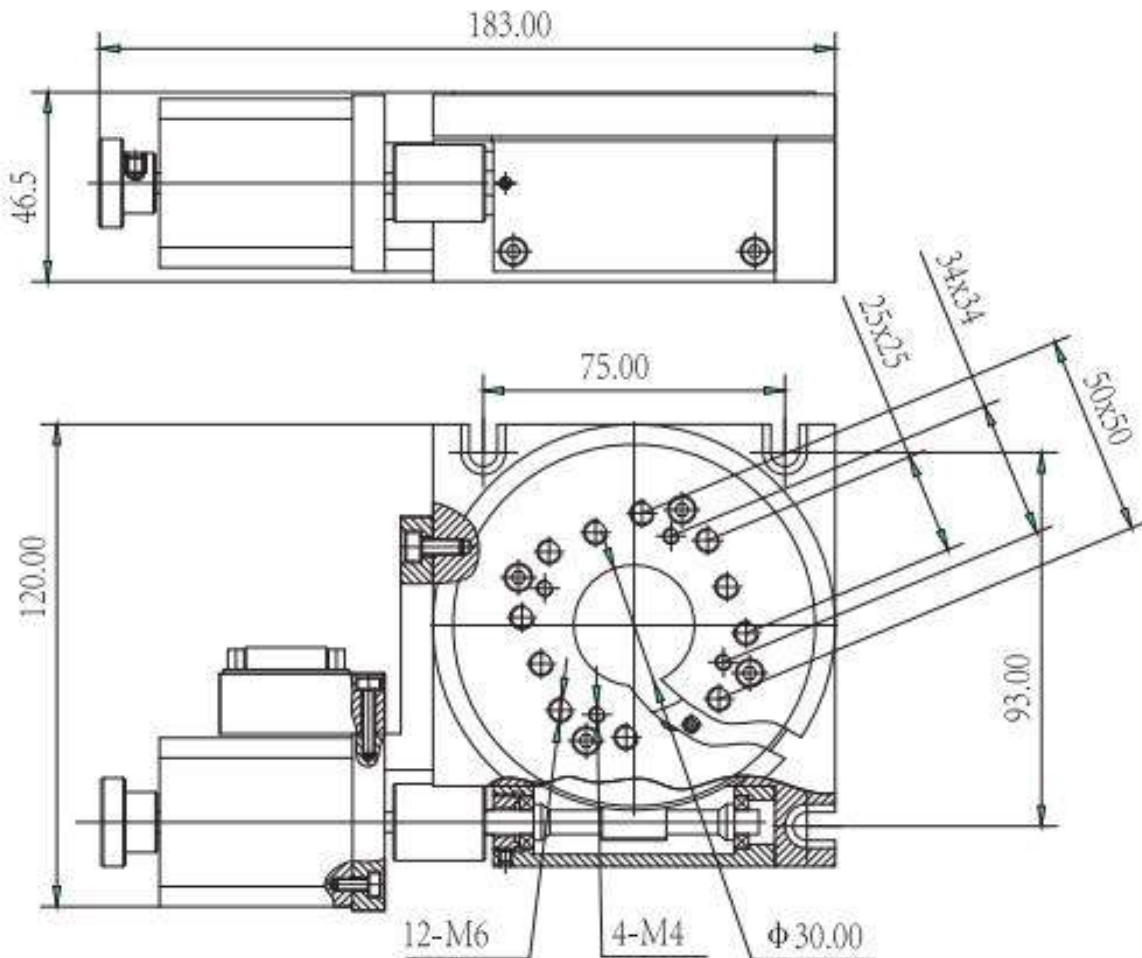
**LSDH-60WS:**

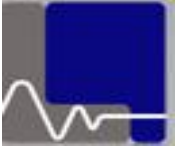




Jiangxi Liansheng Technology Co.,Ltd  
Address: Room 402, No.1277, No. 95, Fushan Yi Lu, The Economic  
Development Area of Xiaolan, Nanchang, Jiangxi, China  
Tel: +8679188224426 Email: [sales2@opticaltable.cn](mailto:sales2@opticaltable.cn)  
Web: [www.opticaltable.com](http://www.opticaltable.com) Contact: GraceDuan

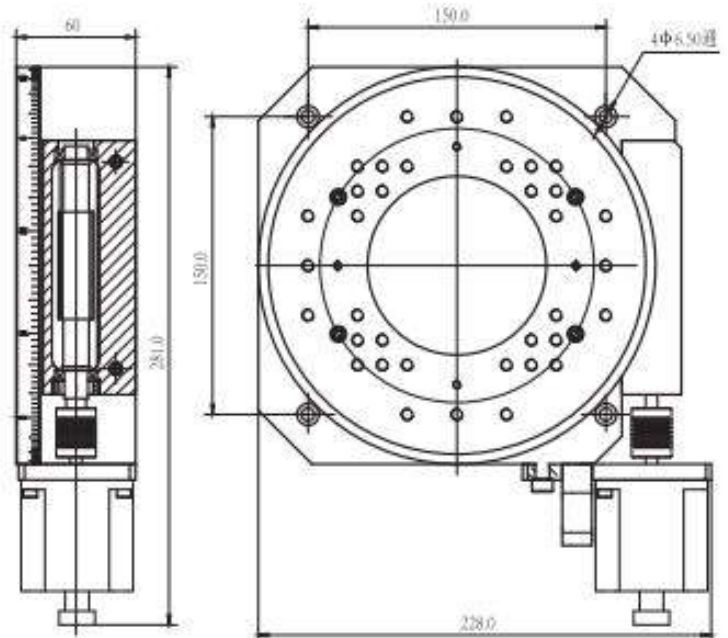
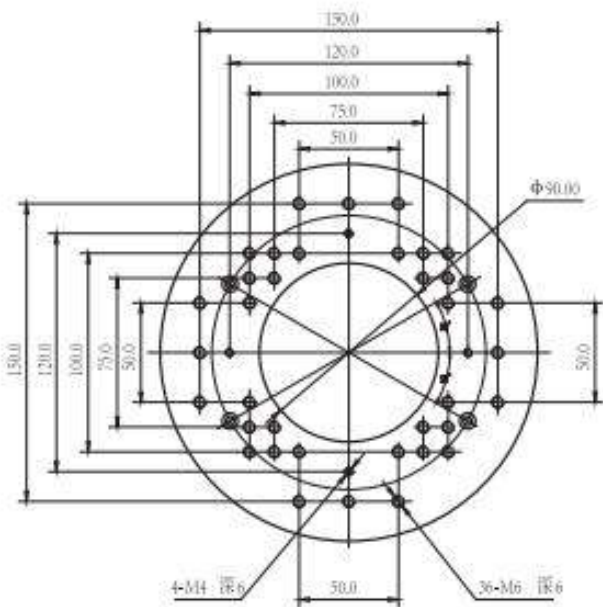
**LSDH-100WS:**



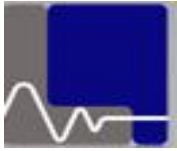


Jiangxi Liansheng Technology Co.,Ltd  
Address: Room 402, No.1277, No. 95, Fushan Yi Lu, The Economic  
Development Area of Xiaolan, Nanchang, Jiangxi, China  
Tel: +8679188224426 Email: [sales2@opticaltable.cn](mailto:sales2@opticaltable.cn)  
Web: [www.opticaltable.com](http://www.opticaltable.com) Contact: GraceDuan

### LSDH-200WS:

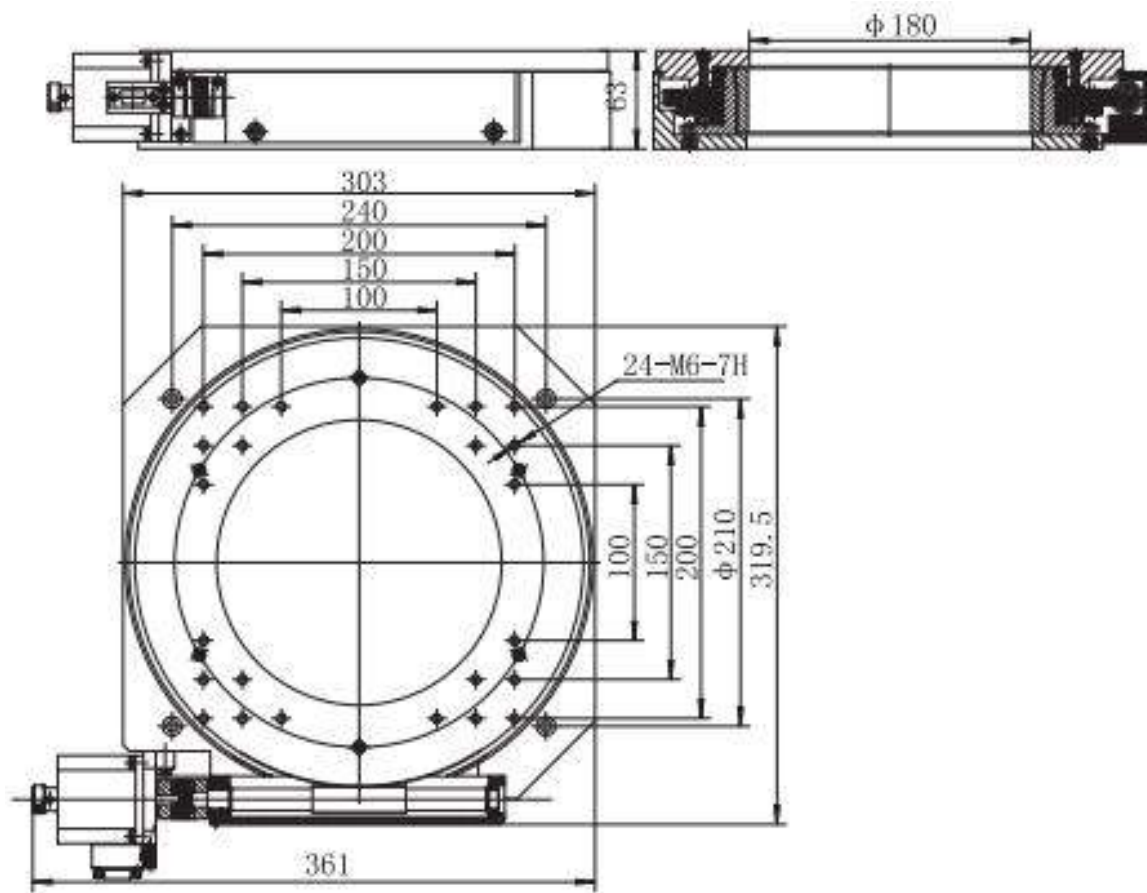
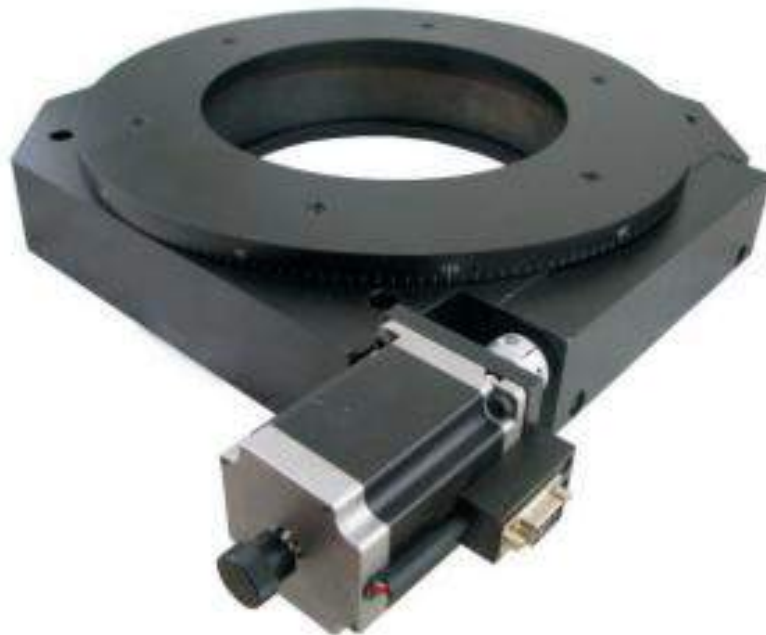


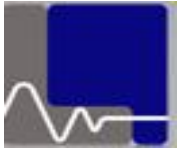




Jiangxi Liansheng Technology Co.,Ltd  
Address: Room 402, No.1277, No. 95, Fushan Yi Lu, The Economic  
Development Area of Xiaolan, Nanchang, Jiangxi, China  
Tel: +8679188224426 Email: [sales2@opticaltable.cn](mailto:sales2@opticaltable.cn)  
Web: [www.opticaltable.com](http://www.opticaltable.com) Contact: GraceDuan

**LSDH-300WS:**





Jiangxi Liansheng Technology Co.,Ltd  
 Address: Room 402, No.1277, No. 95, Fushan Yi Lu, The Economic  
 Development Area of Xiaolan, Nanchang, Jiangxi, China  
 Tel: +8679188224426 Email: [sales2@opticaltable.cn](mailto:sales2@opticaltable.cn)  
 Web: [www.opticaltable.com](http://www.opticaltable.com) Contact: GraceDuan

## Motorized Rotary Stages with Customized High Quality Worm Gear

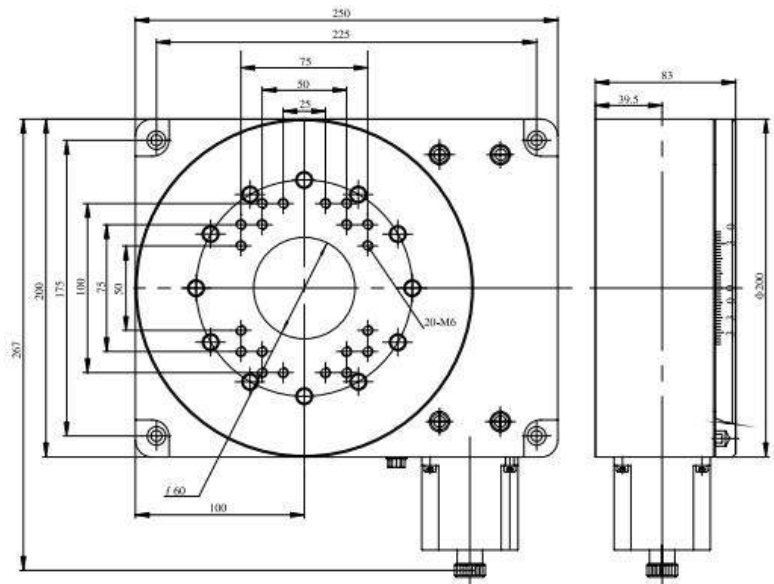
### Motorized Rotary Stages LSDH-200WS-H & LSDH-400WS-H

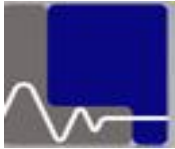
#### Technical Specs:

Product Model	LSDH-200WS-H	LSDH-400WS-H
Transmission Ratio	180:1	720:1
Platform Diameters	200mm	400mm
Resolution	4.5"	1.125"
Repeating Accuracy:	<7.2"	7.2"
Motor	57BYGH(1.8°)	57BYGH(1.8°)
Backlash	7.2"	7.2"
Max Speed	25° Sec	5° Sec
Eccentric	20 μ m	30 μ m
Net Weight	12kg	28kg
Load Capacity	80kg	100kg

#### Product Pictures and Technical Drawing per Model:

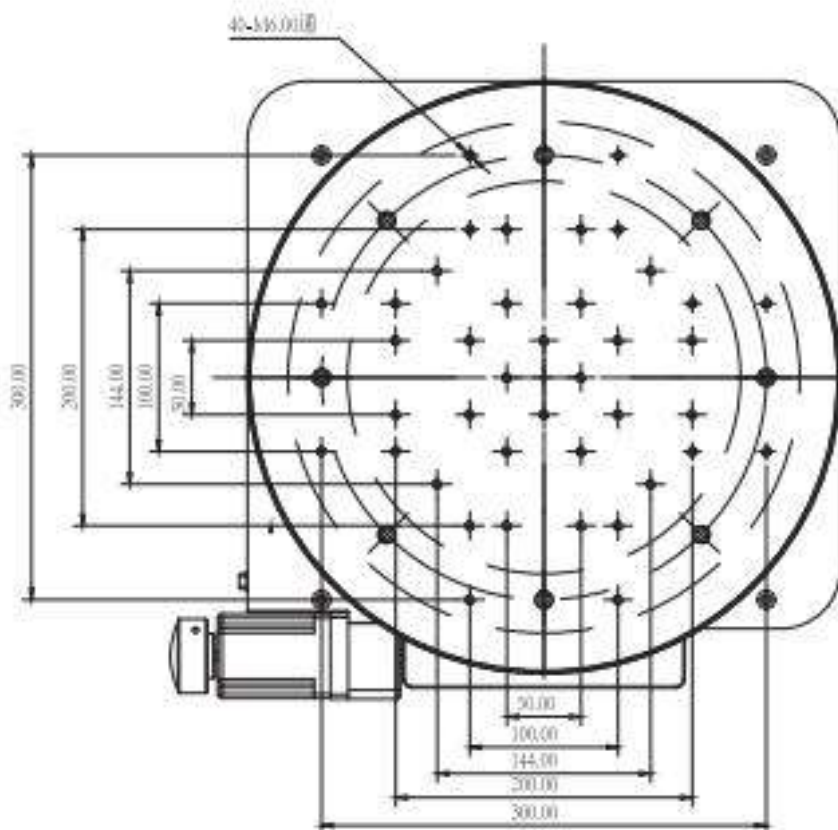
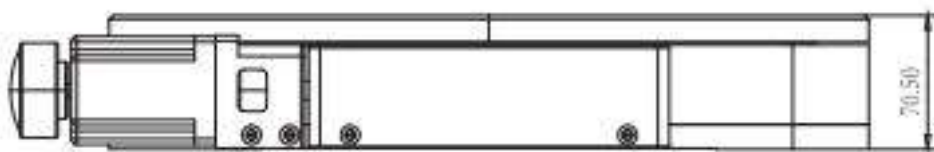
##### LSDH-200WS-H

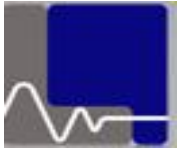




Jiangxi Liansheng Technology Co.,Ltd  
Address: Room 402, No.1277, No. 95, Fushan Yi Lu, The Economic  
Development Area of Xiaolan, Nanchang, Jiangxi, China  
Tel: +8679188224426 Email: [sales2@opticaltable.cn](mailto:sales2@opticaltable.cn)  
Web: [www.opticaltable.com](http://www.opticaltable.com) Contact: GraceDuan

## LSDH-400WS-H





Jiangxi Liansheng Technology Co.,Ltd  
Address: Room 402, No.1277, No. 95, Fushan Yi Lu, The Economic  
Development Area of Xiaolan, Nanchang, Jiangxi, China

Tel: +8679188224426

Email: [sales2@opticaltable.cn](mailto:sales2@opticaltable.cn)

Web:www.

Contact: GraceDuan

[opticaltable.com](http://opticaltable.com)

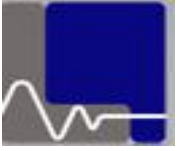
## 6. Motorized Goniometer and Tilting Stages

### Motorized Goniometer and Tilting Stages LSDJ - HW - 01 Series

#### Technical Specs:

Product Model	LSDJ - 10HW - 01	LSDJ - 15HW - 01
Platform Dimension	65X65mm	65X65mm
Adjusting Angle Range	$\pm 10^\circ$	$\pm 15^\circ$
Transmission Ratio	352:1	252:1
Center Height	75mm	50mm
Guide Rail	Arc-shaped Crossed Roller	Arc-shaped Crossed Roller
Prototype Motor	42BYGH(1.8°)	42BYGH(1.8°)
Resolution	2.3"	3.2"
Repeating Accuracy	<10"	<10"
Max Speed	12° Sec	17.8° Sec
Load Capacity	5kg	5kg
Net Weight	1.25kg	1.25kg



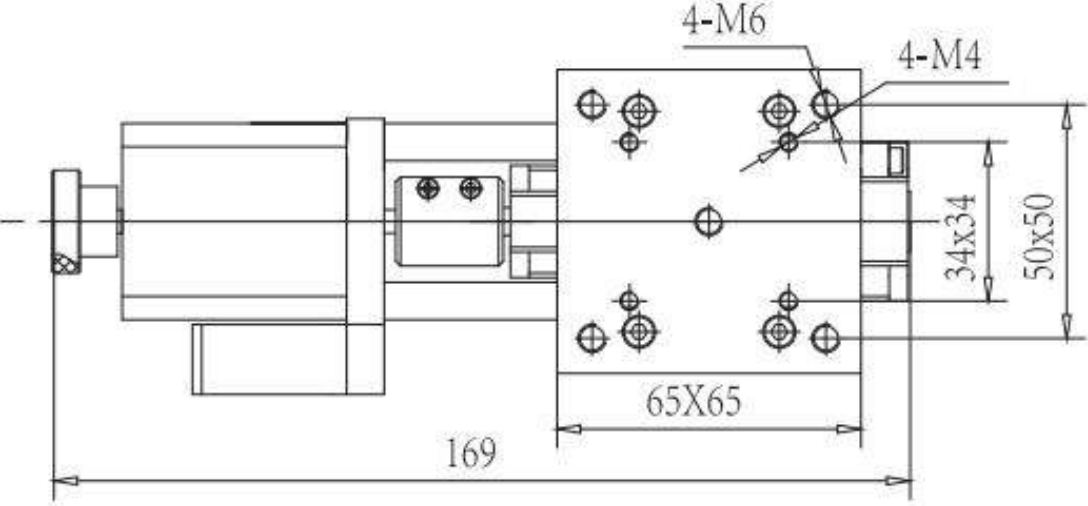
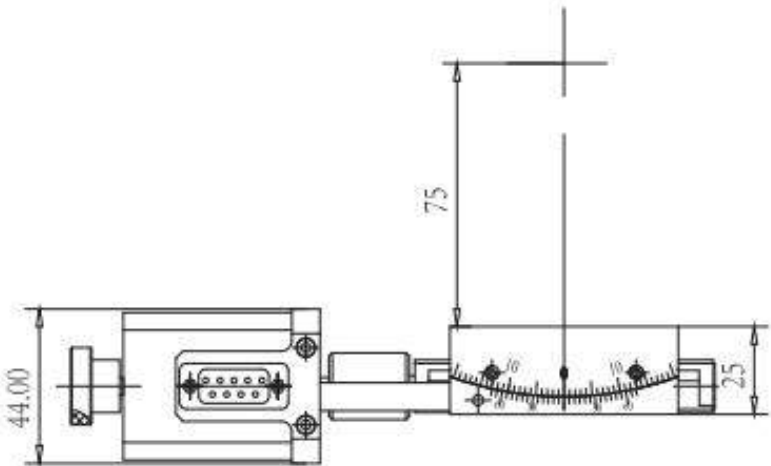


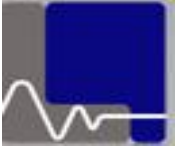
Jiangxi Liansheng Technology Co.,Ltd  
Address: Room 402, No.1277, No. 95, Fushan Yi Lu, The Economic  
Development Area of Xiaolan, Nanchang, Jiangxi, China  
Tel: +8679188224426 Email: [sales2@opticaltable.cn](mailto:sales2@opticaltable.cn)

Web:[www.opticaltable.com](http://www.opticaltable.com) Contact: GraceDuan

**Product Picture and Technical Drawings:**

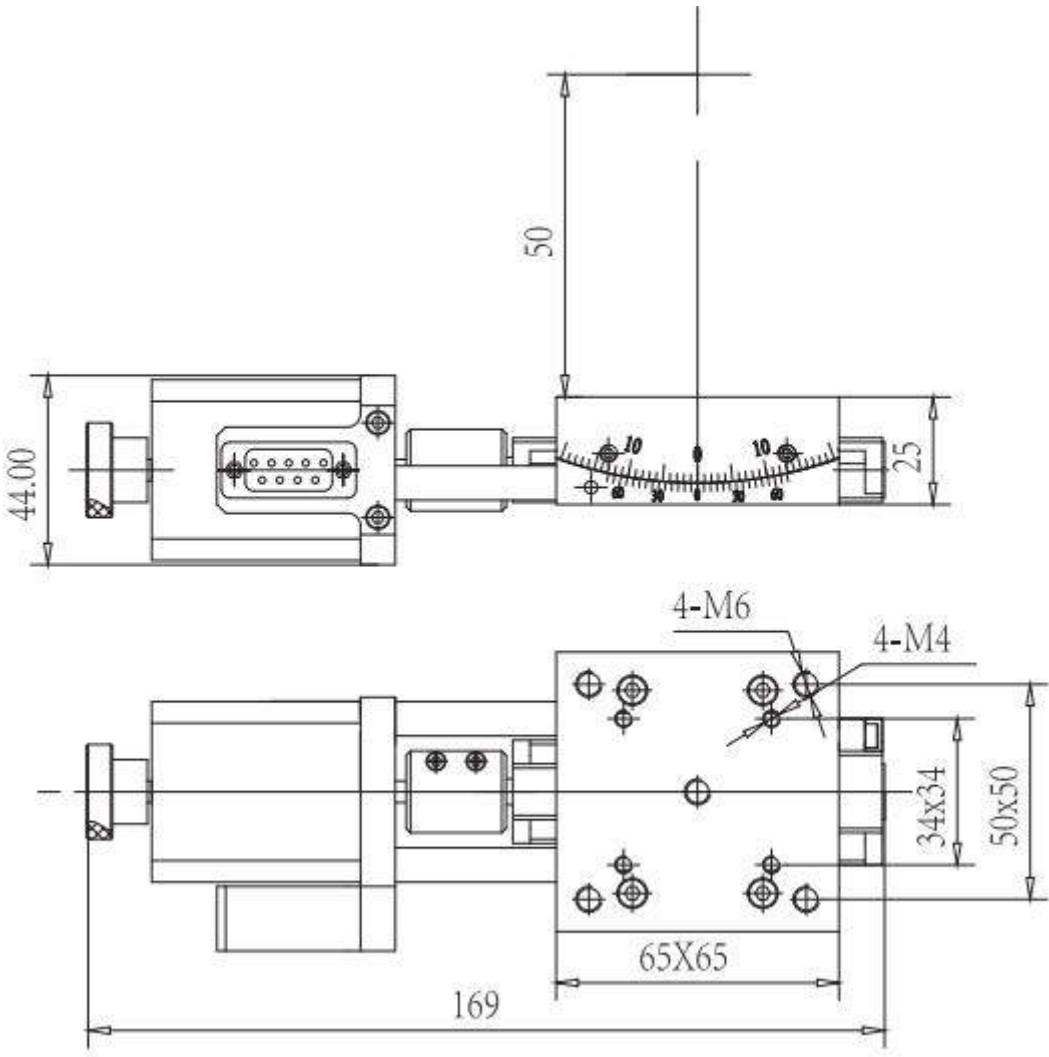
**LSDJ - 10HW - 01**

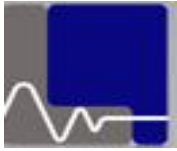




Jiangxi Liansheng Technology Co.,Ltd  
Address: Room 402, No.1277, No. 95, Fushan Yi Lu, The Economic  
Development Area of Xiaolan, Nanchang, Jiangxi, China  
Tel: +8679188224426 Email: [sales2@opticaltable.cn](mailto:sales2@opticaltable.cn)  
Web: [www.opticaltable.com](http://www.opticaltable.com) Contact: GraceDuan

**LSDJ - 15HW - 01:**





Jiangxi Liansheng Technology Co.,Ltd  
Address: Room 402, No.1277, No. 95, Fushan Yi Lu, The Economic  
Development Area of Xiaolan, Nanchang, Jiangxi, China

Tel: +8679188224426

Email: [sales2@](mailto:sales2@opticaltable.cn)

Web: [www.](http://www.opticaltable.com)

[opticaltable.cn](http://opticaltable.cn) Contact:

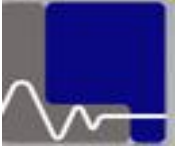
[opticaltable.com](http://opticaltable.com)

GraceDuan

## Motorized Goniometer and Tilting Stages LSDJ - HW - 02 Series and LSDJ - HW - 03

### Technical Specs:

Product Model	LSDJ - 10HW - 02	LSDJ - 15HW - 02	LSDJ - 15HW - 03
Platform Dimension	120X130mm	120X130mm	160X160mm
Adjusting Angle Range	$\pm 10^\circ$	$\pm 10^\circ$	$\pm 15^\circ$
Transmission Ratio	464:1	372:1	400:1
Center Height	210mm	160mm	139mm
Guide Rail	Arc-shaped Crossed Roller	Arc-shaped Crossed Roller	Arc-shaped Crossed Roller
Prototype Motor	57BYGH(1.8°)	57BYGH(1.8°)	57BYGH(1.8°)
Resolution	1.7"	2.2"	2"
Repeating Accuracy	<10"	<10"	<10"
Max Speed	10° Sec	12° Sec	11° Sec
Load Capacity	15kg	15kg	30kg
Net Weight	9kg	9kg	11kg

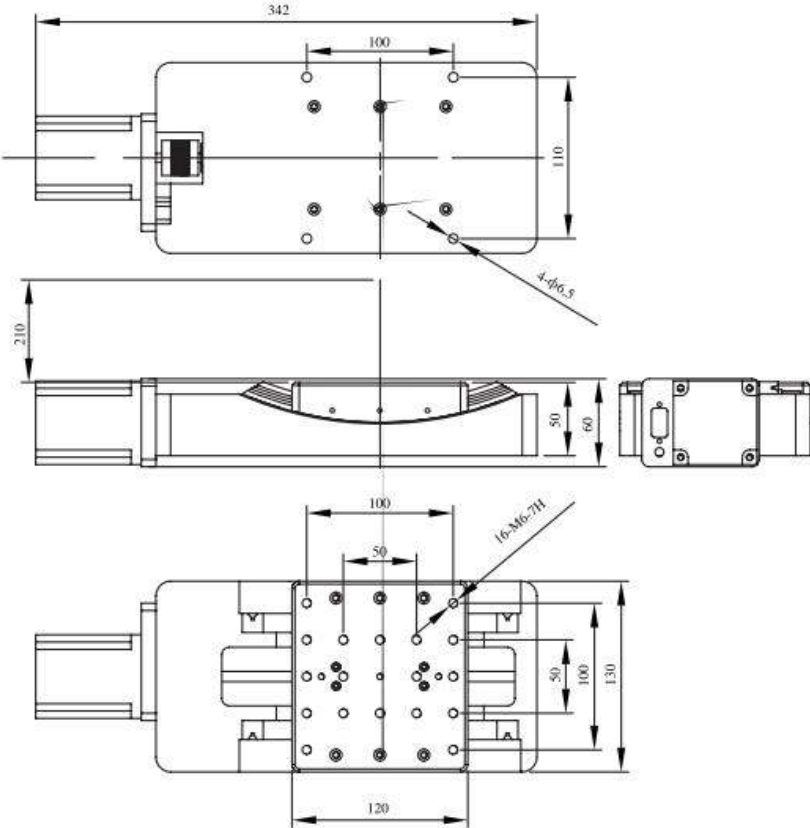


Jiangxi Liansheng Technology Co.,Ltd  
Address: Room 402, No.1277, No. 95, Fushan Yi Lu, The Economic  
Development Area of Xiaolan, Nanchang, Jiangxi, China  
Tel: +8679188224426 Email: [sales2@opticaltable.cn](mailto:sales2@opticaltable.cn)

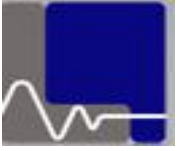
Web: [www.opticaltable.com](http://www.opticaltable.com) Contact: GraceDuan

**Product Picture and Technical Drawings:**

**LSDJ - 10HW - 02**



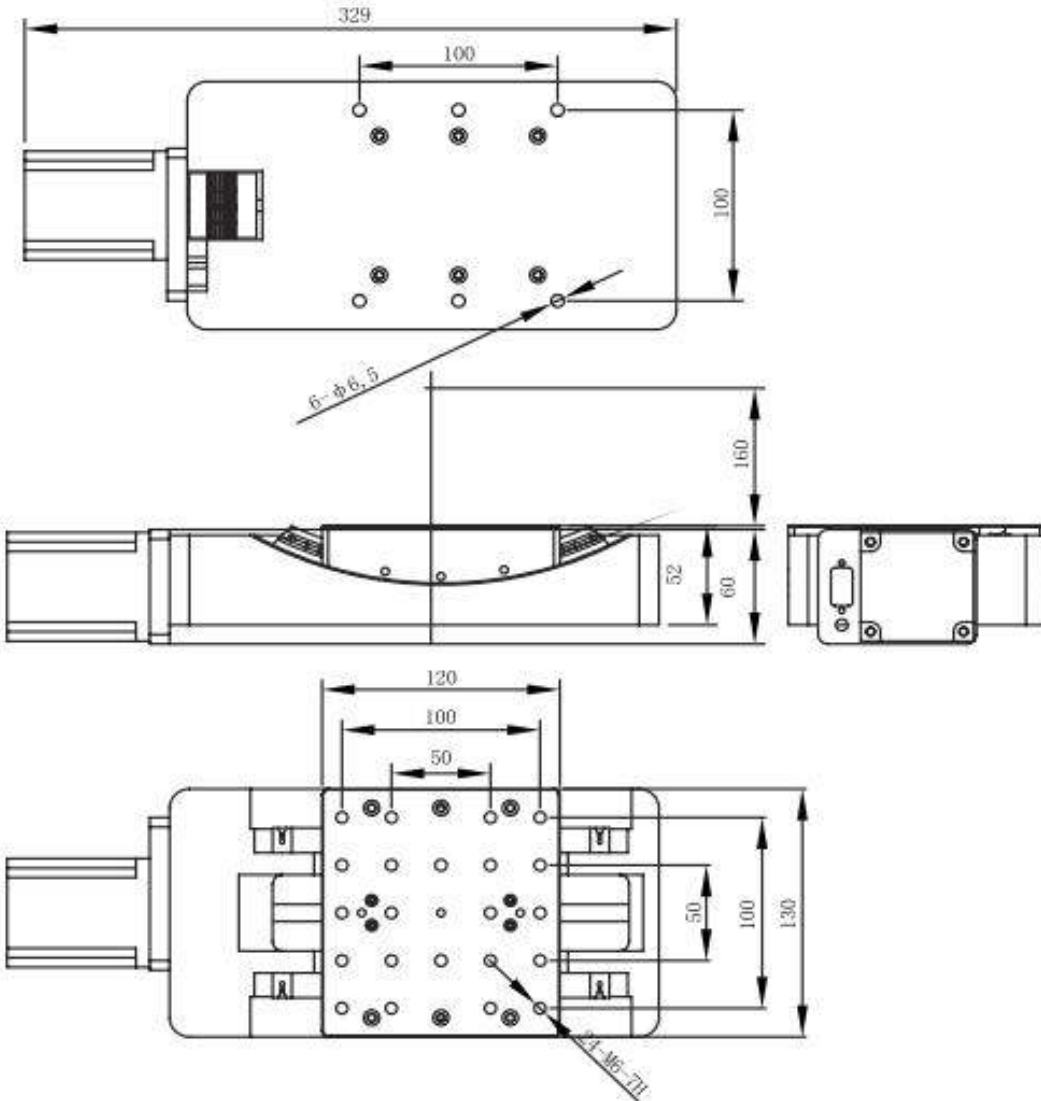


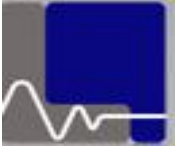


Jiangxi Liansheng Technology Co.,Ltd  
Address: Room 402, No.1277, No. 95, Fushan Yi Lu, The Economic  
Development Area of Xiaolan, Nanchang, Jiangxi, China  
Tel: +8679188224426 Email: [sales2@opticaltable.cn](mailto:sales2@opticaltable.cn)

Web: [www.opticaltable.com](http://www.opticaltable.com) Contact: GraceDuan

**LSDJ - 15HW - 02:**

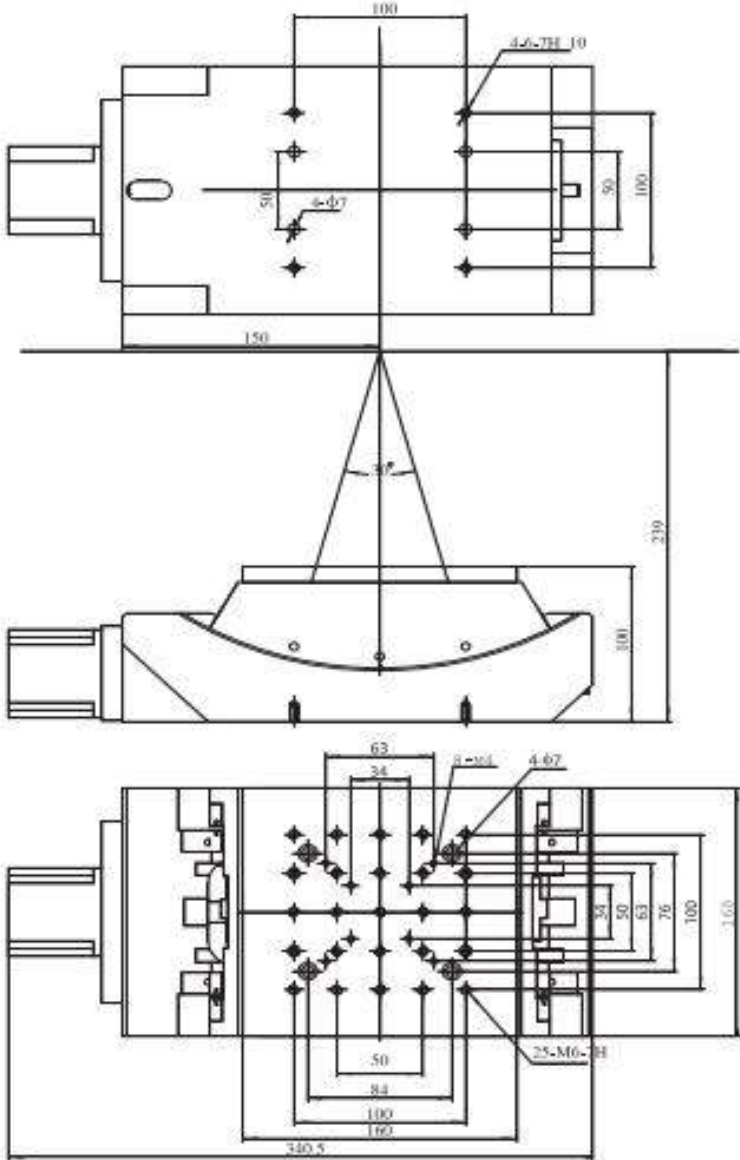


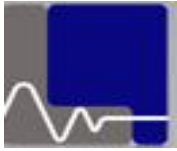


Jiangxi Liansheng Technology Co.,Ltd  
Address: Room 402, No.1277, No. 95, Fushan Yi Lu, The Economic  
Development Area of Xiaolan, Nanchang, Jiangxi, China  
Tel: +8679188224426 Email: [sales2@opticaltable.cn](mailto:sales2@opticaltable.cn)

Web: [www.opticaltable.com](http://www.opticaltable.com) Contact: GraceDuan

LSDJ - 15HW - 03





Jiangxi Liansheng Technology Co.,Ltd  
 Address: Room 402, No.1277, No. 95, Fushan Yi Lu, The Economic  
 Development Area of Xiaolan, Nanchang, Jiangxi, China

Tel: +8679188224426

Email: [sales2@opticaltable.cn](mailto:sales2@opticaltable.cn)

Web: [www.opticaltable.com](http://www.opticaltable.com)

Contact: GraceDuan

[opticaltable.com](http://www.opticaltable.com)

GraceDuan

## 7. Assembled XY & XYZ Motorized Stages

### Assembled XY Motorized Linear Stages LSDZ-02-01

#### Technical Specs:



Product Model	<b>LSDZ-02-01</b>
Travel range	50mm in X & Y Axis
Platform Dimension	110X90mm
Assembled Parts	Assembled by two pieces of LSDP-50JS

*Detailed technical specs please refer to Motorized Linear Stage LSDP-50JS.*

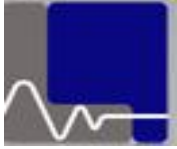
### Assembled XY Motorized Tilting Stages LSDZ-02-02

#### Technical Specs:



Product Model	<b>LSDZ-02-02</b>
Travel range	X & Y Tilting X: $\pm 15^\circ$ Y: $\pm 10^\circ$
Platform Dimension	65X65mm
Assembled Parts	Assembled by LSDJ-15HW-01 LSDJ-10HW-01

*Detailed technical specs please refer to Motorized Goniometer & Tilting Stage LSDJ-15HW-01 and LSDJ-10HW-01..*



Jiangxi Liansheng Technology Co.,Ltd  
Address: Room 402, No.1277, No. 95, Fushan Yi Lu, The Economic  
Development Area of Xiaolan, Nanchang, Jiangxi, China

Tel: +8679188224426

Email: [sales2@](mailto:sales2@opticaltable.cn)

Web: [www.](http://www.opticaltable.com)

[opticaltable.cn](http://opticaltable.cn)

Contact:

[opticaltable.com](http://www.opticaltable.com)

GraceDuan

### Assembled XZ Motorized Stages LSDZ-02-03

#### Technical Specs:



Product Model	<b>LSDZ-02-03</b>
Adjusting range	X & Z 2 Axis X: $\pm 15^\circ$ Z: $360^\circ$
Platform Dimension	65X65mm
Assembled Parts	Assembled by LSDJ-15HW-01 LSDH-100WS

*Detailed technical specs please refer to Motorized Goniometer & Tilting Stage LSDJ-15HW-01 and motorized rotary stage LSDH-100WS.*

### Assembled XYZ Motorized Stages LSDZ-03-01

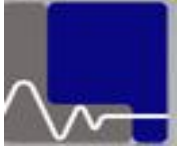
#### Technical Specs:



Product Model	<b>LSDZ-03-01</b>
Travel Range	50mm in X Y & Z Axis
Platform Dimension	90X110mm
Assembled Parts	Assembled by three pieces of LSDP-50JS

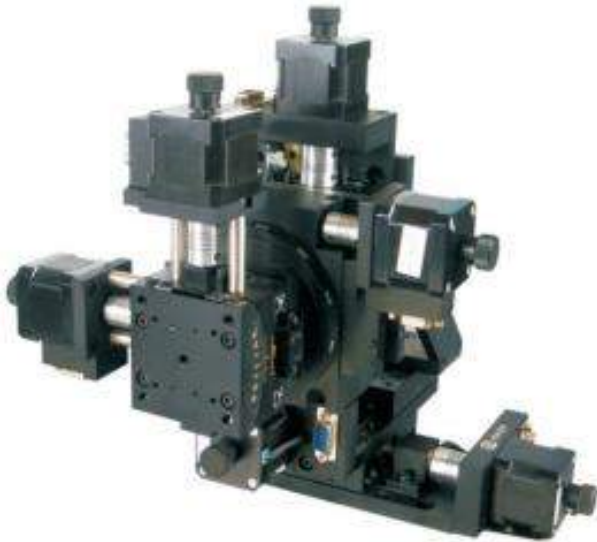
*Detailed technical specs please refer to Motorized Linear Stage LSDP-50JS.*





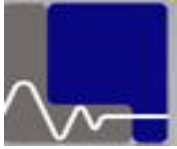
Jiangxi Liansheng Technology Co.,Ltd  
Address: Room 402, No.1277, No. 95, Fushan Yi Lu, The Economic  
Development Area of Xiaolan, Nanchang, Jiangxi, China  
Tel: +8679188224426 Email: [sales2@opticaltable.cn](mailto:sales2@opticaltable.cn)  
Web: [www.opticaltable.com](http://www.opticaltable.com) Contact: GraceDuan

**Assembled X、 Y、 Z 、  $\theta_x$ 、  $\theta_y$  and  $\theta_z$  Six Axis Motorized Stages LSDZ-06-01**  
**Technical Specs:**



Product Model	<b>LSDZ-06-01</b>
Travel Range Adjusting Range	XYZ: 50mm $\theta_x$ : $\pm 10^\circ$ $\theta_y$ : $360^\circ$ $\theta_z$ : $\pm 15^\circ$
Platform Dimension	65X65mm
Assembled Parts	Assembled by three pieces of LSDP-50JS, one LSDH-100WS, LSDJ-10HW-01 and LSDJ-15HW-02

*Detailed technical specs please refer to the technical specs of each assembled parts.*



Jiangxi Liansheng Technology Co.,Ltd  
 Address: Room 402, No.1277, No. 95, Fushan Yi Lu, The Economic  
 Development Area of Xiaolan, Nanchang, Jiangxi, China  
 Tel: +8679188224426 Email: [sales2@opticaltable.cn](mailto:sales2@opticaltable.cn)  
 Web: [www.opticaltable.com](http://www.opticaltable.com) Contact: GraceDuan

## 1. High Precision Mirror Mount LSBF-1YT Series

**Product Name: High Precision Mirror Mount**

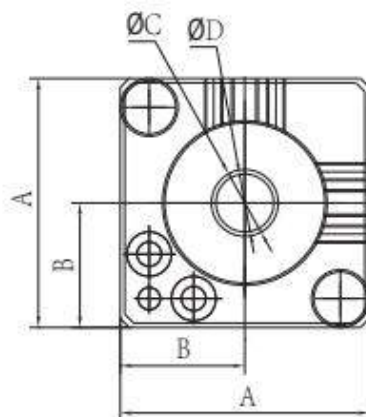
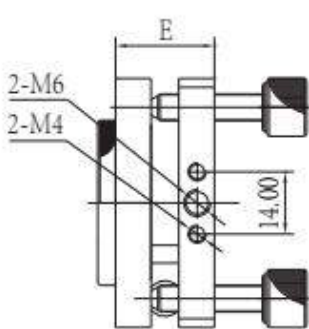
**Product Features:**

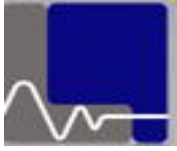
1. M6X0.25 thread screw adjustment
2. Disco-shaped spring return
3. Adjustment range:  $\pm 3^\circ$

**Technical Specs:**

Model	LSBF15-1YT	LSBF20-1YT	LSBF25.4-1YT	LSBF30-1YT	LSBF40-1YT	LSBF50.8-1YT
A	56	56	56	56	75	56
B	28	28	28	28	37.5	28
C (Installation Diameter)	15	20	25.3	30	40	50.8
D (Aperture Hole)	13	18	23	28	30	47
E	22	22	22	22	26	26
Net Weight:	0.16kg	0.16kg	0.16kg	0.16kg	0.18kg	0.18kg

**Technical Drawings & Product Picture:**





Jiangxi Liansheng Technology Co.,Ltd  
 Address: Room 402, No.1277, No. 95, Fushan Yi Lu, The Economic  
 Development Area of Xiaolan, Nanchang, Jiangxi, China  
 Tel: +8679188224426 Email: [sales2@opticaltable.cn](mailto:sales2@opticaltable.cn)  
 Web: [www.opticaltable.com](http://www.opticaltable.com) Contact: GraceDuan

## 2. High Precision Mirror Mount LSBF-1ZT Series

**Product Name: High Precision Mirror Mount**

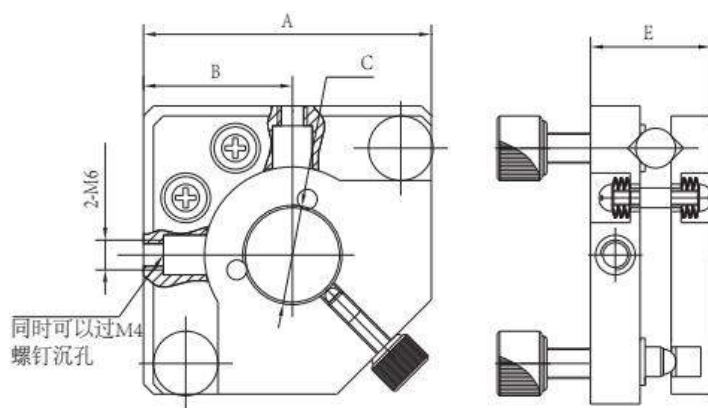
**Product Features:**

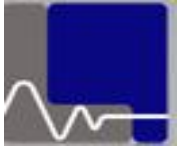
- 4. M6X0.25 thread screw adjustment
- 5. Disco-shaped spring return
- 6. Adjustment range:  $\pm 3^\circ$

**Technical Specs:**

Model	LSBF20-1ZT	LSBF25.4-1ZT	LSBF30-1ZT	LSBF38.1-1ZT	LSBF40-1ZT	LSBF50.8-1ZT
A	48	53	53	59	59	72
B	27	29	29	33	33	37
C (Installation Diameter)	20	25.4	30	40	40	50.8
E	24	24	24	24	24	24
Net Weight:	0.16kg	0.16kg	0.16kg	0.18kg	0.20kg	0.24kg

**Technical Drawings & Product Picture:**





Jiangxi Liansheng Technology Co.,Ltd  
Address: Room 402, No.1277, No. 95, Fushan Yi Lu, The Economic  
Development Area of Xiaolan, Nanchang, Jiangxi, China  
Tel: +8679188224426 Email: [sales2@opticaltable.cn](mailto:sales2@opticaltable.cn)  
Web: [www.opticaltable.com](http://www.opticaltable.com) Contact: GraceDuan

### 3. High Precision Mirror Mount LSBF-1ZT Series (For smaller optics installation)

**Product Name: High Precision Mirror Mount**

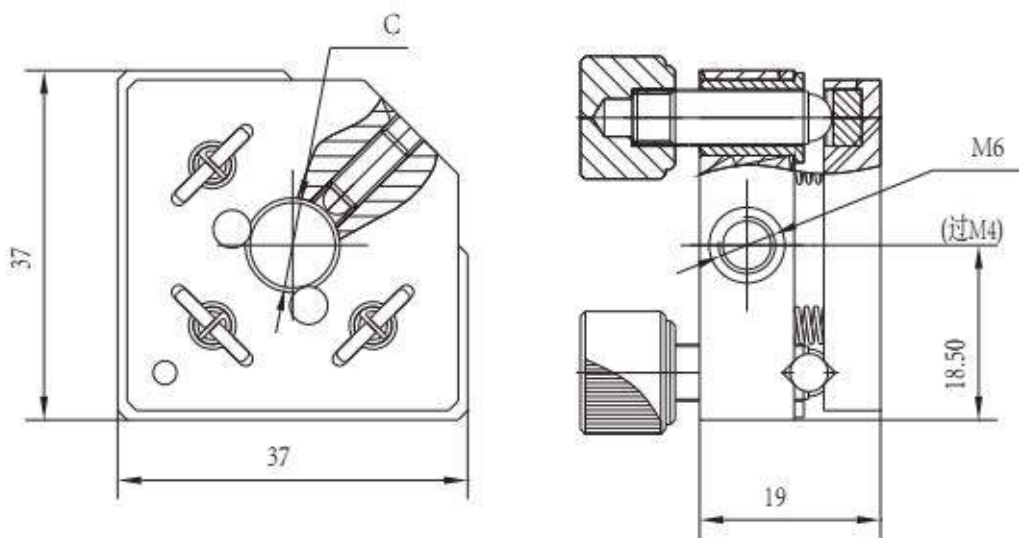
**Product Features:**

- 7. M6X0.25 thread screw adjustment
- 8. Disco-shaped spring return
- 9. Adjustment range:  $\pm 3^\circ$

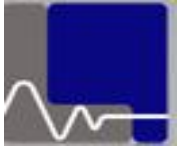
**Technical Specs:**

Model	LSBF8-1ZT	LSBF10-1ZT	LSBF12.7-1ZT	LSBF16-1ZT
C (Installation Diameter)	20	25.4	30	40
Net Weight:	0.16kg	0.16kg	0.16kg	0.18kg

**Technical Drawings & Product Picture:**







Jiangxi Liansheng Technology Co.,Ltd  
 Address: Room 402, No.1277, No. 95, Fushan Yi Lu, The Economic  
 Development Area of Xiaolan, Nanchang, Jiangxi, China  
 Tel: +8679188224426 Email: [sales2@opticaltable.cn](mailto:sales2@opticaltable.cn)  
 Web: [www.opticaltable.com](http://www.opticaltable.com) Contact: GraceDuan

#### 4. High Precision Mirror Mount LSKF-1ZT Series

**Product Name: High Precision Mirror Mount**

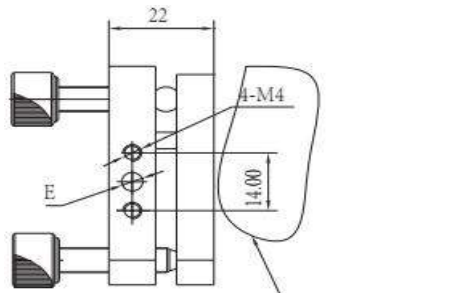
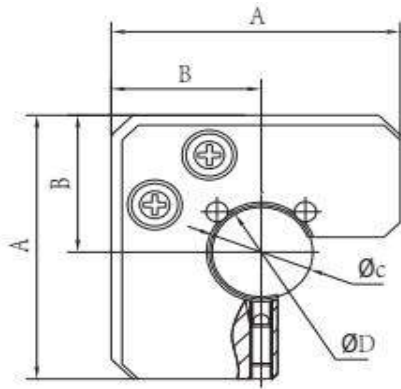
**Product Features:**

1. M6X0.25 thread screw adjustment, opening installation structure
2. Disco-shaped spring return
3. Adjustment range:  $\pm 3^\circ$

**Technical Specs:**

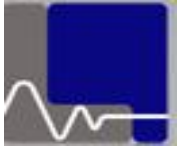
Model	LSKF10-1ZT	LSKF15-1ZT	LSKF20-1ZT	LSKF25.4-1ZT	LSKF30-1ZT	LSKF40-1ZT	LSKF50.8-1ZT
A	46	46	53	53	58	78	78
B	24	24	27.5	27.5	30	40	40
C (Installation Diameter)	10	15	20	25.4	30	40	40
E	M4	M4	M6	M6	M6	M6	M6
Net Weight:	0.16kg	0.16kg	0.16kg	0.18kg	0.2kg	0.2kg	0.22kg

**Technical Drawings & Product Picture:**



LSKF40-1ZT 和 LSKF50.8-1ZT  
 这两款有这个安装孔

**Note: only LSKF40-1ZT & LSKF50.8-1ZT has the marked mounting holes.**



Jiangxi Liansheng Technology Co.,Ltd  
 Address: Room 402, No.1277, No. 95, Fushan Yi Lu, The Economic  
 Development Area of Xiaolan, Nanchang, Jiangxi, China  
 Tel: +8679188224426 Email: [sales2@opticaltable.cn](mailto:sales2@opticaltable.cn)  
 Web: [www.opticaltable.com](http://www.opticaltable.com) Contact: GraceDuan

## 5. High Precision Mirror Mount LSBF-2ZT Series

**Product Name: High Precision Mirror Mount**

**Product Features:**

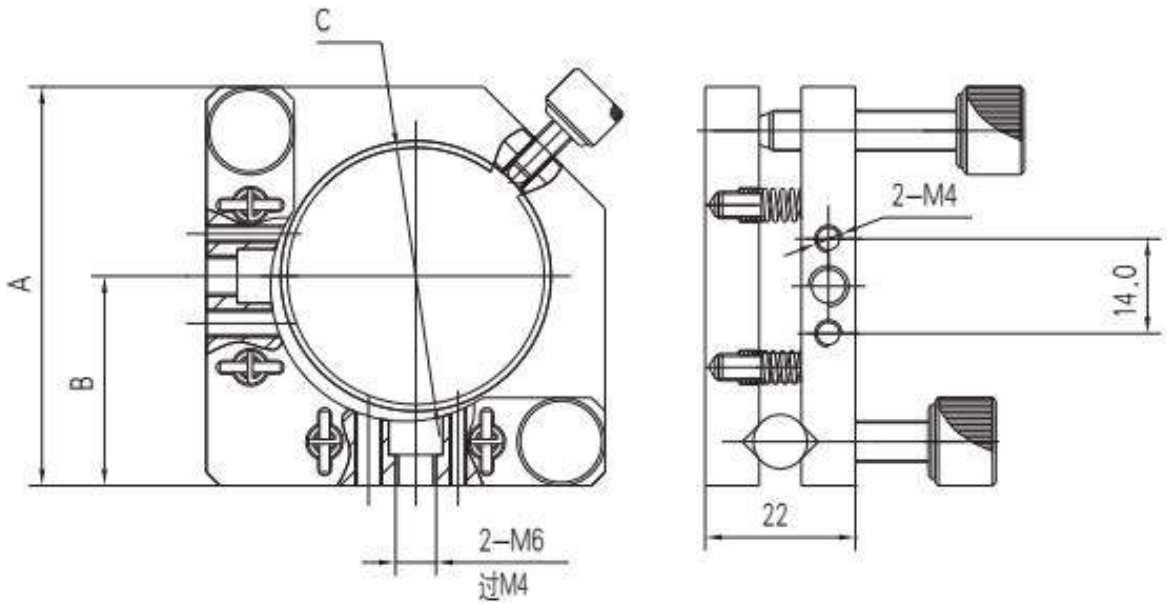
1. M6X0.25 thread screw adjustment
2. Disco-shaped spring return
3. Adjustment range:  $\pm 4^\circ$

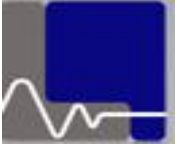
**Technical Specs & Product Picture:**

Model	LSBF38. 1-2ZT	LSBF40-2ZT	LSBF76-1ZT
A	59	53	96
B	29.5	29	53
C (Installation Diameter)	<b>38.1</b>	<b>40</b>	<b>76</b>
Net Weight:	0.26kg	0.16kg	0.35kg



**Technical Drawings**





Jiangxi Liansheng Technology Co.,Ltd  
Address: Room 402, No.1277, No. 95, Fushan Yi Lu, The Economic  
Development Area of Xiaolan, Nanchang, Jiangxi, China  
Tel: +8679188224426 Email: [sales2@opticaltable.cn](mailto:sales2@opticaltable.cn)  
Web: [www.opticaltable.com](http://www.opticaltable.com) Contact: GraceDuan

## 6. High Precision Mirror Mount LSBF25.4-3ZT

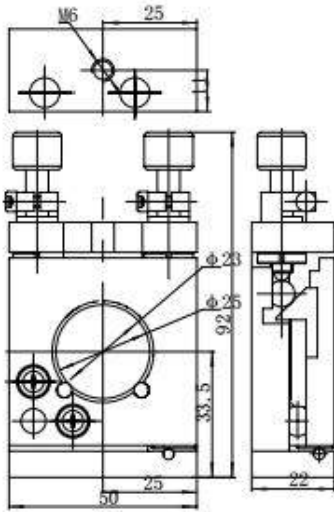
---

**Product Name: High Precision Mirror Mount**

**Product Features:**

1. M6X0.25 thread screw adjustment
2. Vertical direction adjustment
3. Axial vertical locking mechanism

**Technical Specs & Product Picture:**



## 7. High Precision Mirror Mount LSBF-WJ

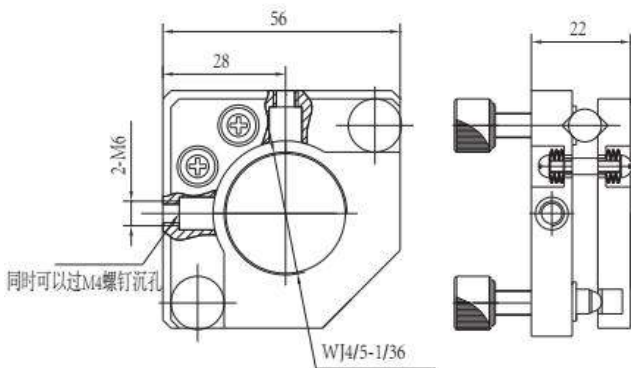
---

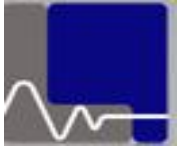
**Product Name: High Precision Mirror Mount**

**Product Features:**

1. M6X0.25 thread screw adjustment
2. Standard mounting thread for objective lens W J 5"- 1 36"
3. Adjustment range:  $\pm 3^\circ$

**Technical Specs & Product Picture:**





Jiangxi Liansheng Technology Co.,Ltd  
 Address: Room 402, No.1277, No. 95, Fushan Yi Lu, The Economic  
 Development Area of Xiaolan, Nanchang, Jiangxi, China  
 Tel: +8679188224426 Email: [sales2@opticaltable.cn](mailto:sales2@opticaltable.cn)  
 Web: [www.opticaltable.com](http://www.opticaltable.com) Contact: GraceDuan

## 8. High Precision Mirror Mount LSBF-04-1YT Series

**Product Name: High Precision Mirror Mount**

**Product Features:**

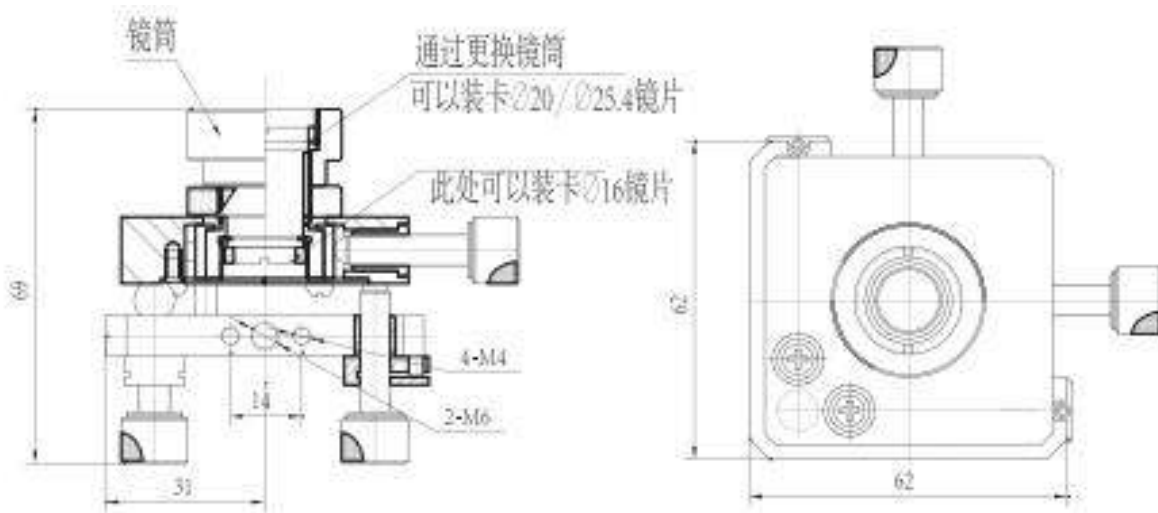
1. M6X0.25 thread screw adjustment
2. Disco-shaped spring return
3. XY two dimension
4. Adjustment range:  $\pm 4^\circ$

**Technical Specs & Product Picture:**

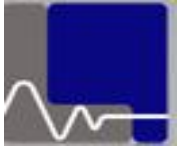
Model	LSBF20-04-1YT	LSBF25.4 -04-1YT
Installation Diameter	16 20mm	16 25.4mm
XY linear range	$\pm 2\text{mm}$	
Net Weight:	0.24kg	0.24kg



**Technical Drawings**







Jiangxi Liansheng Technology Co.,Ltd  
 Address: Room 402, No.1277, No. 95, Fushan Yi Lu, The Economic  
 Development Area of Xiaolan, Nanchang, Jiangxi, China  
 Tel: +8679188224426 Email: [sales2@opticaltable.cn](mailto:sales2@opticaltable.cn)  
 Web: [www.opticaltable.com](http://www.opticaltable.com) Contact: GraceDuan

## 9. High Precision Mirror Mount LSTF-1ZT Series

### Two Tilting Axis Tilt Optics Mount

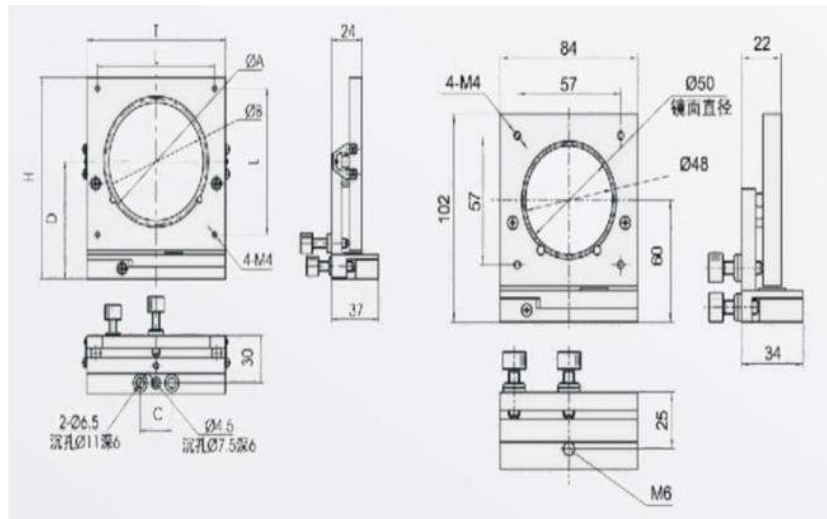
#### LSTF-1ZT Series

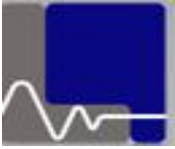
#### Technical Specs:

#### ● Technical Specs:

Model	A ( interface Diameter)	B	C	D	L	H	T	Adjust Range	Net Weight ( kg)
LSTF50-1ZT	50	48		60	57	102	84		0.35
LSTF80-1ZT	80	75	25	75	93	128.5	110	±4°	0.46
LSTF100-1ZT	100	95	25	85	113	146.5	130		0.56
LSTF102-1ZT	102	97	50	86	90	151.5	132		0.6
LSTF106-1ZT	106	107	50	86	90	151.5	132		0.67

#### Technical Drawing & Product Picture:





Jiangxi Liansheng Technology Co.,Ltd  
Address: Room 402, No.1277, No. 95, Fushan Yi Lu, The Economic  
Development Area of Xiaolan, Nanchang, Jiangxi, China  
Tel: +8679188224426 Email: [sales2@opticaltable.cn](mailto:sales2@opticaltable.cn)  
Web: [www.opticaltable.com](http://www.opticaltable.com) Contact: GraceDuan

## 10. High Precision Mirror Mount LSTF-40TZ-1YT

### Two Angle Adjustment Optics Mount

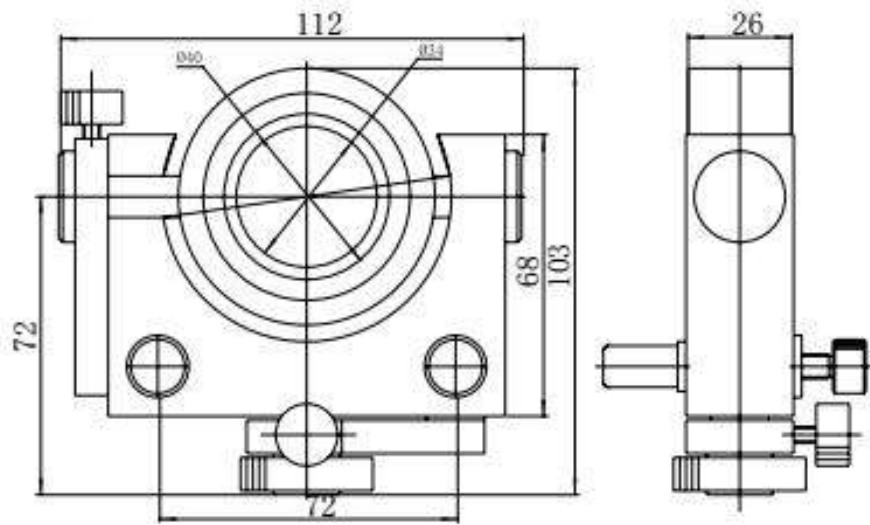
Model: LSTF-40TZ-1YT

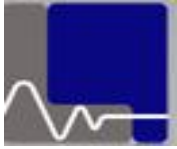
Technical Specs:

● Technical Specs:

Technical Specs:

Model	LSTF-40TZ-1YT
Installation Diameter	40
Net Weight	0.6kg
Adjustment Range	Coarse: 360° Fine: $\pm 3^\circ$





Jiangxi Liansheng Technology Co.,Ltd  
Address: Room 402, No.1277, No. 95, Fushan Yi Lu, The Economic  
Development Area of Xiaolan, Nanchang, Jiangxi, China  
Tel: +8679188224426 Email: [sales2@opticaltable.cn](mailto:sales2@opticaltable.cn)  
Web: [www.opticaltable.com](http://www.opticaltable.com) Contact: GraceDuan

## 11. High Precision Mirror Mount LSTF-50TZ-1YT

### Two Angle Adjustment Optics Mount

Model: LSTF-50TZ-1YT

Technical Specs:

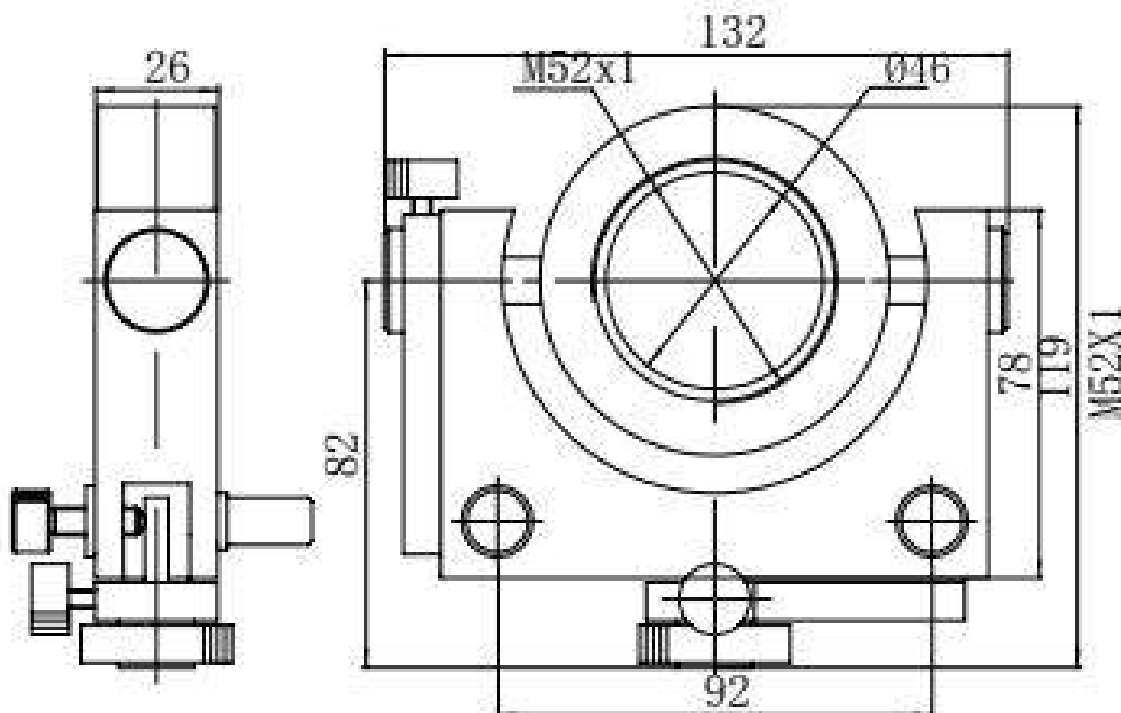
● Technical Specs:

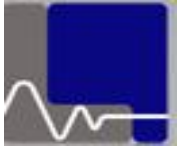
Technical Specs:



Model	LSTF-50TZ-1YT
Installation Diameter	50 50.8mm
Net Weight	0.7kg
Adjustment Range	$\pm 3^\circ$

### Technical Drawings:





Jiangxi Liansheng Technology Co.,Ltd  
Address: Room 402, No.1277, No. 95, Fushan Yi Lu, The Economic  
Development Area of Xiaolan, Nanchang, Jiangxi, China  
Tel: +8679188224426 Email: [sales2@opticaltable.cn](mailto:sales2@opticaltable.cn)  
Web: [www.opticaltable.com](http://www.opticaltable.com) Contact: GraceDuan

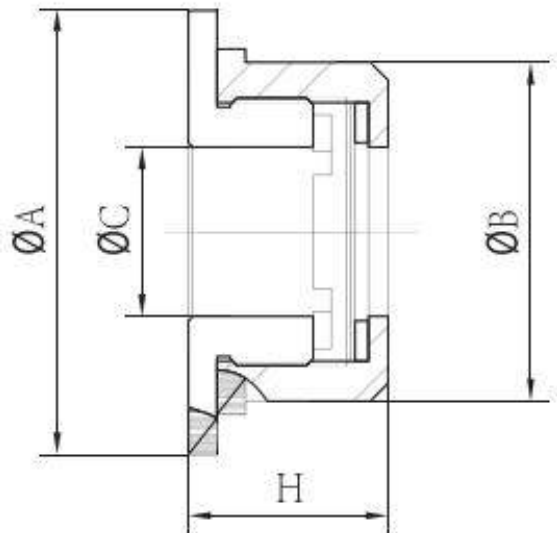
## 12. Cylindrical Mirror Mount LSZM1 Series

**Product Name: Cylindrical Mirror Mount**

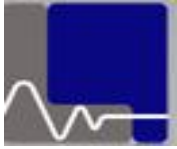
**Technical Specs & Product Picture:**

Model	LSZM1-6.4	LSZM1-12.7	LSZM1-19	LSZM1-25
A	50	50	73	73
B	38	38	56	56
C	19	19	45	45
H	22	26	38	46
Installation Dimension	<b>6.4X25</b>	<b>12.7X25</b>	<b>19X51</b>	<b>25X51</b>
Net Weight	0.05kg	0.05kg	0.15kg	0.15kg

**Technical Drawings**







Jiangxi Liansheng Technology Co.,Ltd  
Address: Room 402, No.1277, No. 95, Fushan Yi Lu, The Economic  
Development Area of Xiaolan, Nanchang, Jiangxi, China  
Tel: +8679188224426 Email: [sales2@opticaltable.cn](mailto:sales2@opticaltable.cn)  
Web: [www.opticaltable.com](http://www.opticaltable.com) Contact: GraceDuan

### 13. Cylindrical Mirror Mount LSZM2-54

Model: LSZM2-54

Technical Specs:

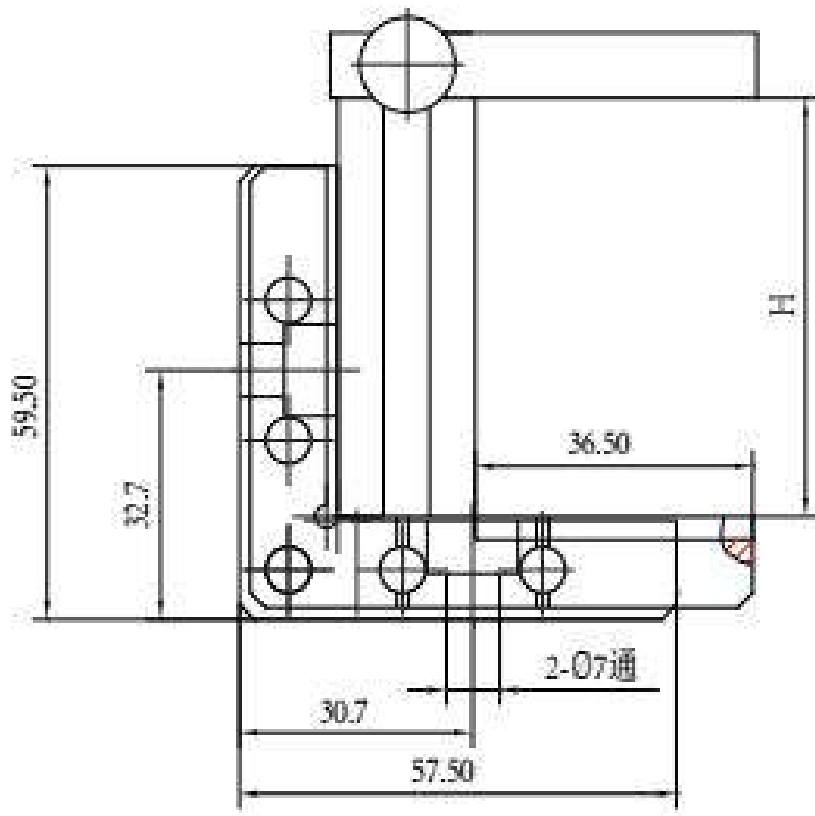
● Technical Specs:

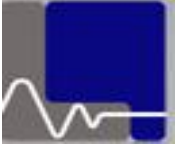
Technical Specs:



Model	LSZM2-54
Optics Height Range	2-54mm
Optics Thickness Range	1-6mm
Net Weight	0.14kg

Technical Drawings:





Jiangxi Liansheng Technology Co.,Ltd  
Address: Room 402, No.1277, No. 95, Fushan Yi Lu, The Economic  
Development Area of Xiaolan, Nanchang, Jiangxi, China  
Tel: +8679188224426 Email: [sales2@opticaltable.cn](mailto:sales2@opticaltable.cn)  
Web: [www.opticaltable.com](http://www.opticaltable.com) Contact: GraceDuan

#### 14. Prism Mirror Mount LSLJ1-30

##### Two Axis Adjustment

##### Technical Specs:

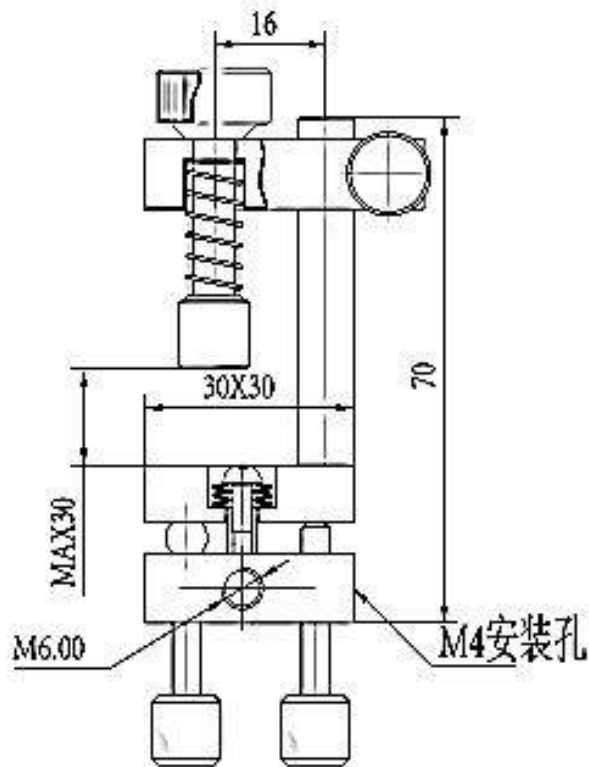
- Technical Specs:

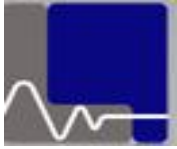
##### Technical Specs:



Model	<b>LSLJ1-30</b>
Optics Height Range	0-30mm
Adjustment Angle	$\pm 5^\circ$
Net Weight	0.18kg

##### Technical Drawings:





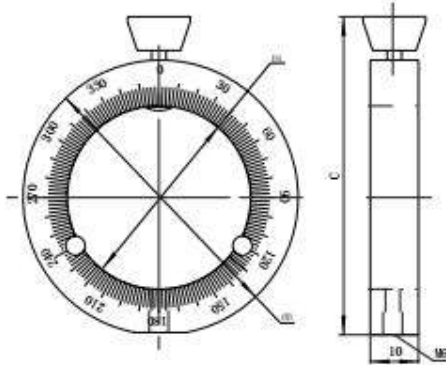
Jiangxi Liansheng Technology Co.,Ltd  
 Address: Room 402, No.1277, No. 95, Fushan Yi Lu, The Economic  
 Development Area of Xiaolan, Nanchang, Jiangxi, China  
 Tel: +8679188224426 Email: [sales2@opticaltable.cn](mailto:sales2@opticaltable.cn)  
 Web: [www.opticaltable.com](http://www.opticaltable.com) Contact: GraceDuan

### 15. Polarizer Mirror Mount LSPG1 Series

Technical Specs:

● Technical Specs:

Technical Specs:



Model	LSPG1-38	LSPG1-56
A	38	56
B	57	75
C	66	86
Net Weight	0.05kg	0.07kg

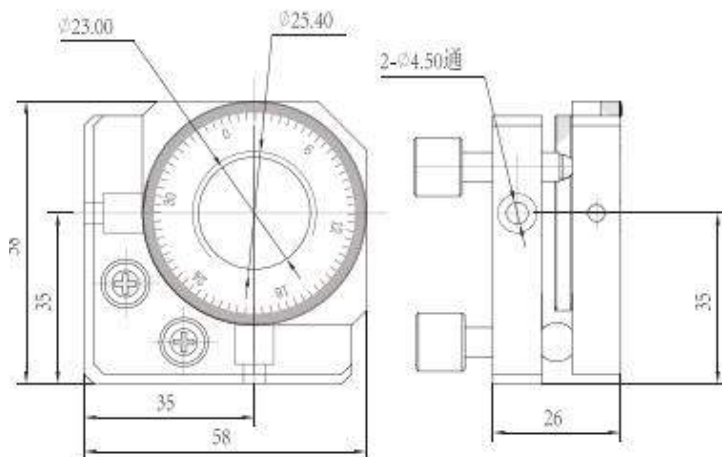
### 16. Polarizer Mirror Mount LSPG2-25.4

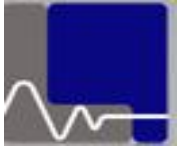
Technical Specs:

● Technical Specs:



Model	LSPG2-25.4
Rotary Adjustment	360°
Mini Scaling	2°
Tilting Angle	±5°
Net Weight	0.05kg



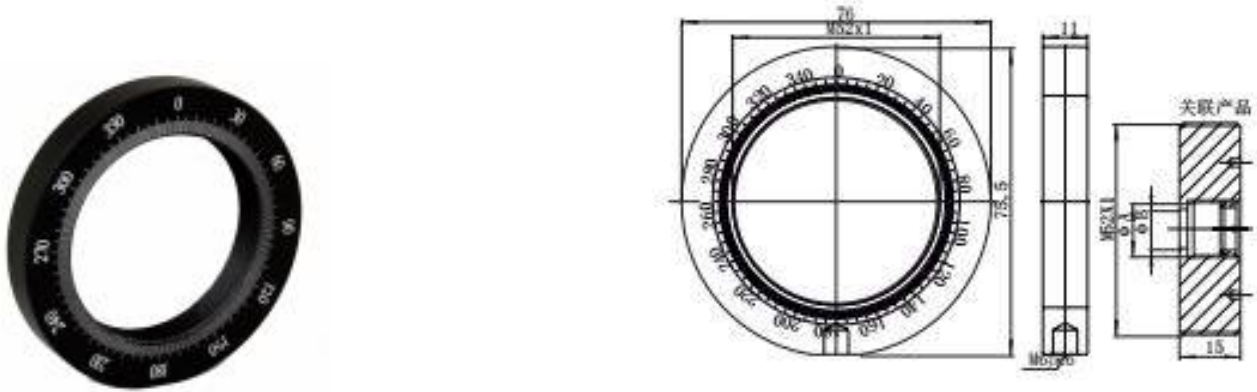


Jiangxi Liansheng Technology Co.,Ltd  
 Address: Room 402, No.1277, No. 95, Fushan Yi Lu, The Economic  
 Development Area of Xiaolan, Nanchang, Jiangxi, China  
 Tel: +8679188224426 Email: [sales2@opticaltable.cn](mailto:sales2@opticaltable.cn)  
 Web: [www.opticaltable.com](http://www.opticaltable.com) Contact: GraceDuan

### 17. Polarizer Mirror Mount LSPG3-52

**Technical Specs:**

- **Technical Specs:**  
 To be used with LSPT2.



### 18. Polarizer Mirror Mount LSPG4 Series

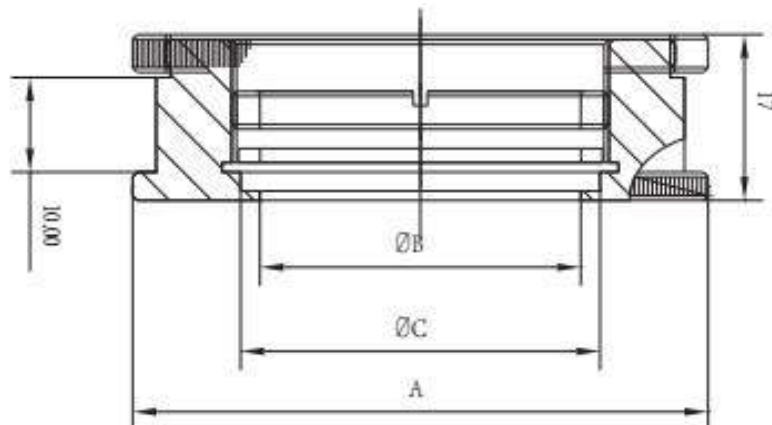
**Technical Specs:**

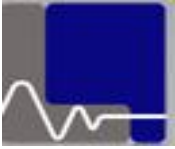
- **Technical Specs:**  
 - M52X1 Aperture  
 - Scaling of 360° for easy scale reading.

**Technical Specs:**



Model	LSPG4-25.4	LSPG4-38.1
A	43	61
B	23	34
C	25.4	38.1
	Used with LSPG1-38	Used with LSPG1-56
Net Weight	0.1kg	0.12kg





Jiangxi Liansheng Technology Co.,Ltd  
 Address: Room 402, No.1277, No. 95, Fushan Yi Lu, The Economic  
 Development Area of Xiaolan, Nanchang, Jiangxi, China  
 Tel: +8679188224426 Email: [sales2@opticaltable.cn](mailto:sales2@opticaltable.cn)  
 Web: [www.opticaltable.com](http://www.opticaltable.com) Contact: GraceDuan

### 19. Filter Mirror Mount LSLG1 Series

**Technical Specs:**

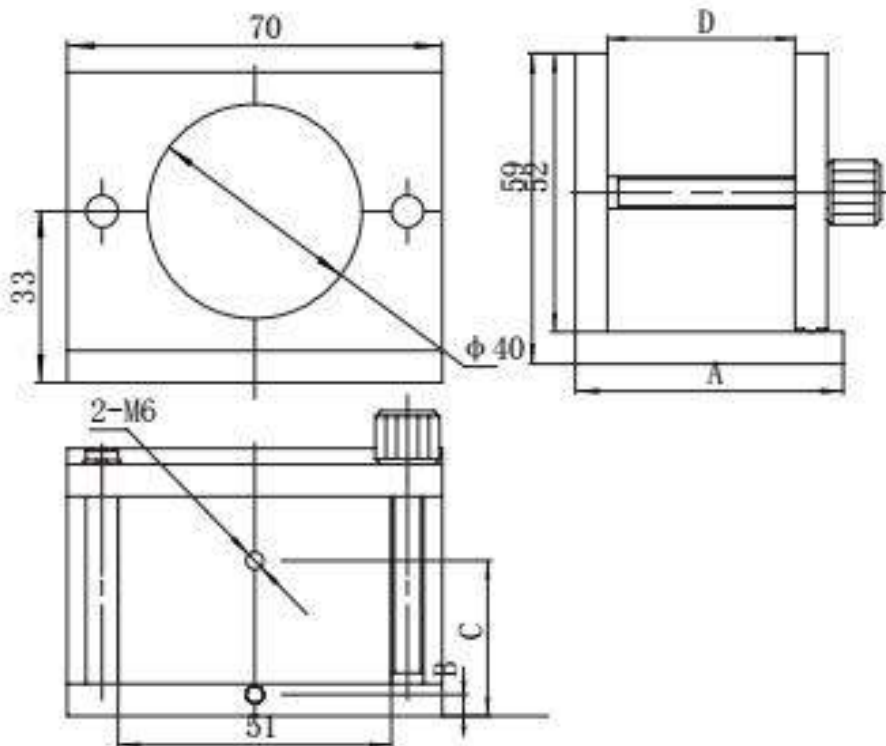
● **Technical Specs:**

- Slid plate adjustable
- Lockable hand wheel .

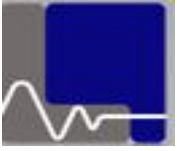
**Technical Specs:**



Model	LSLG1-8	LSPG1-30
A	25	50
B		5
C	11	30
Installation Width	50	50
Installation Thickness	8mm	30
Net Weight	0.1kg	0.12kg







Jiangxi Liansheng Technology Co.,Ltd  
Address: Room 402, No.1277, No. 95, Fushan Yi Lu, The Economic  
Development Area of Xiaolan, Nanchang, Jiangxi, China  
Tel: +8679188224426 Email: [sales2@opticaltable.cn](mailto:sales2@opticaltable.cn)  
Web: [www.opticaltable.com](http://www.opticaltable.com) Contact: GraceDuan

## 20. Filter Mirror Mount LSLG2-3

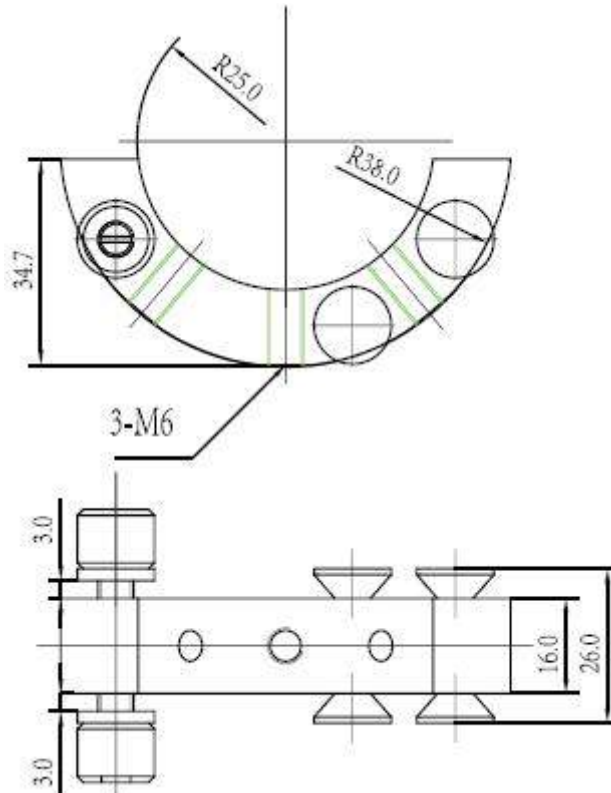
### ● Technical Specs:

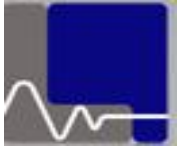
- Opening installation structure
- Lockable hand wheel .

### Technical Specs:



Model	<b>LSLG2-3</b>
Installation Width	3mm
Net Weight	0.05kg





Jiangxi Liansheng Technology Co.,Ltd  
Address: Room 402, No.1277, No. 95, Fushan Yi Lu, The Economic  
Development Area of Xiaolan, Nanchang, Jiangxi, China  
Tel: +8679188224426 Email: [sales2@opticaltable.cn](mailto:sales2@opticaltable.cn)  
Web: [www.opticaltable.com](http://www.opticaltable.com) Contact: GraceDuan

## 21. Filter Mirror Mount LSLG3-5

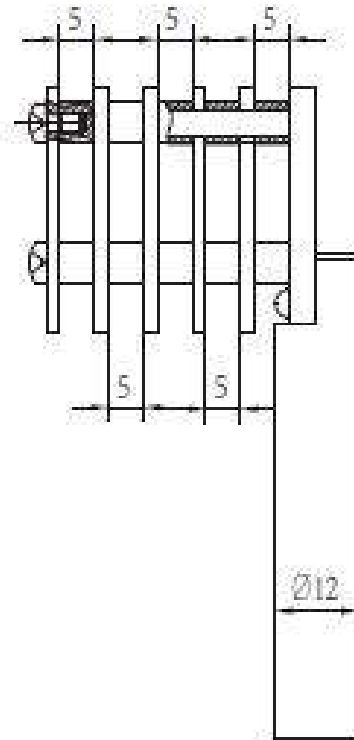
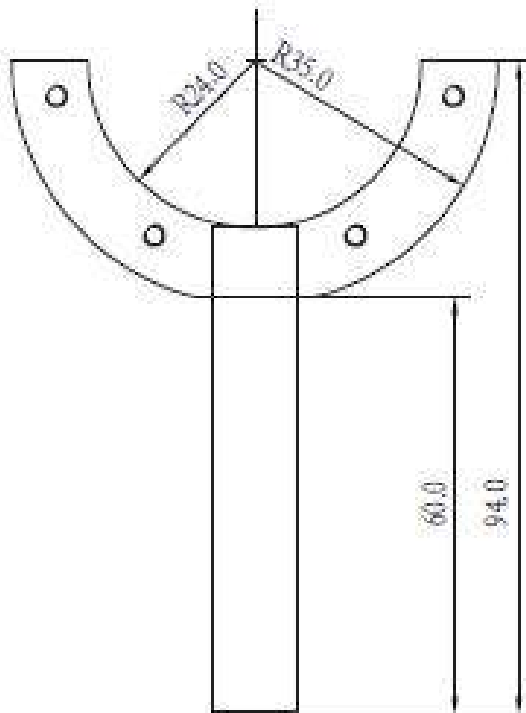
### ● Technical Specs:

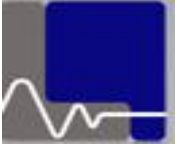
- Opening installation structure with multiple number of optics
- High Stability

### Technical Specs:



Model	LSLG3-5
Installation Width	5mm
Net Weight	0.15kg





Jiangxi Liansheng Technology Co.,Ltd  
 Address: Room 402, No.1277, No. 95, Fushan Yi Lu, The Economic  
 Development Area of Xiaolan, Nanchang, Jiangxi, China  
 Tel: +8679188224426 Email: [sales2@opticaltable.cn](mailto:sales2@opticaltable.cn)  
 Web: [www.opticaltable.com](http://www.opticaltable.com) Contact: GraceDuan

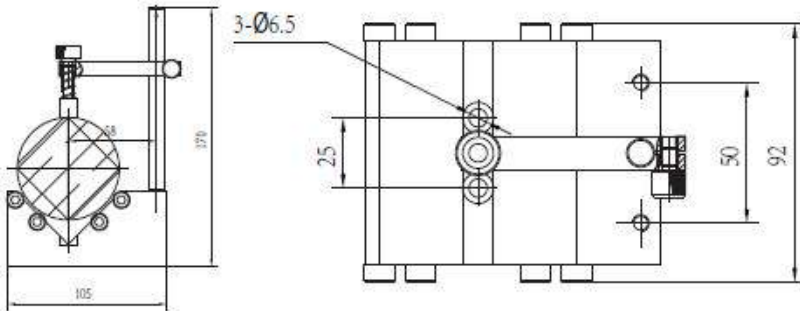
## 22. Installation Diameter Changeable Mirror Mount LSBJ1- 1ZT Series

### ● Technical Specs:

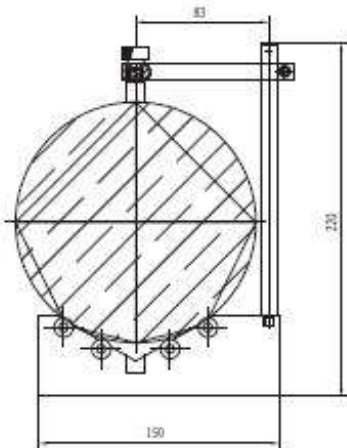
- For installation of cylinder mirror optics as well as lasers.
- M6 positioning mounting holes

### Technical Specs:

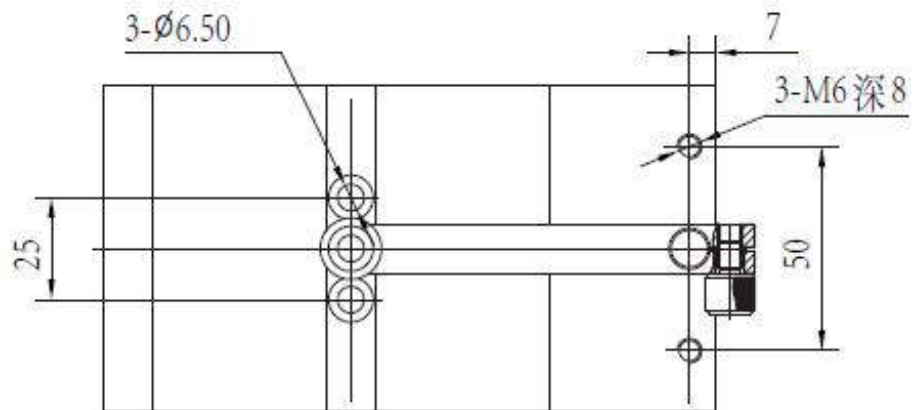
Model	LSBJ1-100-1ZT	LSBJ1-150-1ZT
Installation Diameter	20-100mm	20-100mm
Net Weight	0.82kg	1.1KG

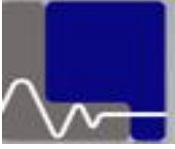


LSBJ1-100-1ZT



LSBJ1-150-1ZT





Jiangxi Liansheng Technology Co.,Ltd  
 Address: Room 402, No.1277, No. 95, Fushan Yi Lu, The Economic  
 Development Area of Xiaolan, Nanchang, Jiangxi, China  
 Tel: +8679188224426 Email: [sales2@opticaltable.cn](mailto:sales2@opticaltable.cn)  
 Web: [www.opticaltable.com](http://www.opticaltable.com) Contact: GraceDuan

### 23. Installation Diameter Changeable Mirror Mount LSBJ2 Series

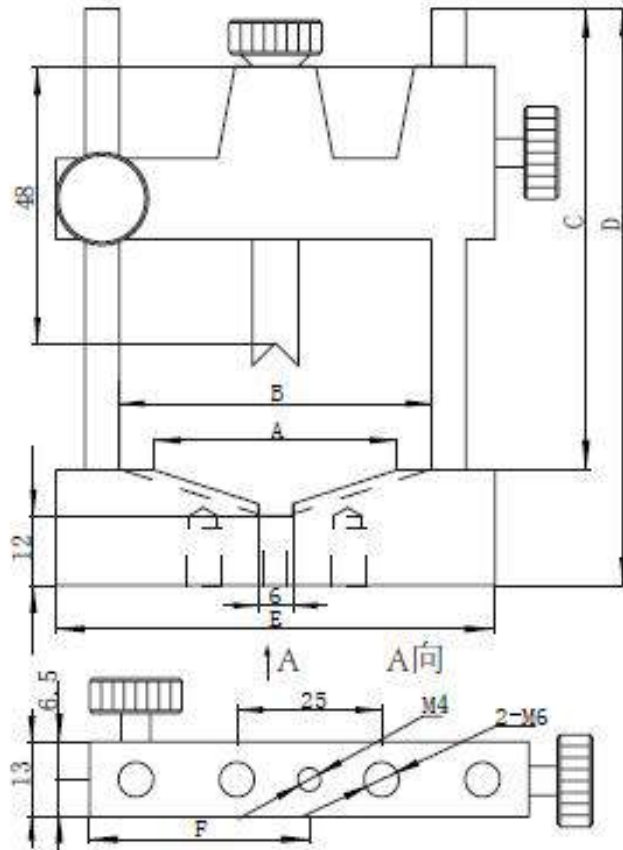
● **Technical Specs:**

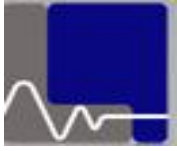
- For installation of cylinder mirror optics as well as lasers.
- M6 positioning mounting holes

**Technical Specs:**



Model	LSBJ2-50	LSBJ2-75	LSBJ2-100
A	42	65	90
B	54	80	105
C	80	106	126
D	100	128	151
E	76	102	127
F	38	51	63.5
Installation Diameter	5-50mm	50-75mm	10-100
Net Weight	0.15kg	0.2kg	0.25kg





Jiangxi Liansheng Technology Co.,Ltd  
Address: Room 402, No.1277, No. 95, Fushan Yi Lu, The Economic  
Development Area of Xiaolan, Nanchang, Jiangxi, China  
Tel: +8679188224426 Email: [sales2@opticaltable.cn](mailto:sales2@opticaltable.cn)  
Web: [www.opticaltable.com](http://www.opticaltable.com) Contact: GraceDuan

## 24. Installation Diameter Changeable Mirror Mount LSBJ3-100

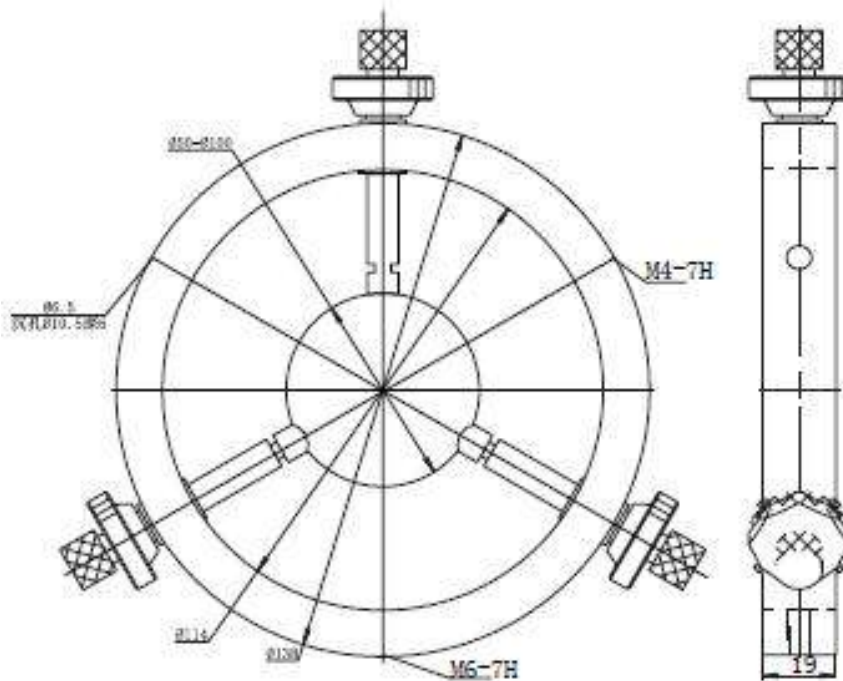
### ● Technical Specs:

- For installation of cylinder mirror optics as well as optics with different thickness.
- Lockable mechanism and V shaped and rotary clamp

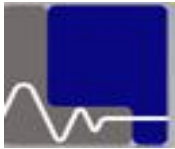
### Technical Specs:



Model	LSBJ3-100
Installation Diameter	50-100mm
Net Weight	0.4kg







Jiangxi Liansheng Technology Co.,Ltd  
 Address: Room 402, No.1277, No. 95, Fushan Yi Lu, The Economic  
 Development Area of Xiaolan, Nanchang, Jiangxi, China  
 Tel: +8679188224426 Email: [sales2@opticaltable.cn](mailto:sales2@opticaltable.cn)  
 Web: [www.opticaltable.com](http://www.opticaltable.com) Contact: GraceDuan

## 25. Installation Diameter Changeable Mirror Mount LSBJ4 Series

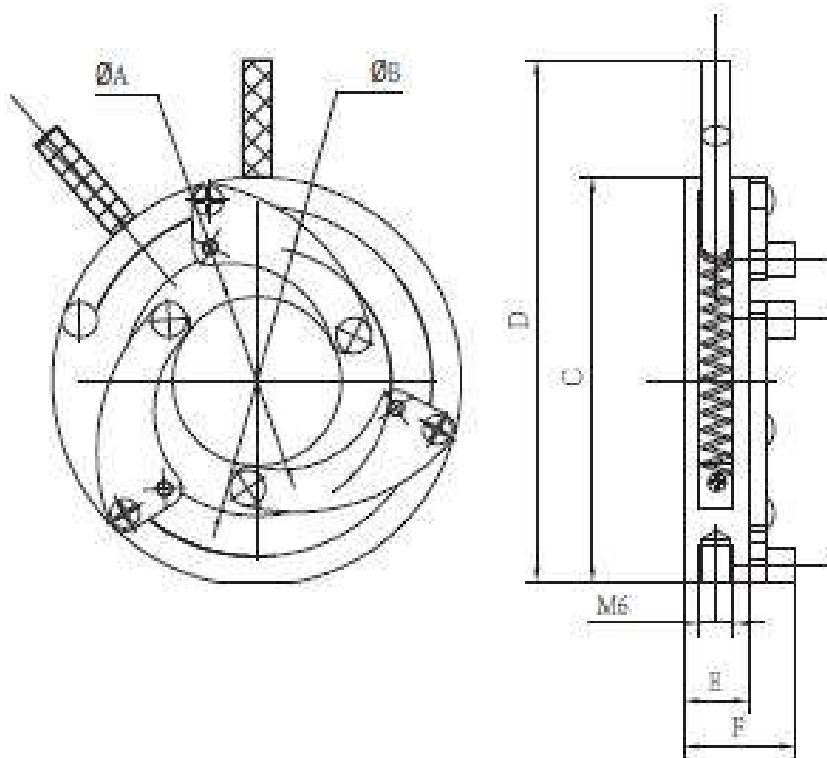
### ● Technical Specs:

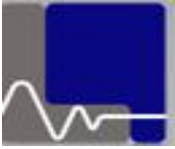
- Three clamps open closes at the same time
- Auto return spring
- For heavy mirrors installations

### Technical Specs:



Model	LSBJ4-50	LSBJ4-76	LSBJ4-102
A	5-50	5-76	5-102
B	46	72	100
C	70	102	140
D	90	126	160
E	11	16	16
F	19	30	30
Net Weight	0.15kg	0.2kg	0.3kg





Jiangxi Liansheng Technology Co.,Ltd  
 Address: Room 402, No.1277, No. 95, Fushan Yi Lu, The Economic  
 Development Area of Xiaolan, Nanchang, Jiangxi, China  
 Tel: +8679188224426 Email: [sales2@opticaltable.cn](mailto:sales2@opticaltable.cn)  
 Web: [www.opticaltable.com](http://www.opticaltable.com) Contact: GraceDuan

## 26. Beam Steering Mount LSZZ1 Series

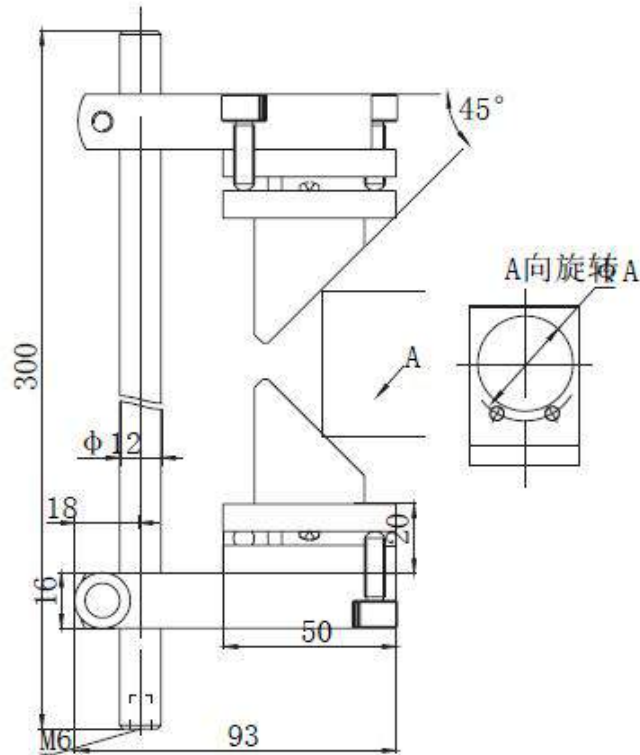
### ● Technical Specs:

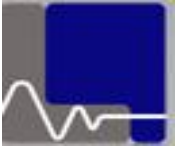
- To change the direction and height of the optical path
- Mounting base with 360° rotation
- M6X0.25 fine thread screw adjustment drive

### Technical Specs:



Model	LSZZ1-20	LSZZ1-25	LSZZ1-30
A (Installation diameter)	20	25	30
Adjustment Height	180		
Tilting Angle	±4°		
Net Weight	0.8kg		





Jiangxi Liansheng Technology Co.,Ltd  
Address: Room 402, No.1277, No. 95, Fushan Yi Lu, The Economic  
Development Area of Xiaolan, Nanchang, Jiangxi, China  
Tel: +8679188224426 Email: [sales2@opticaltable.cn](mailto:sales2@opticaltable.cn)  
Web: [www.opticaltable.com](http://www.opticaltable.com) Contact: GraceDuan

## 27. Beam Steering Mount LSZZ2-25

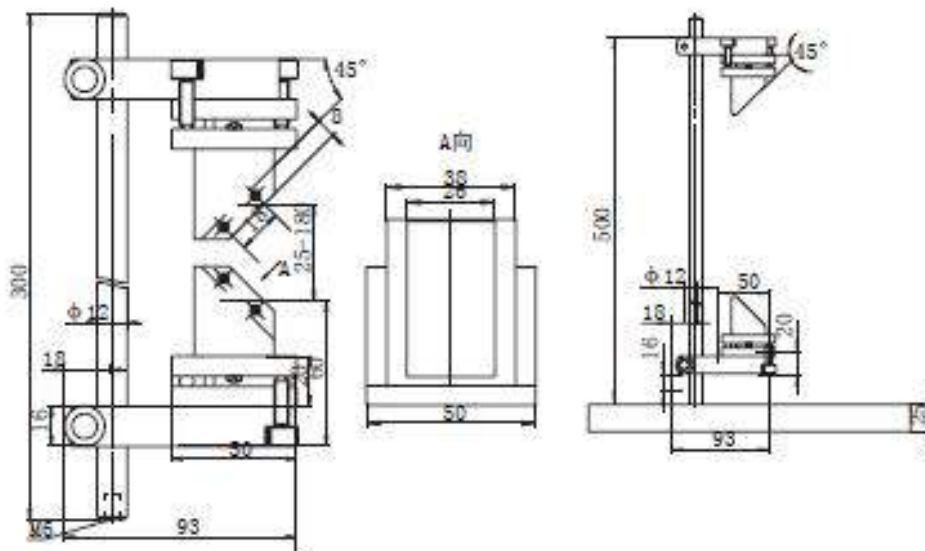
### ● Technical Specs:

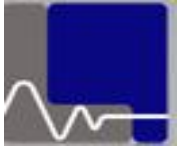
- To change the direction and height of the optical path
- Mounting base with 360° rotation
- M6X0.25 fine thread screw adjustment drive

### Technical Specs:



Model	LSZZ2-25
Adjustment Height	180mm
Tilting Angle	$\pm 4^\circ$
Net Weight	0.8kg





Jiangxi Liansheng Technology Co.,Ltd  
 Address: Room 402, No.1277, No. 95, Fushan Yi Lu, The Economic  
 Development Area of Xiaolan, Nanchang, Jiangxi, China  
 Tel: +8679188224426 Email: [sales2@opticaltable.cn](mailto:sales2@opticaltable.cn)  
 Web: [www.opticaltable.com](http://www.opticaltable.com) Contact: GraceDuan

## 28. Beam Steering Mount LSZZ3 Series

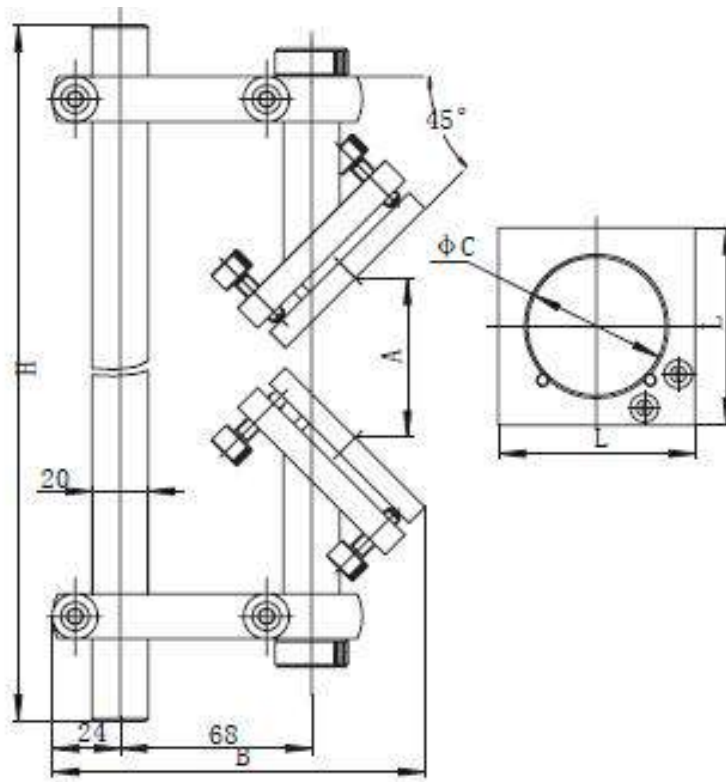
### ● Technical Specs:

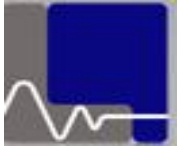
- To change the direction and height of the optical path
- Mounting base with 360° rotation; Disco-shaped spring return.
- M6X0.25 fine thread screw adjustment drive

### Technical Specs:



Model	LSZZ3-50	LSZZ3-60
A	50-180mm	57-180
B	132	137
C	50	60
H	324	334
L	70	80
Adjustment Height	180mm	
Tilting Angle	±4°	
Net Weight	1kg	



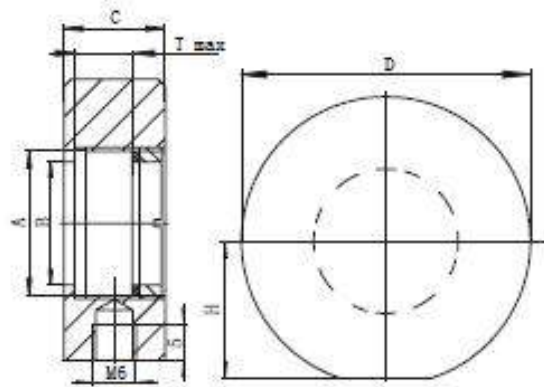


Jiangxi Liansheng Technology Co.,Ltd  
 Address: Room 402, No.1277, No. 95, Fushan Yi Lu, The Economic  
 Development Area of Xiaolan, Nanchang, Jiangxi, China  
 Tel: +8679188224426 Email: [sales2@opticaltable.cn](mailto:sales2@opticaltable.cn)  
 Web: [www.opticaltable.com](http://www.opticaltable.com) Contact: GraceDuan

### 29. Universal Mirror Mount LSPT1 Series

● Technical Specs:

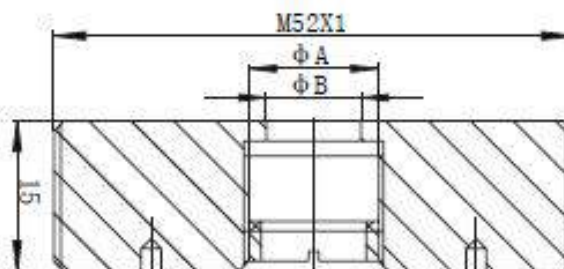
Model	LSPT1-10	LSPT1-20	LSPT1-25.4	LSPT1-30	LSPT1-38	LSPT1-40	LSPT1-50. 8	LSPT1- 76
A	10	20	25.4	30	38	40	50.8	76
B	7	17	21.5	26	34	36	45	71
C	12	14	14	14	18	18	18	22
D	30	40	45	50	60	60	70	100
H	14	19	22	24	29	29	34	49
T	6	8	8	8	12	12	12	16



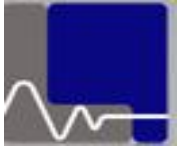
### 30. Universal Mirror Mount LSPT2 Series

● Technical Specs:

Model	LSPT2-13	LSPT2-20	LSPT2-26	LSPT2-30	LSPT2-40
A	12	20	26	30	40
B	9.5	17	22	26	38







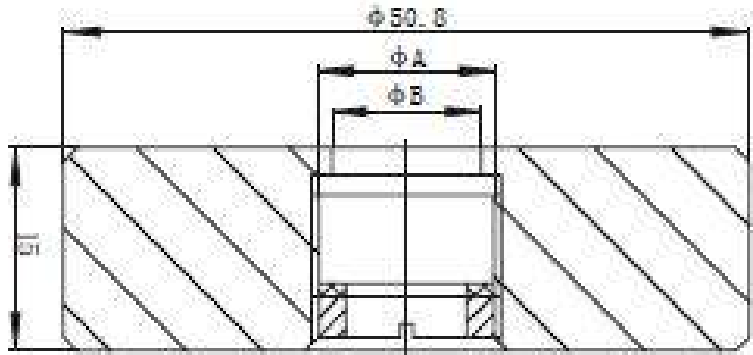
Jiangxi Liansheng Technology Co.,Ltd  
Address: Room 402, No.1277, No. 95, Fushan Yi Lu, The Economic  
Development Area of Xiaolan, Nanchang, Jiangxi, China  
Tel: +8679188224426 Email: [sales2@opticaltable.cn](mailto:sales2@opticaltable.cn)  
Web: [www.opticaltable.com](http://www.opticaltable.com) Contact: GraceDuan

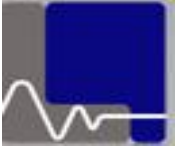
### 31. Universal Mirror Mount LSPT3 Series

---

● Technical Specs:

Model	LSPT3-13	LSPT3-20	LSPT3-26	LSPT3-30	LSPT3-40
A	13	20	26	30	40
B	11	18	23.5	28	38





Jiangxi Liansheng Technology Co.,Ltd  
Address: Room 402, No.1277, No. 95, Fushan Yi Lu, The Economic  
Development Area of Xiaolan, Nanchang, Jiangxi, China  
Tel: +8679188224426 Email: [sales2@opticaltable.cn](mailto:sales2@opticaltable.cn)  
Web: [www.opticaltable.com](http://www.opticaltable.com) Contact: GraceDuan

## 1. He-Ne Laser LSW-10

---

### Technical Specification:

#### Model No. LSW-10

Output power:  $\geq 1.5\text{mw}$

Beam spread Angle: 2mrad

Beam diameter: 1.2mm

Transverse mode: TEM00

Gain (length): 250mm

Wavelength (nm): 632.8nm

Dimension of laser tube: 300\* $\Phi$ 45mm

Dimension of power source: 200\*165\*75mm

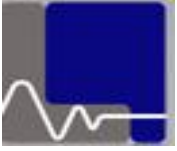
### Product Picture:



He-ne Laser LSW-10



*Note: Laser Holders need to be purchased Separately*



Jiangxi Liansheng Technology Co.,Ltd  
Address: Room 402, No.1277, No. 95, Fushan Yi Lu, The Economic  
Development Area of Xiaolan, Nanchang, Jiangxi, China  
Tel: +8679188224426 Email: [sales2@opticaltable.cn](mailto:sales2@opticaltable.cn)  
Web: [www.opticaltable.com](http://www.opticaltable.com) Contact: GraceDuan

## 2. Precision Laser Mount LSJG1-60

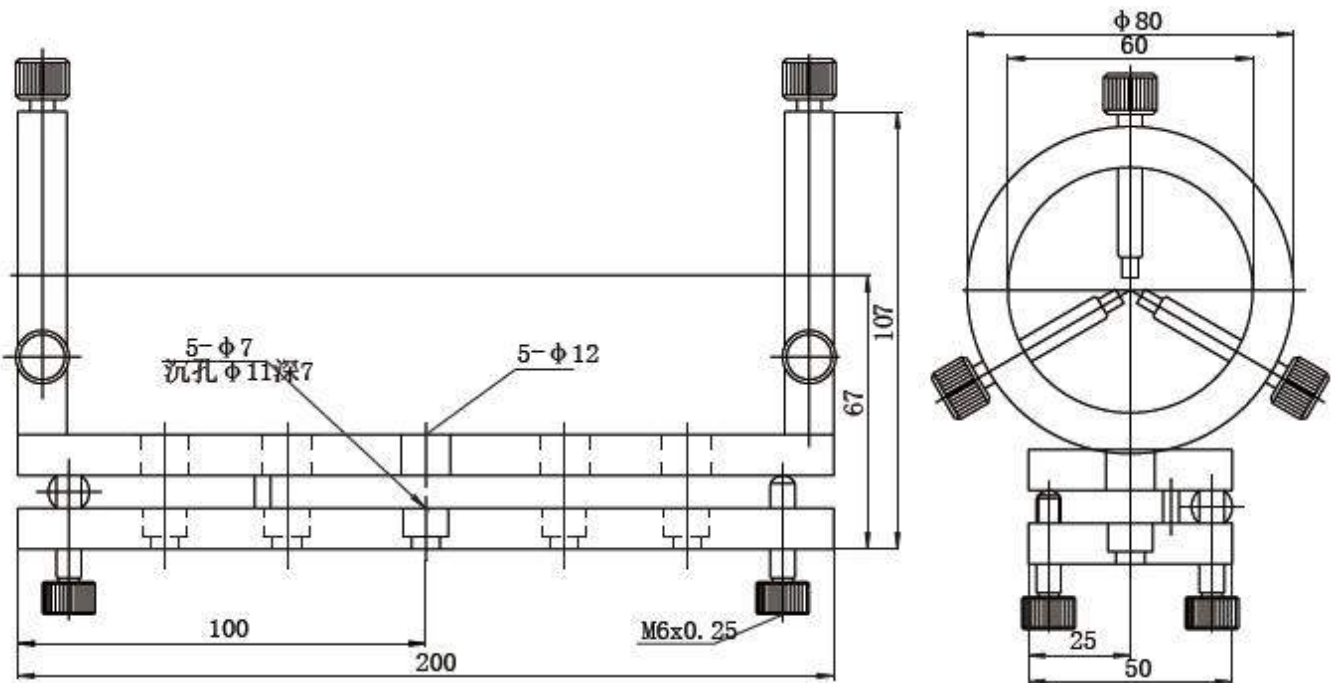
### Laser Mount LSJG1-60

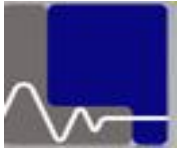
Technical Specs & Product Picture:



Model	LSJG1-60
Installation Diameter	60mm (Max)
Adjustment Range	$\pm 5^\circ$
Net Weight:	0.8kg

Technical Drawings:





Jiangxi Liansheng Technology Co.,Ltd  
Address: Room 402, No.1277, No. 95, Fushan Yi Lu, The Economic  
Development Area of Xiaolan, Nanchang, Jiangxi, China  
Tel: +8679188224426 Email: [sales2@opticaltable.cn](mailto:sales2@opticaltable.cn)  
Web: [www.opticaltable.com](http://www.opticaltable.com) Contact: GraceDuan

### 3. Precision Laser Mount LSJG2-45

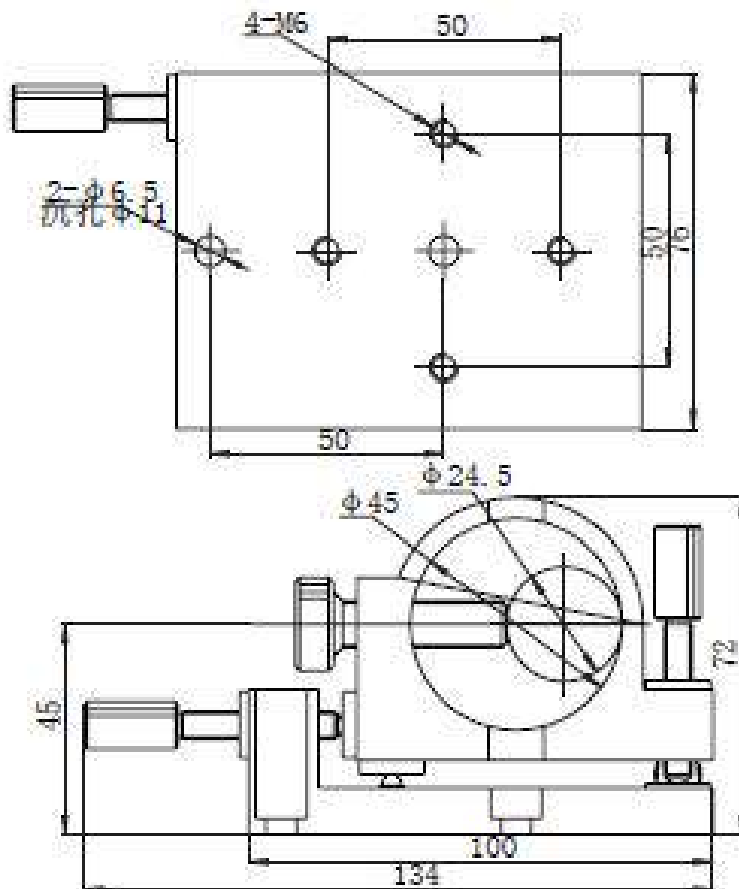
#### Laser Mount LSJG1-60

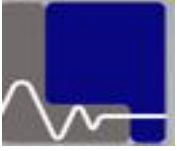
Technical Specs & Product Picture:



Model	LSJG2-45
Installation Diameter	45mm (Max)
Net Weight:	0.4kg

Technical Drawings:





Jiangxi Liansheng Technology Co.,Ltd  
Address: Room 402, No.1277, No. 95, Fushan Yi Lu, The Economic  
Development Area of Xiaolan, Nanchang, Jiangxi, China  
Tel: +8679188224426 Email: [sales2@opticaltable.cn](mailto:sales2@opticaltable.cn)  
Web: [www.opticaltable.com](http://www.opticaltable.com) Contact: GraceDuan

#### 4. Precision Laser Mount LSJG3-45

##### Laser Mount LSJG1-60

##### Technical Specs & Product Picture:



Model	LSJG3-45
Installation Diameter	45mm (Max)
Adjustment Range	$\pm 5^\circ$
Net Weight:	0.65kg

##### Technical Drawings:

