



In-Line Polarizer (GK-ILP Series)

● Description

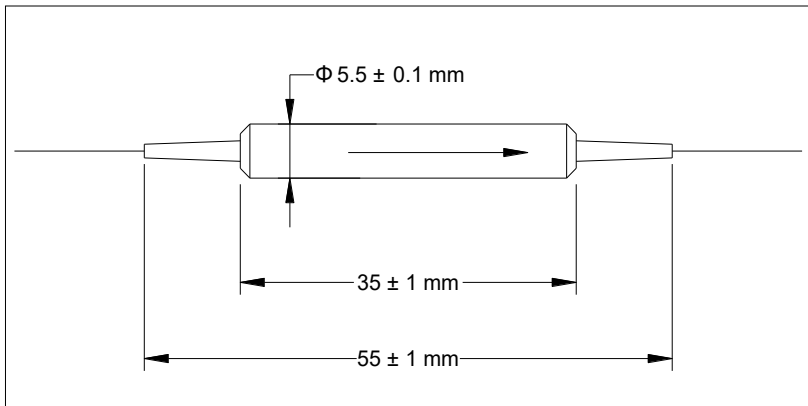
The In-Line Polarizer is designed to pass light with one specific polarization while blocking the other polarization. It can be used to convert unpolarized light into polarized light with high extinction ratio. It can also be used to enhance the extinction ratio of signals with its excellent polarization properties. It is ideal for high speed communication systems and test instrumentations where high polarization extinction ratio is required.

● Specifications

Parameter	Unit	Type A
Center Wavelength (λ_c)	nm	800 1064 1310
Operating Wavelength Range	nm	± 50 ± 50 ± 50
Max. Insertion Loss	dB	1 0.8 0.6
Max. WDL, 23 °C	dB	1 0.5 0.3
Typ. Extinction Ratio, 23 °C	dB	28 30 30
Min. Extinction Ratio, 23 °C	dB	25 27 28
Min. Return Loss	dB	50
Max. Optical Power (Continuous Wave)	mW	300
Max. Tensile Load	N	5
Operating Temperature	°C	- 5 to + 70
Storage Temperature	°C	- 40 to + 85

¹IL is 0.5 dB higher, RL is 5 dB lower and ER is 2 dB lower for each connector.
Connector key is aligned to slow axis.

● Package Dimensions



● Ordering Information

GK-ILP-①-②-③-④-⑤

①: Wavelength

80 - 800 nm

1064 -1064 nm

1310 - 1310 nm

SS - Specify

②: Connector

Type1 - FC/UPC

2 - FC/APC

3 - SC/UPC

4 - SC/APC

N - None

③: Fiber Jacket

B - 250 μm Bare Fiber

L - 900 μm Loose Tube

S - Specify

④: Fiber Type (Input/Output) ⑤: Fiber Length

1 - PM/PM

2 - SMF/PM

3 - SMF/SMF

Q - 0.75 m

S - Specify