

1550nm 80MHz Integrated AOM and Driver Module

Part No.: IAOM-1550-80M-05-S-C3-PM1550-1-1-1-FA

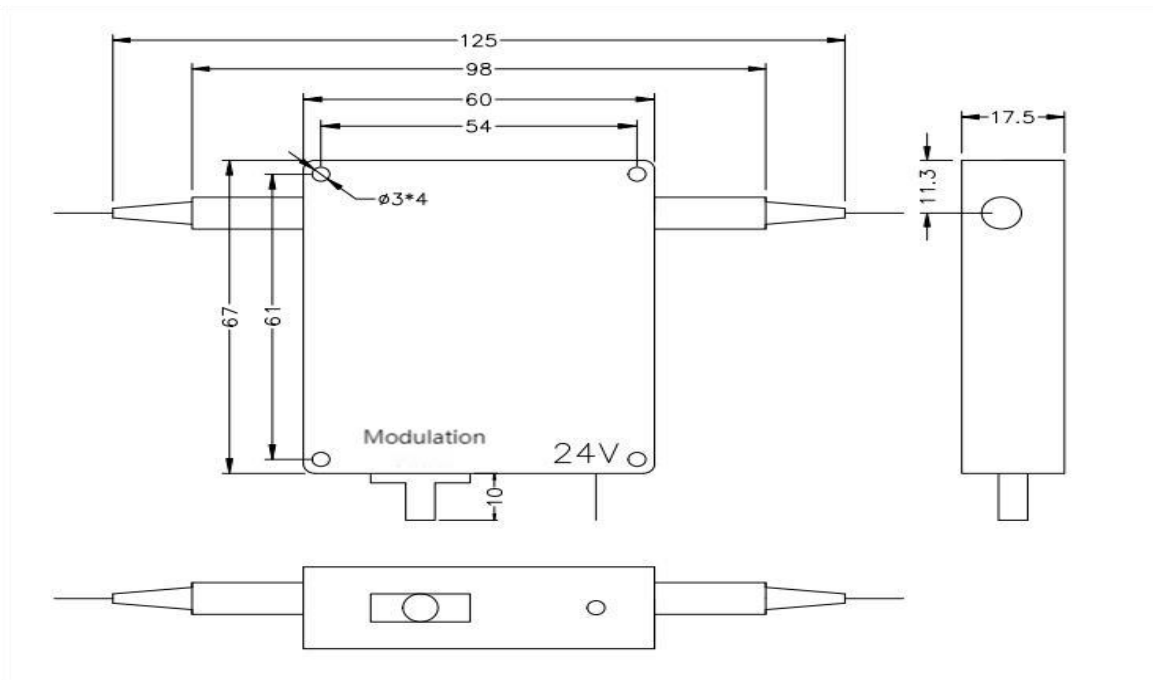
◆ Specification

Parameter	Unit	Min.	Max.	Typical
Interaction Material				Tellurium dioxide
Signal Wavelength (λ_c)	nm	1520	1580	1550
Average Optical Power	W		0.5	
Ultrasonic Velocity	m/s			4200
Insertion Loss	dB		2.5	
Polarization Extinction Ratio	dB	18		
Extinction Ratio	dB	50		
Return Loss	dB	40		
Rise-Time/Fall-Time	ns		30	
Frequency	MHz			80
Frequency stability	ppm			± 30
RF Power	W			1.8
Voltage Standing Wave Ratio (VSWR)	/		1.2:1	
Input impedance	Ω			50
Interface				SMA
Fiber Type	/			PM1550
Fiber Length	m			1 ± 0.1
Fiber Connector	/			FC/APC
Operating Temperature	$^{\circ}\text{C}$			-20 ~ +60
Storage Temperature	$^{\circ}\text{C}$			-30 ~ +70

◆ RF Driver Parameter

Modulation Mode	TTL
Operating Voltage(V)	+24VDC@280mA

◆ Package Dimensions



◆ Ordering Information

IAOM-①-②-③-④-⑤-⑥-⑦-⑧-⑨-⑩

1-Signal Wavelength	2-Frequency	3-Handling Power	4-Function	5-Package Dimension
780-780nm	200M-200MHz	05-500mW	S-Frequency Shifting	C3-67*60*17.5
1550-1550nm	100M-100 MHz	10-1W	A-Amplitude Modulation	
1310-1310nm	80M-80MHz	50-5W		
6-Fiber Type	7-Fiber Length	8-Fiber Jacket	9-Jacket Length	10-Connector
PM980-PM980	1-1M	0-Bare Fiber	1-1M	FU-FC/PC
PM1550-PM1550	1.5-1.5M	1-900 μ m Loose Tube	S-Specify	FA-FC/APC
SMF28e- SMF28e				S-specify