

Jiangxi Liansheng Technology Co., Ltd

Address: No 1015, Jinsha Third Road, Xiaolan Economic Development Zone, Nanchang, Jiangxi Province, PRC

Tel: +86 791 8671 3680 Email: peterwei@jxlskj.cn

Website: www.jxlszb.com Contact: Peter Wei

1. Motorized Linear translation Stage LSDP-JS Series

Motorized Linear translation Stage

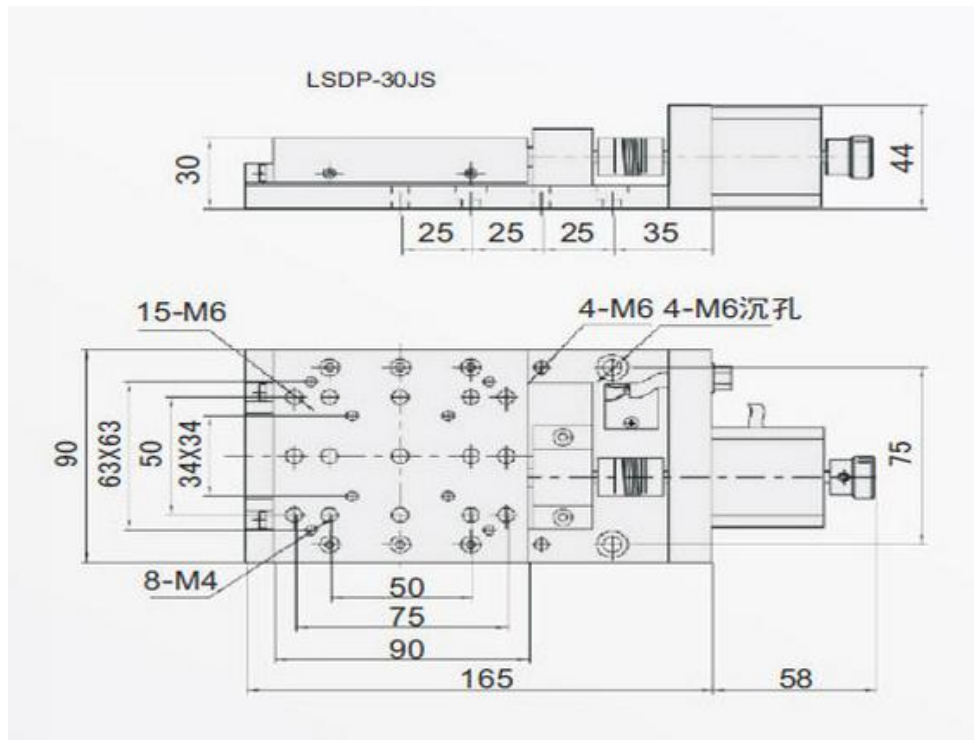
LSDP-JS Series

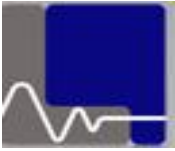
Model: LSDP-30JS LSDP-50JS & LSDP-100JS

Technical Specification:

Product Model	LSDP-30JS	LSDP-50JS	LSDP-100JS
Travel range	30mm	50mm	100mm
Platform Dimension	90X90mm	90X110mm	90X185mm
Resolution	0.000625mm		
Repeating Accuracy:	Less than 0.005mm		
Motor	42 Stepper Motor(1.8°)		
Guide Rail	Crossed Roller and V Shaped Guide rails		
Max Torque	0.4N.M		
Working Currency	1.7A		
Net Weight	1.25kg	1.4kg	1.8kg
Load Capacity	5kg	10kg	20kg

Technical Drawings:



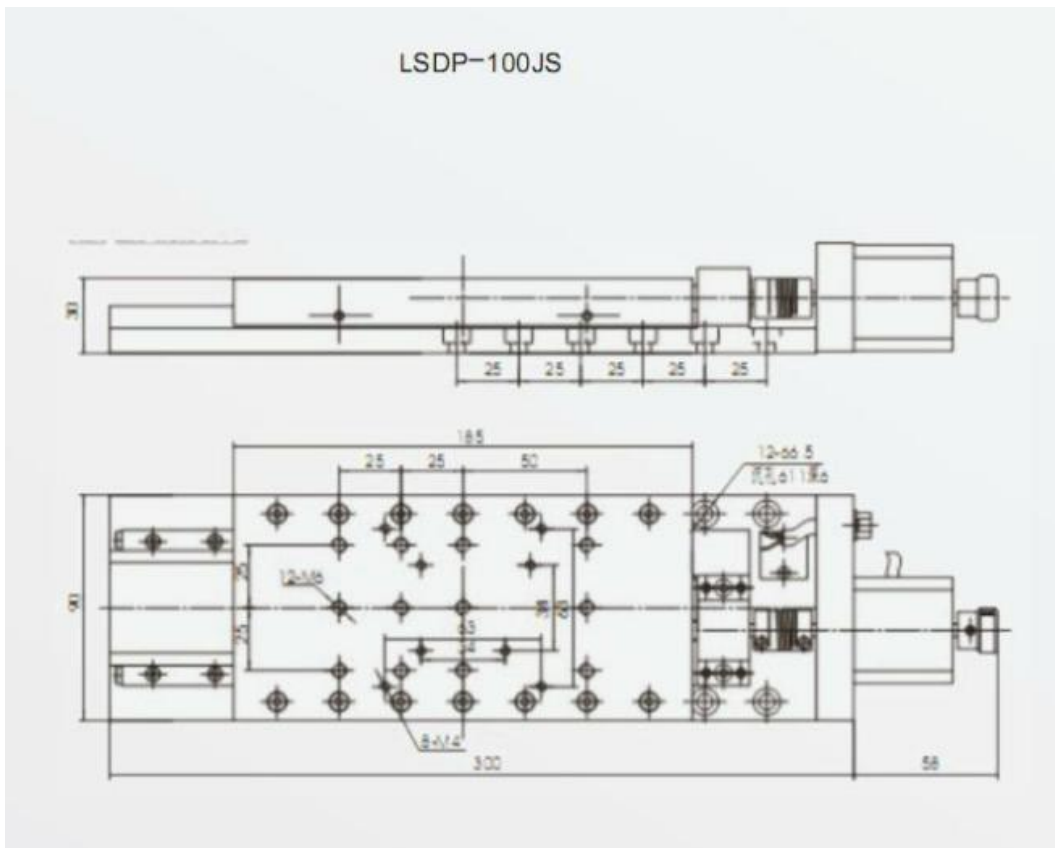
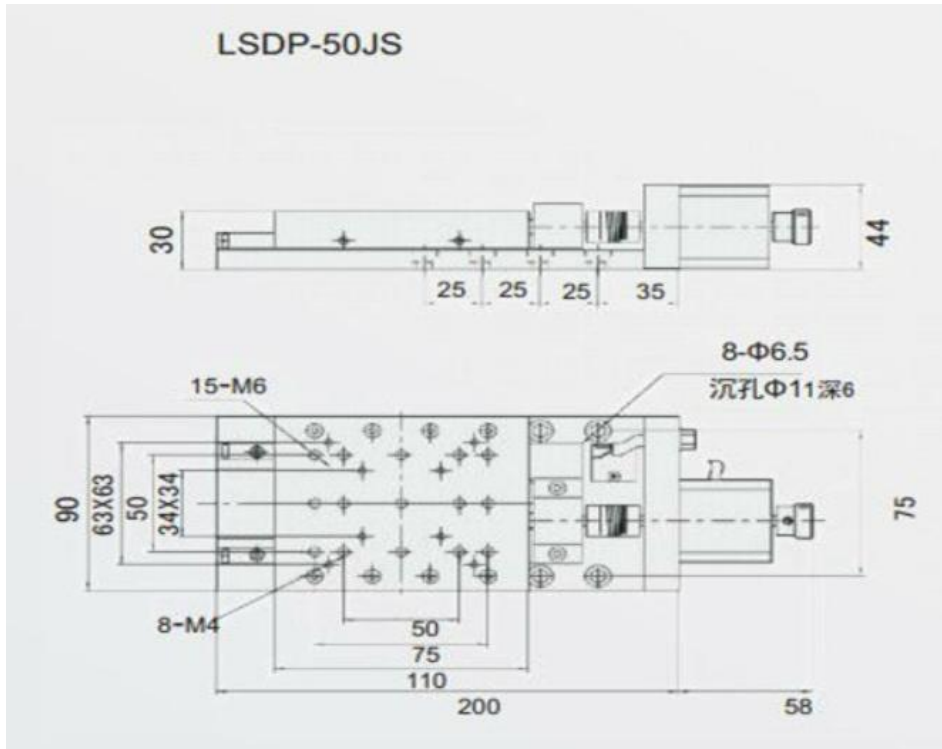


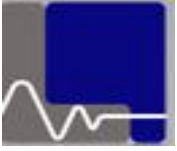
Jiangxi Liansheng Technology Co., Ltd

Address: No 1015, Jinsha Third Road, Xiaolan Economic Development Zone,
Nanchang, Jiangxi Province, PRC

Tel: +86 791 8671 3680 Email: peterwei@jxlskj.cn

Website: www.jxlszb.com Contact: Peter Wei





Jiangxi Liansheng Technology Co., Ltd

Address: No 1015, Jinsha Third Road, Xiaolan Economic Development Zone,
Nanchang, Jiangxi Province, PRC

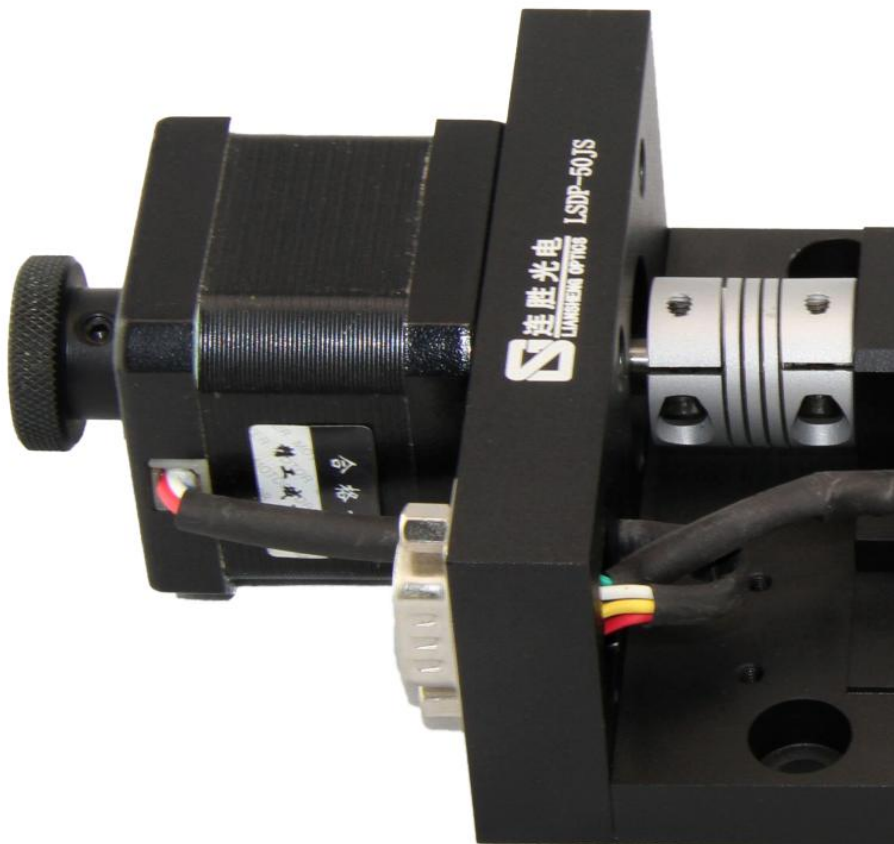
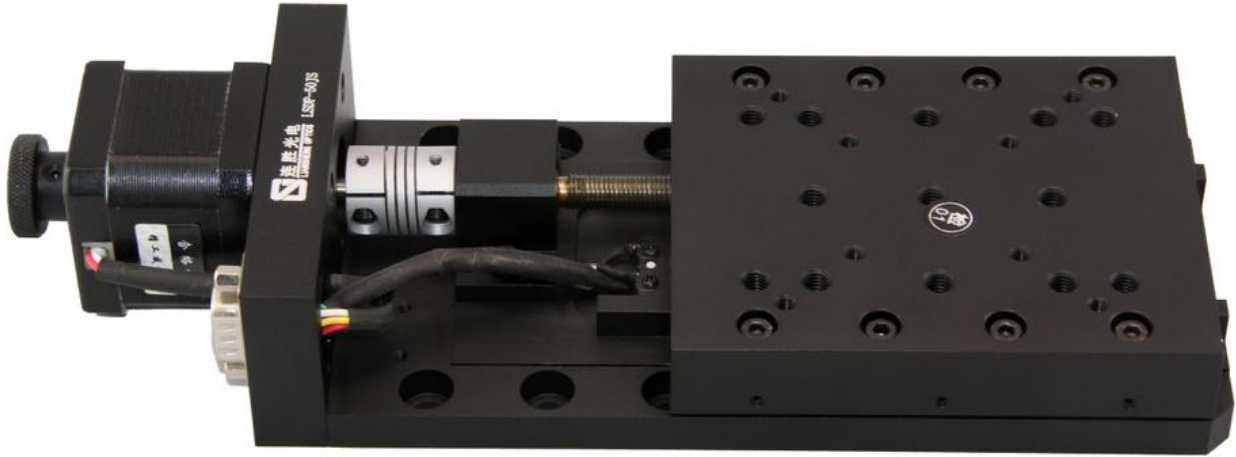
Tel: +86 791 8671 3680

Email: peterwei@jxlskj.cn

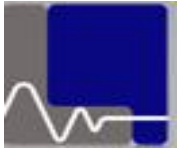
Website: www.jxlszb.com

Contact: Peter Wei

Product Picture:



LSDP-JS Series



Jiangxi Liansheng Technology Co., Ltd

Address: No 1015, Jinsha Third Road, Xiaolan Economic Development Zone,
Nanchang, Jiangxi Province, PRC

Tel: +86 791 8671 3680 Email: peterwei@jxlskj.cn

Website: www.jxlszb.com Contact: Peter Wei

2 . Motorized Linear translation Stage LSDP-FG Series

Motorized Linear Translation Stage LSDP-FG Series

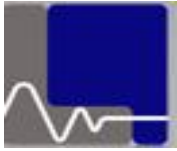
Product Features:

- 47 and 57 prototype stepper motor with standard S232 connection.
- Ball screw adopts the latest bearing structure with locking mechanism, high resetting accuracy and precision performance with long using life.
- Fine linear sliding block guiding rails integrated with the bottom plate, with comfortable translation movement.
- The stepper motor is connected with the ball screw via top quality and high elastic coupling to realize synchronize without noise.
- Position limiting switches installed in both ends of the screw for better positioning and equipment protection.
- The stepper motor can be replaced by servo motor as an option to gain higher speed.
- Standard thread holes and through-holes for easy mounting.

Technical Specification (As per specific models)

LSDP-FG Short Travel Range:

Model	LSDP-50FG	LSDP-100FG	LSDP-150FG	LSDP-200FG	LSDP-250FG
Travel Range	50mm	100mm	150mm	200mm	250mm
Net Weight	3kg	3.5kg	4kg	4.8kg	5.3kg
Resolution	0.0025mm				
Max Speed	40mm/Sec				
Resetting Accuracy	< 0.005mm				
Axial Spacing	< 0.03mm				
Standard Motor	42 Stepper Motor(1.8°)				
Max Torque	0.4N.M				
Operating Current	1.7A				
Loading Capacity	30kg				
Platform Size	160X160mm				



Jiangxi Liansheng Technology Co., Ltd

Address: No 1015, Jinsha Third Road, Xiaolan Economic Development Zone,
Nanchang, Jiangxi Province, PRC

Tel: +86 791 8671 3680 Email: peterwei@jxlskj.cn

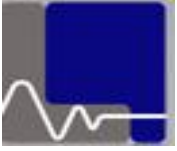
Website: www.jxlszb.com Contact: Peter Wei

LSDP-FG Medium Travel Range:

Model	LSDP-300FG	LSDP-350FG	LSDP-400FG	LSDP-450FG
Travel Range	300mm	350mm	400mm	450mm
Net Weight	5.75kg	7kg	8kg	8.5kg
Resolution	0.0025mm			
Max Speed	40mm/Sec			
Resetting Accuracy	< 0.005mm			
Axial Spacing	< 0.03mm			
Standard Motor	42 Stepper Motor(1.8°)			
Max Torque	0.4N.M			
Operating Current	1.7A			
Loading Capacity	30kg			
Platform Size	160X160mm			

LSDP-FG Long Travel Range:

Model	LSDP-500FG	LSDP-600FG	LSDP-700FG	LSDP-800FG	LSDP-900FG	LSDP-1000FG	LSDP-1200FG
Travel Range	500mm	600mm	700mm	800mm	900mm	1000mm	1200mm
Net Weight	9kg	10kg	11kg	12kg	13kg	15kg	17kg
Resolution	0.003125mm						
Max Speed	40mm/Sec						
Resetting Accuracy	< 0.005mm						
Axial Spacing	< 0.03mm						
Standard Motor	57 Stepper Motor(1.8°)						
Max Torque	1.2N.M						
Operating Current	2.8A						
Loading Capacity	50kg						
Platform Size	160X160mm						



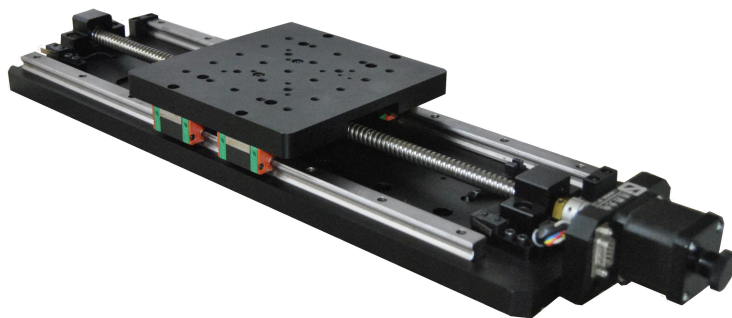
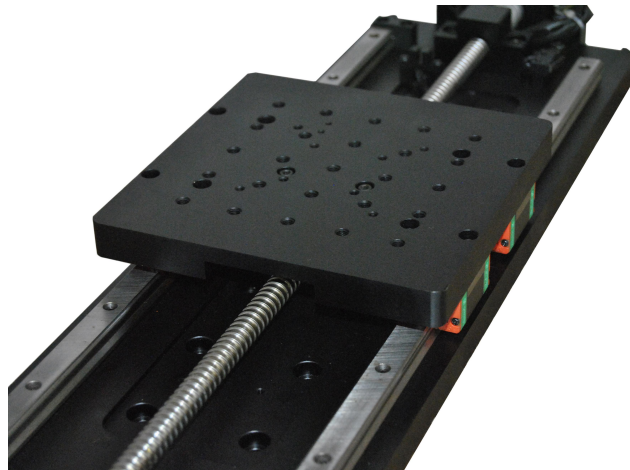
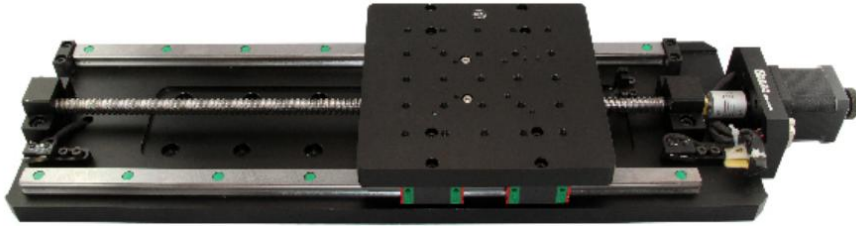
Jiangxi Liansheng Technology Co., Ltd

Address: No 1015, Jinsha Third Road, Xiaolan Economic Development Zone,
Nanchang, Jiangxi Province, PRC

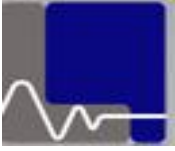
Tel: +86 791 8671 3680 Email: peterwei@jxlskj.cn

Website: www.jxlszb.com Contact: Peter Wei

Product Picture:



LSDP-FG Series



Jiangxi Liansheng Technology Co., Ltd

Address: No 1015, Jinsha Third Road, Xiaolan Economic Development Zone,
Nanchang, Jiangxi Province, PRC

Tel: +86 791 8671 3680 Email: peterwei@jxlskj.cn

Website: www.jxlszb.com Contact: Peter Wei

3. Motorized XY Positioning Stage LSDP- JG Series

Motorized XY Positioning Stage LSDP- JG Series

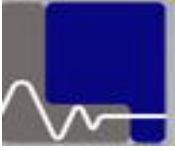
Technical Specification:

Product Model	LSDP-50-JG-2	LSDP-100-JG-2	LSDP-170-JG-2
Travel range	50mm in X & Y Axis	100mm in X&Y Axis	170mm in X&Y Axis
Platform Dimension	150X150mm	300X300mm	300X300mm
Resolution	0.625μm	2.5μm	2.5μm
Repeating Accuracy:	Less than 10μm	Less than 10μm	Less than 10μm
Motor	28BYGH(1.8°)	42BYGH(1.8°)	42BYGH(1.8°)
Guide Rail	Crossed Roller and V Shaped Guide rails		
Max Torque	0.1N.M	0.4N.M	
Working Currency	0.35A	1.7A	
Net Weight	3.2kg	8.3kg	10.03kg
Load Capacity	10kg	50kg	60kg

Technical Drawings & Product Picture as per model:

LSDP-50-JG-2



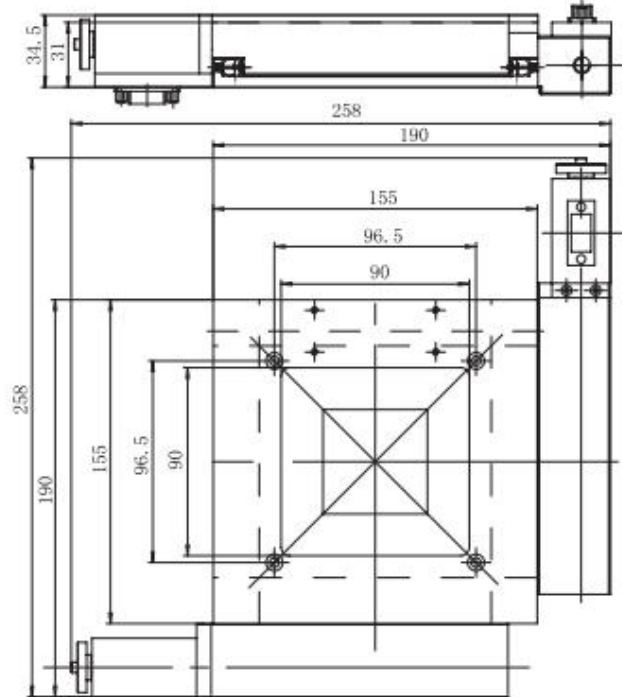


Jiangxi Liansheng Technology Co., Ltd

Address: No 1015, Jinsha Third Road, Xiaolan Economic Development Zone,
Nanchang, Jiangxi Province, PRC

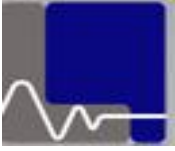
Tel: +86 791 8671 3680 Email: peterwei@jxlskj.cn

Website: www.jxlszb.com Contact: Peter Wei



LSDP-100-JG-2:



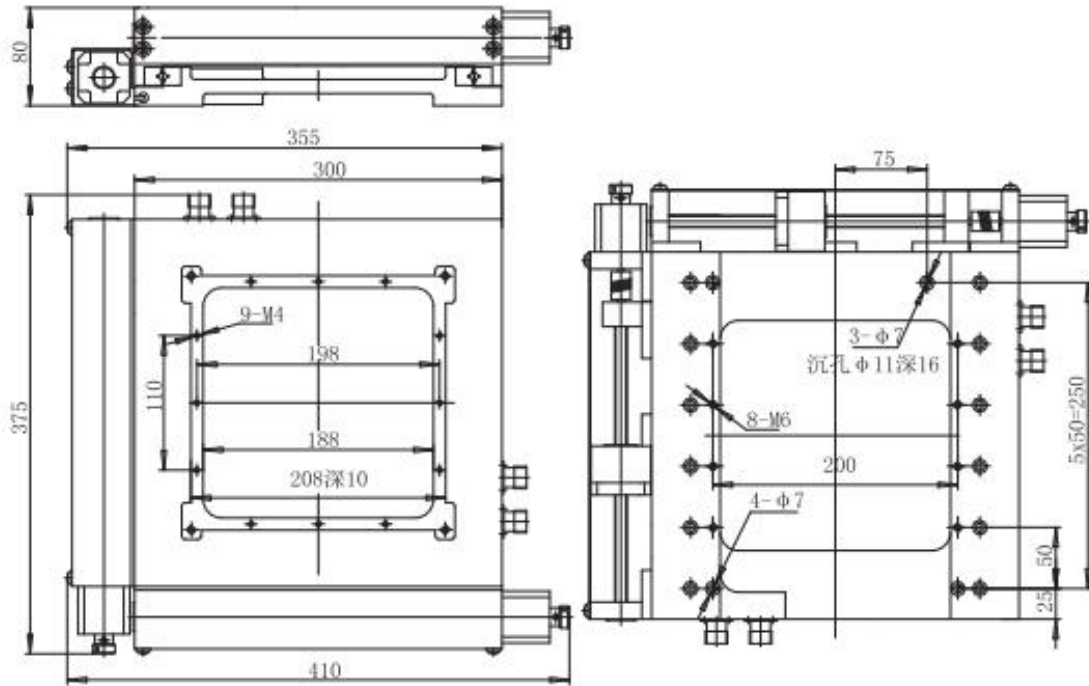


Jiangxi Liansheng Technology Co., Ltd

Address: No 1015, Jinsha Third Road, Xiaolan Economic Development Zone,
Nanchang, Jiangxi Province, PRC

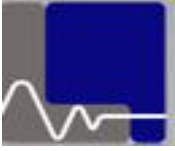
Tel: +86 791 8671 3680 Email: peterwei@jxlskj.cn

Website: www.jxlszb.com Contact: Peter Wei



LSDP-170-JG-2





Jiangxi Liansheng Technology Co., Ltd

Address: No 1015, Jinsha Third Road, Xiaolan Economic Development Zone,
Nanchang, Jiangxi Province, PRC

Tel: +86 791 8671 3680 Email: peterwei@jxlskj.cn

Website: www.jxlszb.com Contact: Peter Wei

