

Jiangxi Liansheng Technology Co., Ltd

Address: No 1015, Jinsha Third Road, Xiaolan Economic Development Zone,
Nanchang, Jiangxi Province, PRC

Tel: +86 0791-88224426 Email: sales2@opticaltable.com

Website: www.jxlszb.com Contact: Grace Duan

1. Optical Mounting Bases LSGB1-4

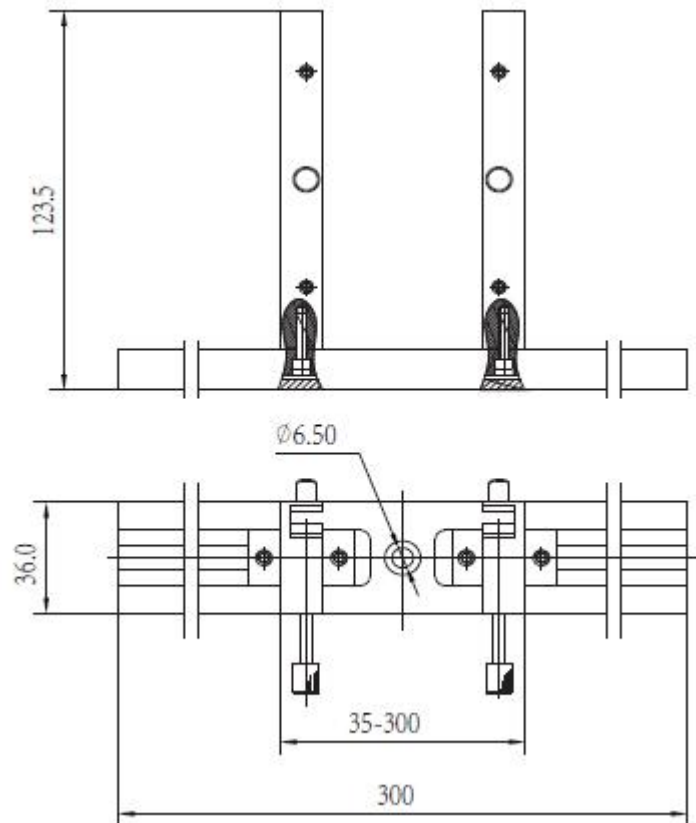
Mounting Bases LSGB1-4

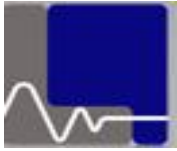
Technical Specs & Product Picture:



Model	LSGB1-4
Installation Thickness	4mm
Installation Width	35-300mm
Net Weight:	0.55kg

Technical Drawings:





Jiangxi Liansheng Technology Co., Ltd

Address: No 1015, Jinsha Third Road, Xiaolan Economic Development Zone,
Nanchang, Jiangxi Province, PRC

Tel: +86 0791-88224426

Email: sales2@opticaltable.com

Website: www.jxlszb.com

Contact: Grace Duan

2. Optical Mounting Bases LSGB2 Series

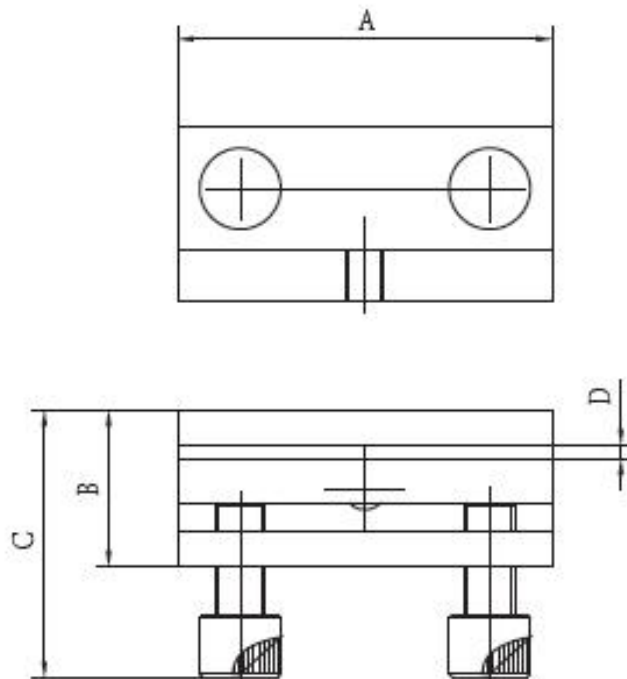
Mounting Bases LSGB2 series

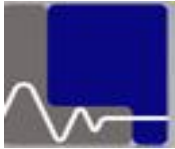
Technical Specs & Product Picture:



Model	LSGB2-7	LSGB2-16
A	60	90
B	25	26
C	55	65.5
D (Installation Thickness Max.)	7	16
Net Weight:	0.1kg	0.15kg

Technical Drawings:





Jiangxi Liansheng Technology Co., Ltd

Address: No 1015, Jinsha Third Road, Xiaolan Economic Development Zone,
Nanchang, Jiangxi Province, PRC

Tel: +86 0791-88224426 Email: sales2@opticaltable.com

Website: www.jxlszb.com Contact: Grace Duan

3. Optical Mounting Bases LSGB3-10

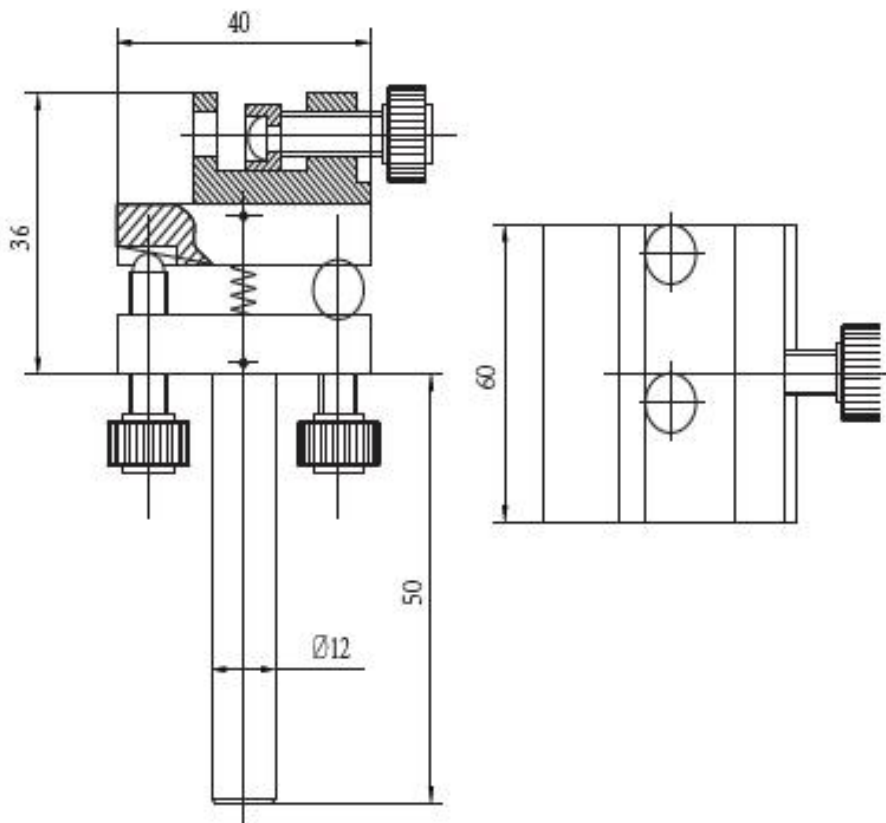
Mounting Bases LSGB3-10

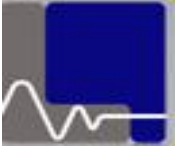
Technical Specs & Product Picture:



Model	LSGB3-10
Installation Thickness Range	0-10
Installation Width	0-60
Net Weight:	0.25kg

Technical Drawings:





Jiangxi Liansheng Technology Co., Ltd

Address: No 1015, Jinsha Third Road, Xiaolan Economic Development Zone,
Nanchang, Jiangxi Province, PRC
Tel: +86 0791-88224426 Email: sales2@opticaltable.com
Website: www.jxlszb.com Contact: Grace Duan

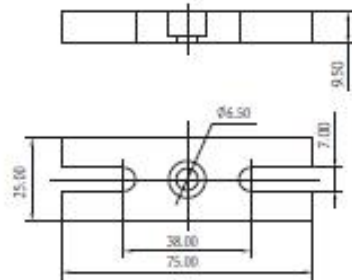
4. Mounting Base clamps LSDB Series

Product Features:

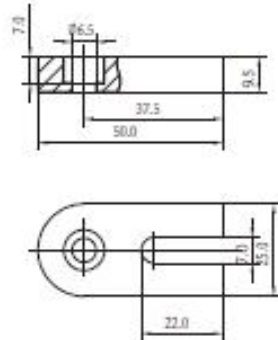
- For mounting of all kinds of mirror mounts, optical post/post holders as well as mounting interface of optics and optical breadboards with standard mounting holes
- All aluminum material with black anodized surface treatment

Technical Specs per Model:

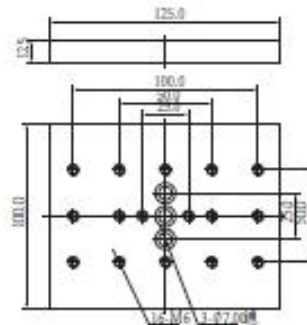
LSDB1



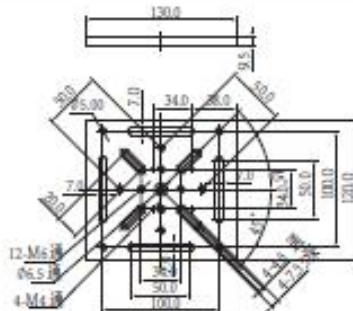
LSDB2

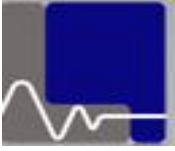


LSDB3



LSDB4





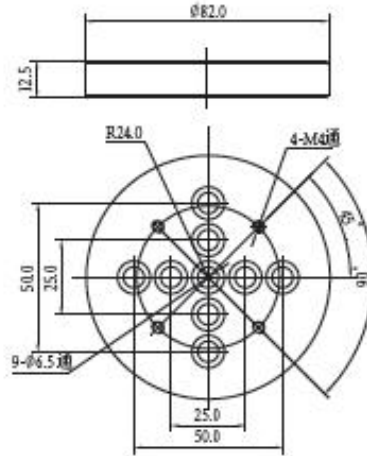
Jiangxi Liansheng Technology Co., Ltd

Address: No 1015, Jinsha Third Road, Xiaolan Economic Development Zone, Nanchang, Jiangxi Province, PRC

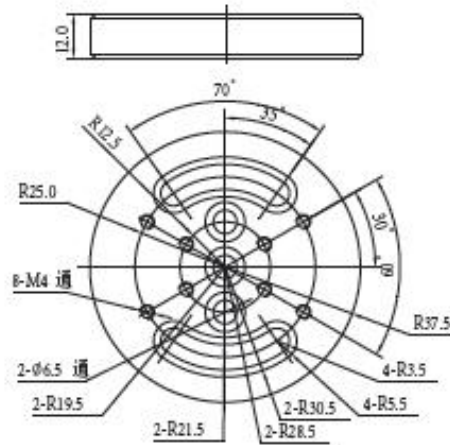
Tel: +86 0791-88224426 Email: sales2@opticaltable.com

Website: www.jxlszb.com Contact: Grace Duan

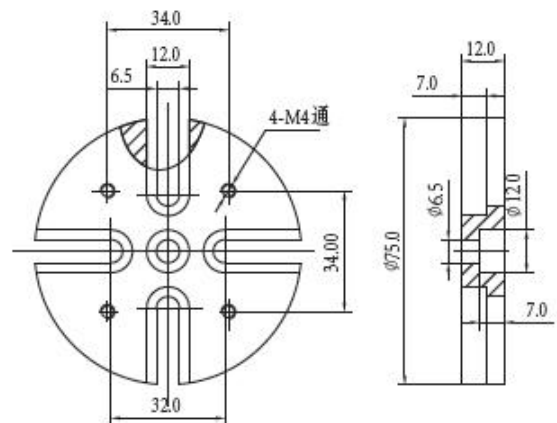
LSDB5

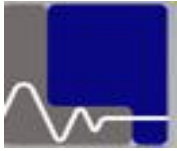


LSDB6



LSDB7





Jiangxi Liansheng Technology Co., Ltd

Address: No 1015, Jinsha Third Road, Xiaolan Economic Development Zone,
Nanchang, Jiangxi Province, PRC

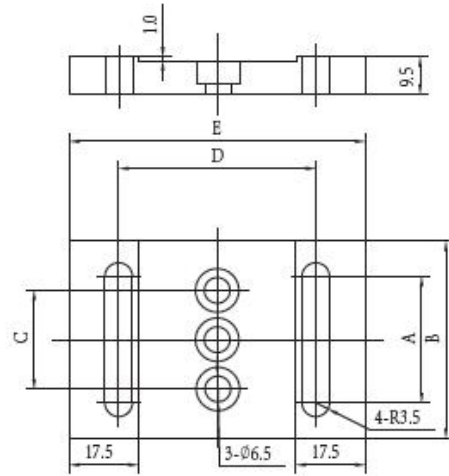
Tel: +86 0791-88224426

Email: sales2@opticaltable.com

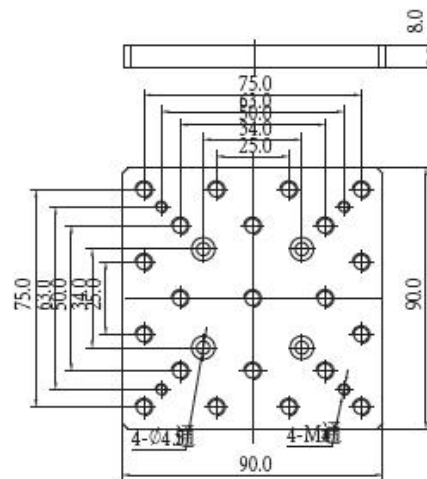
Website: www.jxlszb.com

Contact: Grace Duan

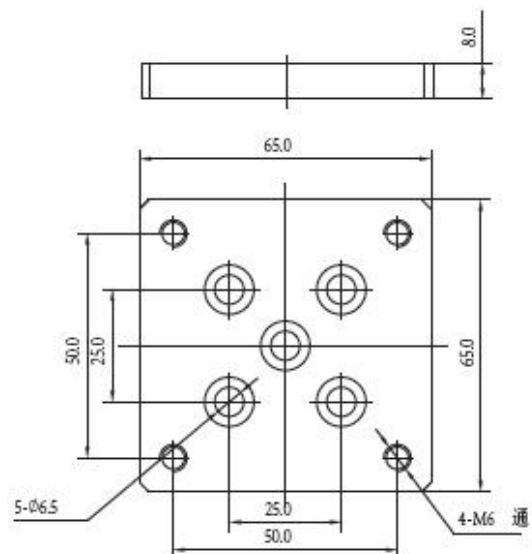
LSDB8-10

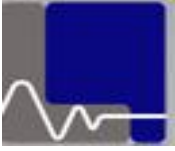


LSDB11



LSDB12





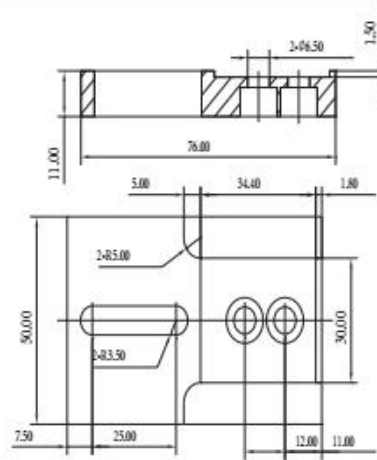
Jiangxi Liansheng Technology Co., Ltd

Address: No 1015, Jinsha Third Road, Xiaolan Economic Development Zone,
Nanchang, Jiangxi Province, PRC

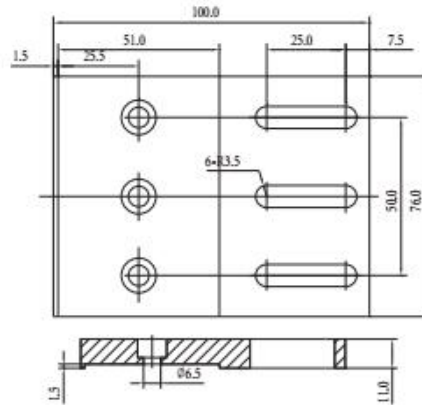
Tel: +86 0791-88224426 Email: sales2@opticaltable.com

Website: www.jxlszb.com Contact: Grace Duan

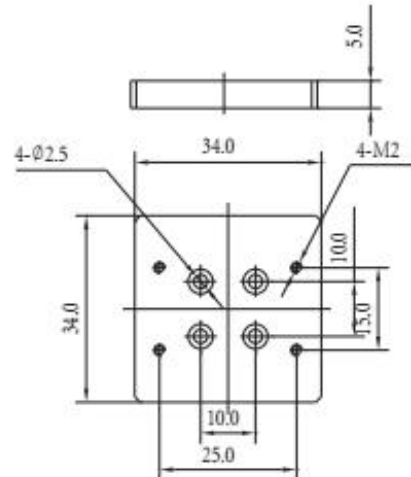
LSDB13

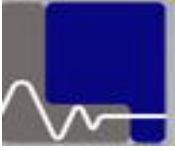


LSDB14



LSDB15





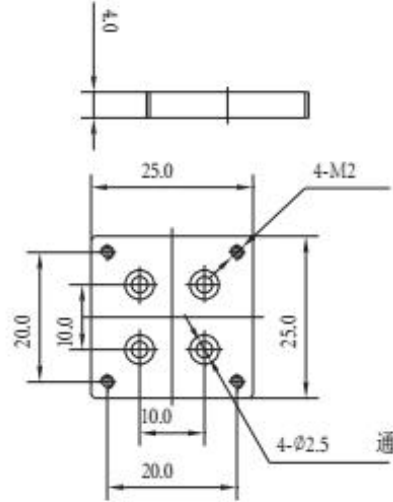
Jiangxi Liansheng Technology Co., Ltd

Address: No 1015, Jinsha Third Road, Xiaolan Economic Development Zone,
Nanchang, Jiangxi Province, PRC

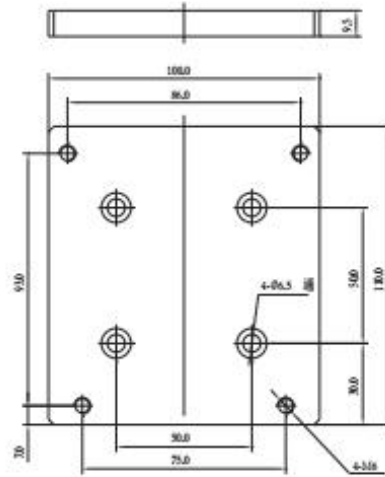
Tel: +86 0791-88224426 Email: sales2@opticaltable.com

Website: www.jxlszb.com Contact: Grace Duan

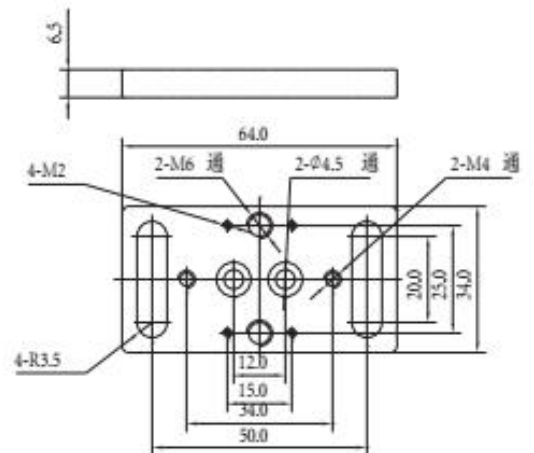
LSDB16

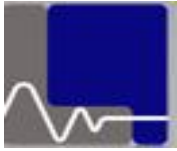


LSDB17



LSDB18





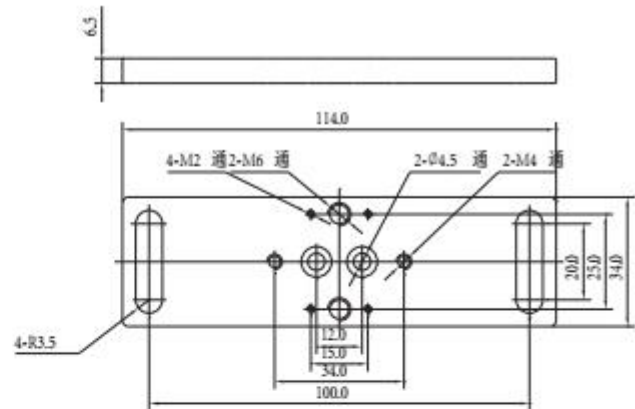
Jiangxi Liansheng Technology Co., Ltd

Address: No 1015, Jinsha Third Road, Xiaolan Economic Development Zone,
Nanchang, Jiangxi Province, PRC

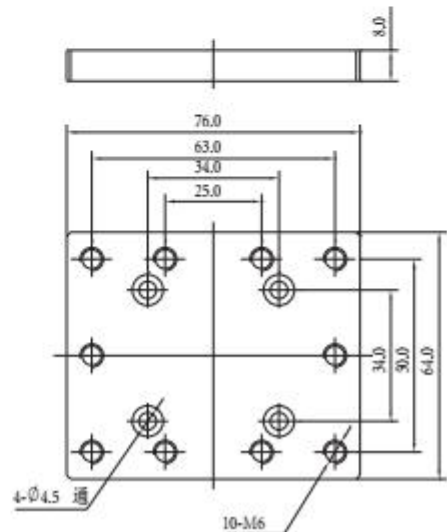
Tel: +86 0791-88224426 Email: sales2@opticaltable.com

Website: www.jxlszb.com Contact: Grace Duan

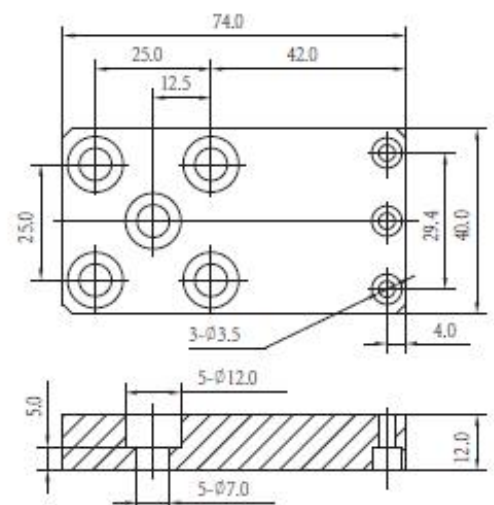
LSDB18A

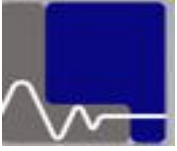


LSDB19



LSDB20





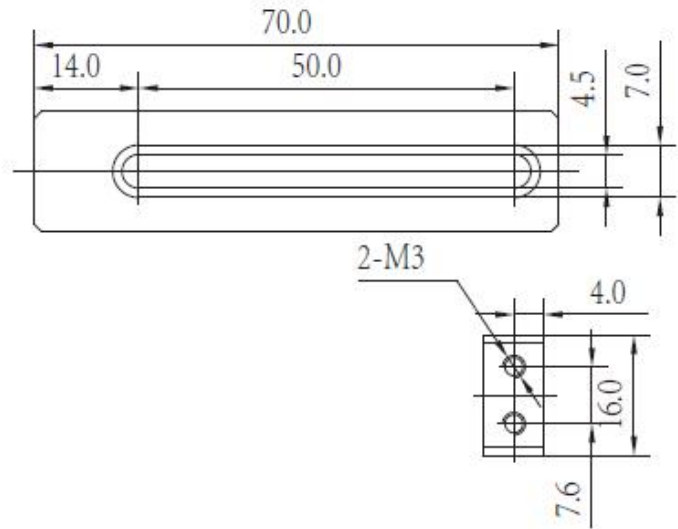
Jiangxi Liansheng Technology Co., Ltd

Address: No 1015, Jinsha Third Road, Xiaolan Economic Development Zone,
Nanchang, Jiangxi Province, PRC

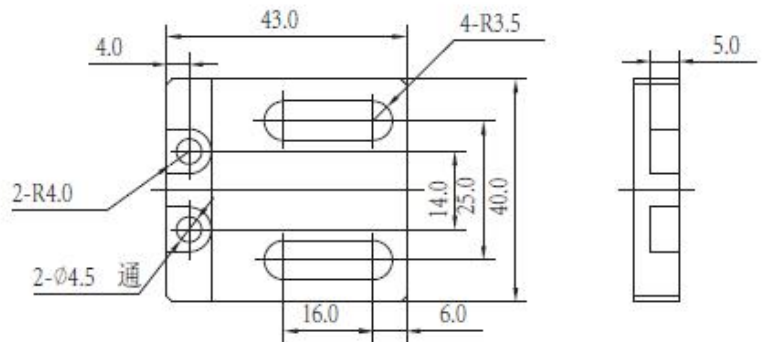
Tel: +86 0791-88224426 Email: sales2@opticaltable.com

Website: www.jxlszb.com Contact: Grace Duan

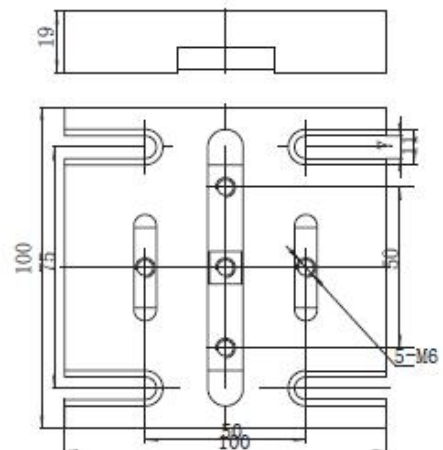
LSDB21

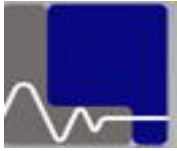


LSDB22



LSDB23





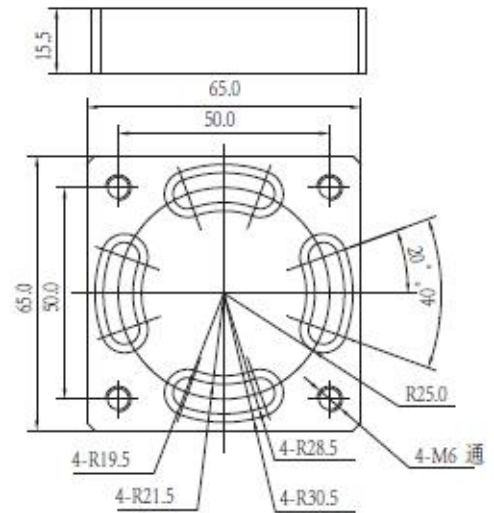
Jiangxi Liansheng Technology Co., Ltd

Address: No 1015, Jinsha Third Road, Xiaolan Economic Development Zone,
Nanchang, Jiangxi Province, PRC

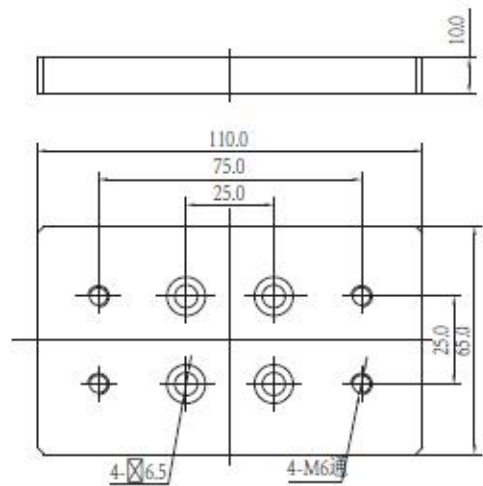
Tel: +86 0791-88224426 Email: sales2@opticaltable.com

Website: www.jxlszb.com Contact: Grace Duan

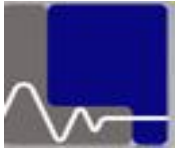
LSDB24



LSDB25



Notes: Special dimension of mounting base clamps can be customized upon request!



Jiangxi Liansheng Technology Co., Ltd

Address: No 1015, Jinsha Third Road, Xiaolan Economic Development Zone,
Nanchang, Jiangxi Province, PRC

Tel: +86 0791-88224426 Email: sales2@opticaltable.com

Website: www.jxlszb.com Contact: Grace Duan

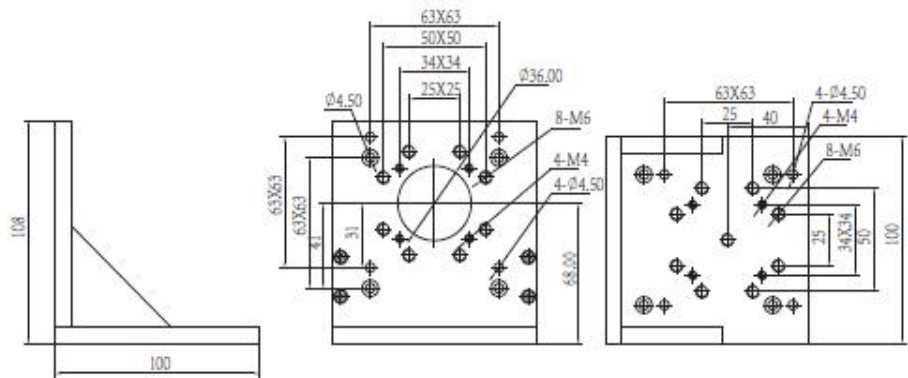
4. Right Angle Mounting Plate/Adapters LSZJ Series

Product Features:

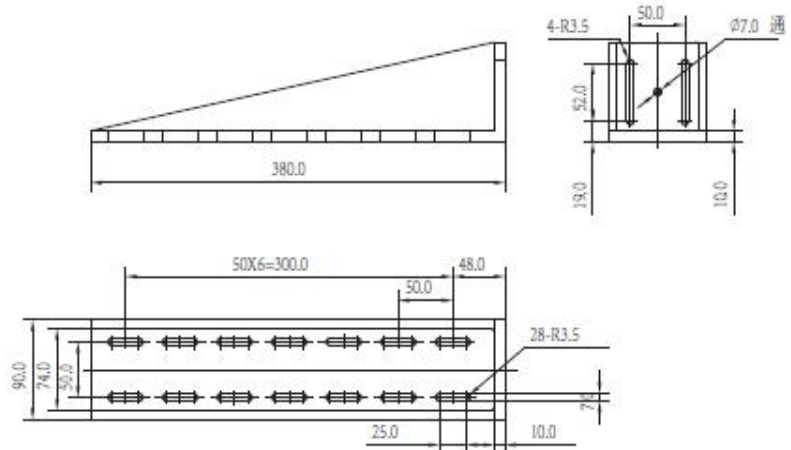
- For assembly one single axis positioning stages to XY, XYZ and other multiple -Axis stages
- All aluminum material with black anodized surface treatment, with standard mounting holes

Technical Specs per Model:

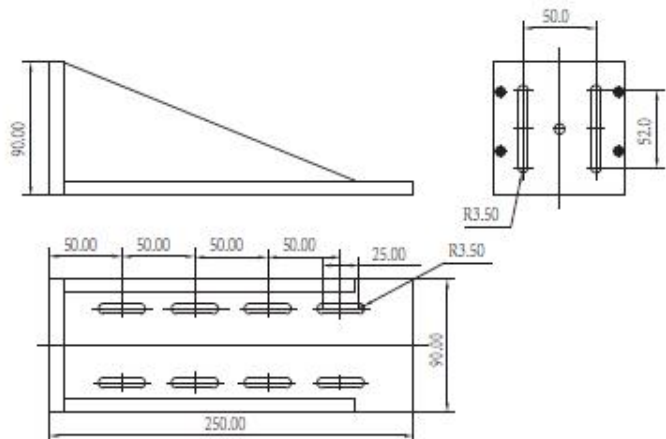
LSZJ1

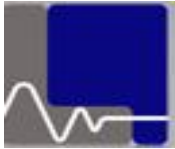


LSZJ2



LSZJ3





Jiangxi Liansheng Technology Co., Ltd

Address: No 1015, Jinsha Third Road, Xiaolan Economic Development Zone,
Nanchang, Jiangxi Province, PRC

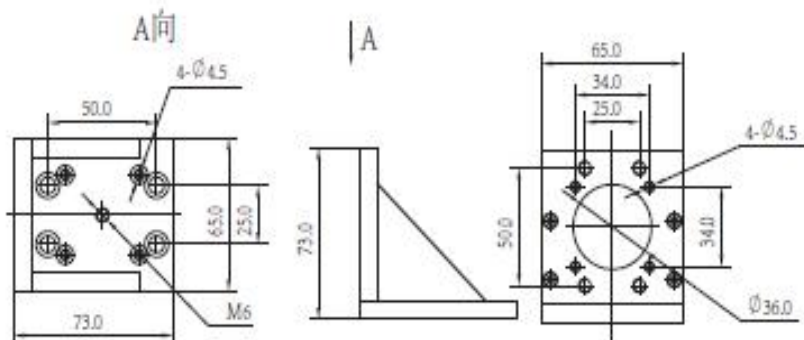
Tel: +860791-88224426

Email: sales2@opticaltable.com

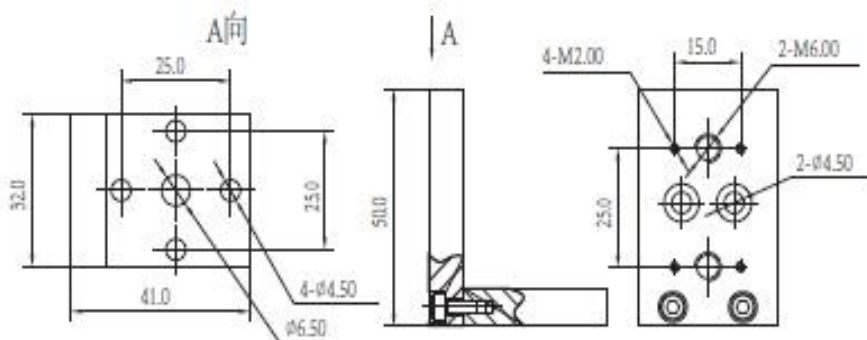
Website: www.jxlszb.com

Contact: Grace Duan

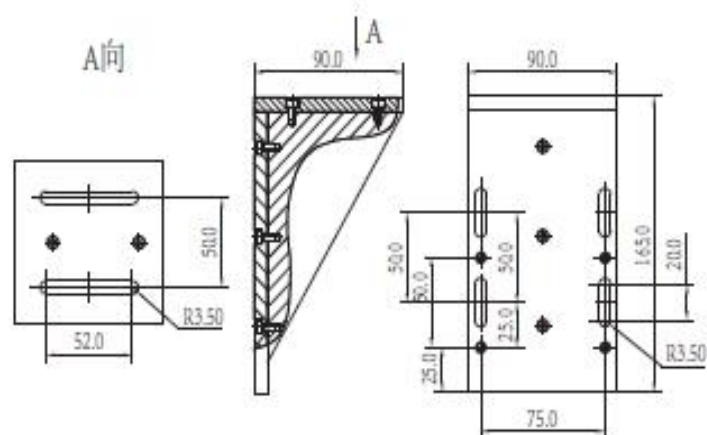
LSZJ4

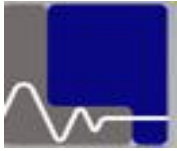


LSZJ5



LSZJ6





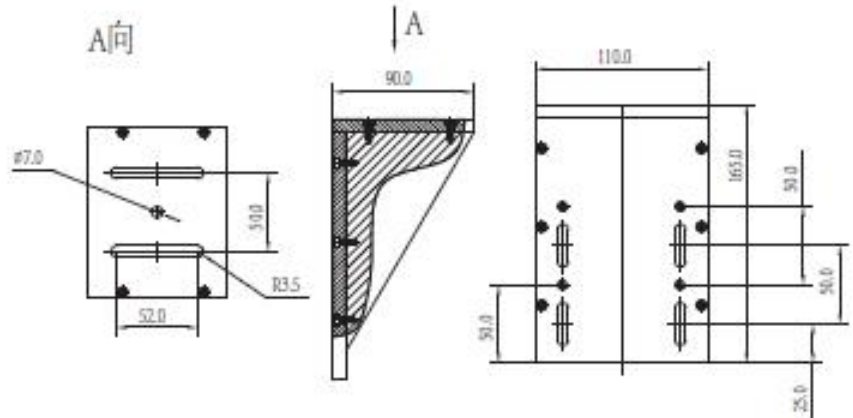
Jiangxi Liansheng Technology Co., Ltd

Address: No 1015, Jinsha Third Road, Xiaolan Economic Development Zone,
Nanchang, Jiangxi Province, PRC

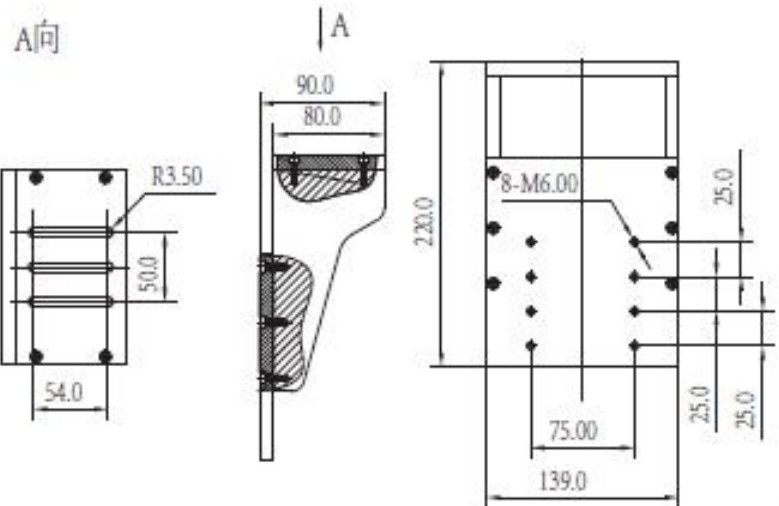
Tel: +86 0791-88224426 Email: sales2@opticaltable.com

Website: www.jxlszb.com Contact: Grace Duan

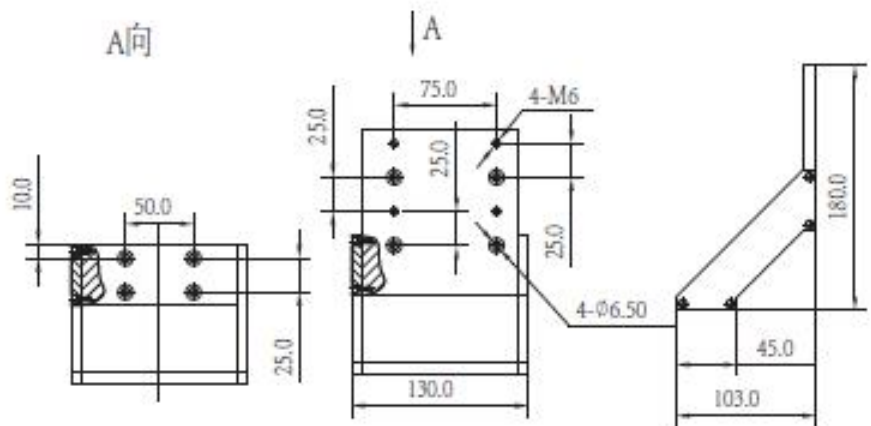
⑦LSZJ7

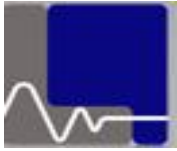


LSZJ8



LSZJ9





Jiangxi Liansheng Technology Co., Ltd

Address: No 1015, Jinsha Third Road, Xiaolan Economic Development Zone, Nanchang, Jiangxi Province, PRC

Tel: +86 0791-88224426 Email: sales2@opticaltable.com

Website: www.jxlszb.com Contact: Grace Duan

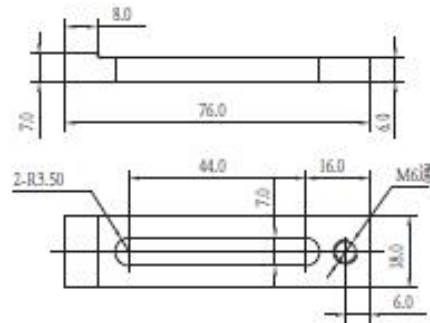
5. Base Clamps LSYB Series

Product Features:

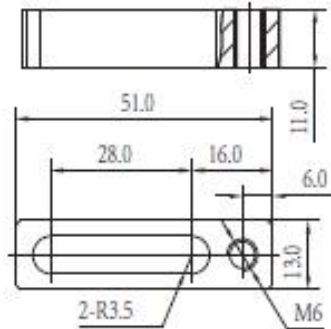
- For assembly and mounting of opto-mechanics products
- All aluminum material with black anodized surface treatment, with standard mounting holes

Technical Specs per Model:

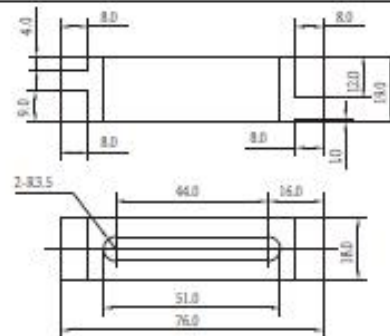
LSYB1



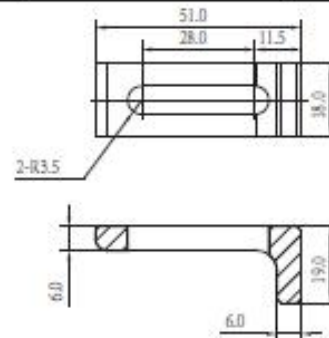
LSYB2

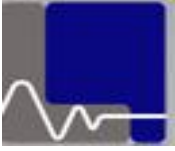


LSYB3



LSYB4

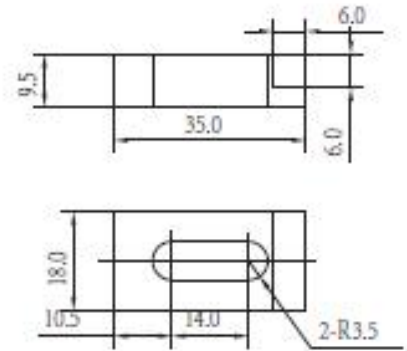




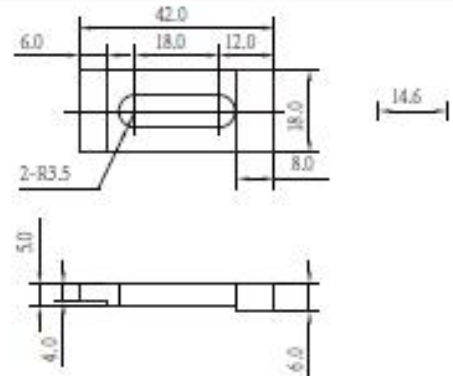
Jiangxi Liansheng Technology Co., Ltd

Address: No 1015, Jinsha Third Road, Xiaolan Economic Development Zone,
 Nanchang, Jiangxi Province, PRC
 Tel: +86 0791-88224426 Email: sales2@opticaltable.com
 Website: www.jxlszb.com Contact: Grace Duan

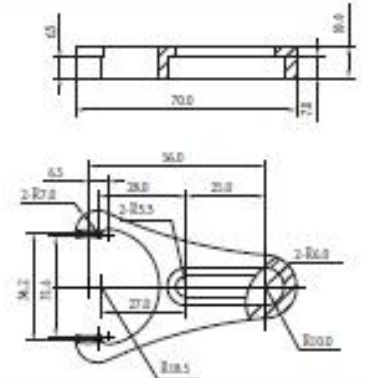
LSYB5



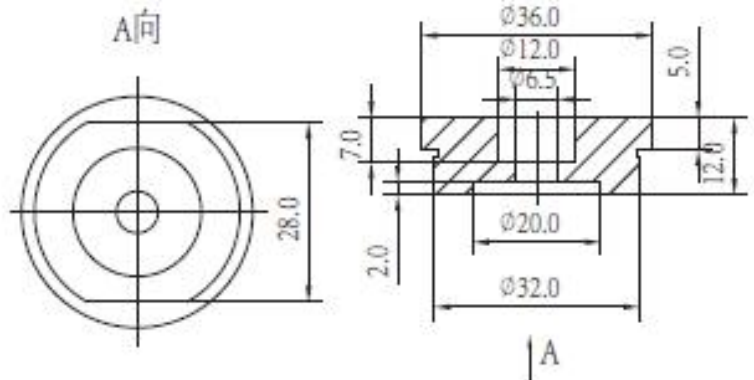
LSYB6

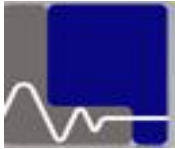


LSYB7



LSYB8





Jiangxi Liansheng Technology Co., Ltd

Address: No 1015, Jinsha Third Road, Xiaolan Economic Development Zone,
Nanchang, Jiangxi Province, PRC

Tel: +86 0791-88224426 Email: sales2@opticaltable.com

Website: www.jxlszb.com Contact: Grace Duan

6. Optical Post and Post Holders LSZG1 Series

LSZG1 Series

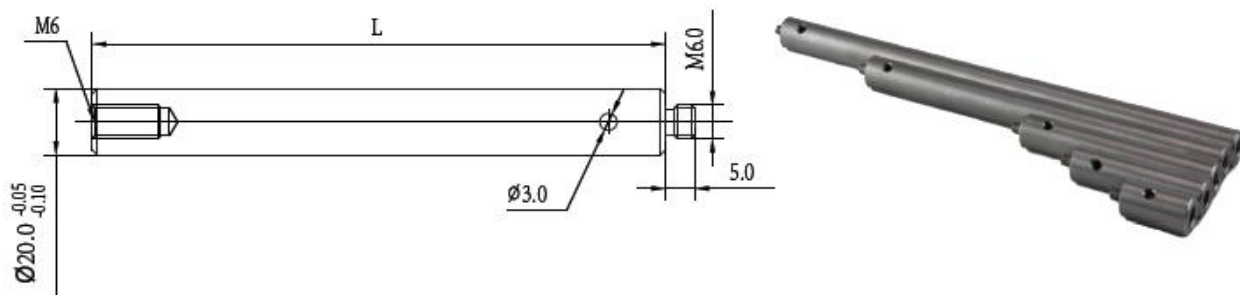
Product Features:

- With high quality stainless steel material
- Can be Integrated/interfaced with other Opto-mechanics products of our company

Technical Specs:

Model	LSZG1-25	LSZG1-50	LSZG1-50	LSZG1-100	LSZG1-150	LSZG2-200	LSZG1-300
Diameter	12mm						
Thread Screw	M6 Internal in one end and M6 External in another end						
L	25	50	75	100	150	200	300
Net Weight:	0.025kg	0.05kg	0.075kg	0.1kg	0.15kg	0.2kg	0.3kg

Product Pictures & Technical Drawing

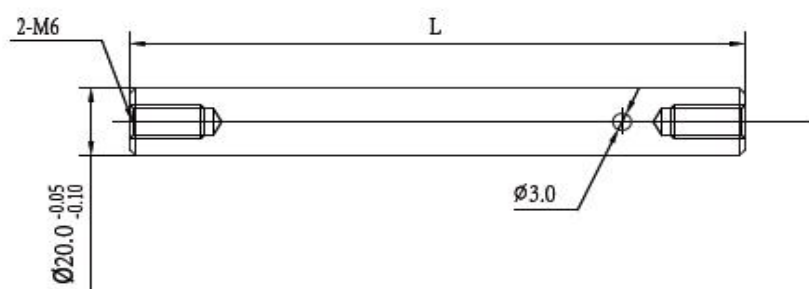


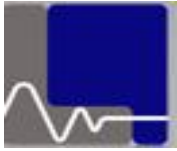
LSZG2 Series

Technical Specs:

Model	LSZG2-25	LSZG2-50	LSZG2-50	LSZG2-100	LSZG2-150	LSZG2-200	LSZG2-300
Diameter	12mm						
Thread Screw	M6 Internal in both ends						
L	25	50	75	100	150	200	300
Net Weight:	0.025kg	0.05kg	0.075kg	0.1kg	0.15kg	0.2kg	0.3kg

Product Pictures & Technical Drawing





Jiangxi Liansheng Technology Co., Ltd

Address: No 1015, Jinsha Third Road, Xiaolan Economic Development Zone,
Nanchang, Jiangxi Province, PRC

Tel: +86 0791-88224426 Email: sales2@opticaltable.com

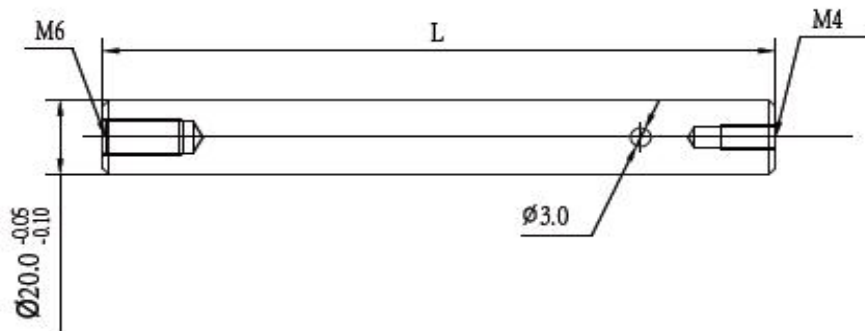
Website: www.jxlszb.com Contact: Grace Duan

LSZG3 Series

Technical Specs:

Model	LSZG3-25	LSZG3-50	LSZG3-50	LSZG3-100	LSZG3-150	LSZG3-200	LSZG3-300
Diameter	12mm						
Thread Screw	M4 Internal in one end and M6 Internal in another end						
L	25	50	75	100	150	200	300
Net Weight:	0.025kg	0.05kg	0.075kg	0.1kg	0.15kg	0.2kg	0.3kg

Product Pictures & Technical Drawing

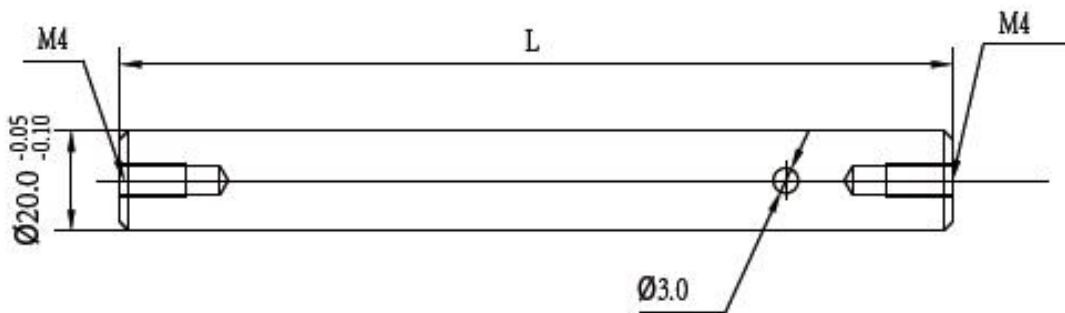


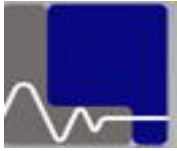
LSZG4 Series

Technical Specs:

Model	LSZG4-25	LSZG4-50	LSZG4-50	LSZG4-100	LSZG4-150	LSZG4-200	LSZG4-300
Diameter	12mm						
Thread Screw	M4 Internal in both ends						
L	25	50	75	100	150	200	300
Net Weight:	0.025kg	0.05kg	0.075kg	0.1kg	0.15kg	0.2kg	0.3kg

Product Pictures & Technical Drawing





Jiangxi Liansheng Technology Co., Ltd

Address: No 1015, Jinsha Third Road, Xiaolan Economic Development Zone,
Nanchang, Jiangxi Province, PRC

Tel: +86 0791-88224426 Email: sales2@opticaltable.com

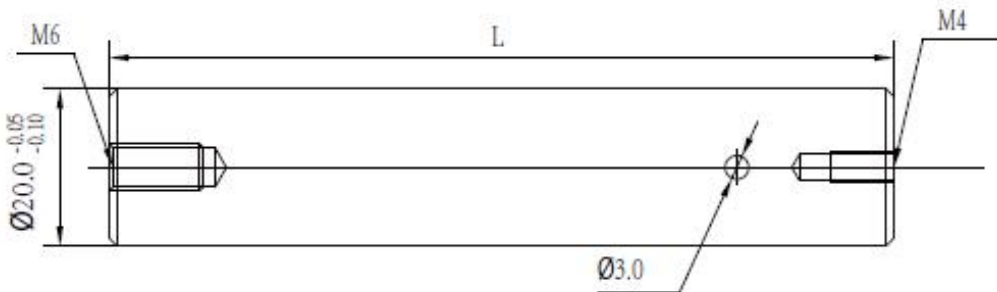
Website: www.jxlszb.com Contact: Grace Duan

LSZG5 Series

Technical Specs:

Model	LSZG5-25	LSZG5-50	LSZG5-50	LSZG5-100	LSZG5-150	LSZG5-200	LSZG5-300
Diameter	20mm						
Thread Screw	M6 Internal in one end and M4 Internal in the other end						
L	25	50	75	100	150	200	300
Net Weight:	0.06kg	0.12kg	0.18kg	0.24kg	0.34kg	0.48kg	0.72kg

Product Pictures & Technical Drawing

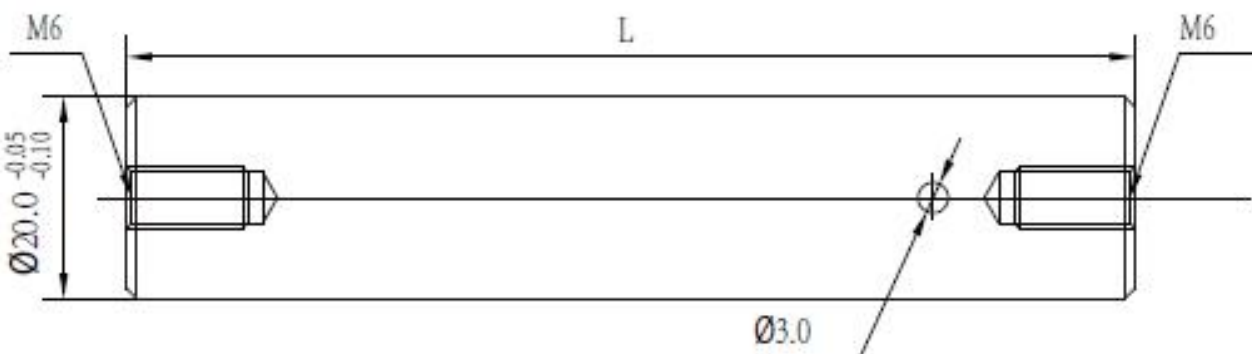


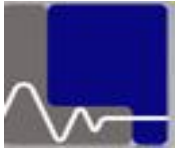
LSZG6 Series

Technical Specs:

Model	LSZG6-25	LSZG6-50	LSZG6-50	LSZG6-100	LSZG6-150	LSZG6-200	LSZG6-300
Diameter	20mm						
Thread Screw	M6 Internal in both ends						
L	25	50	75	100	150	200	300
Net Weight:	0.06kg	0.12kg	0.18kg	0.24kg	0.34kg	0.48kg	0.72kg

Product Pictures & Technical Drawing





Jiangxi Liansheng Technology Co., Ltd

Address: No 1015, Jinsha Third Road, Xiaolan Economic Development Zone,
Nanchang, Jiangxi Province, PRC

Tel: +86 0791-88224426 Email: sales2@opticaltable.com

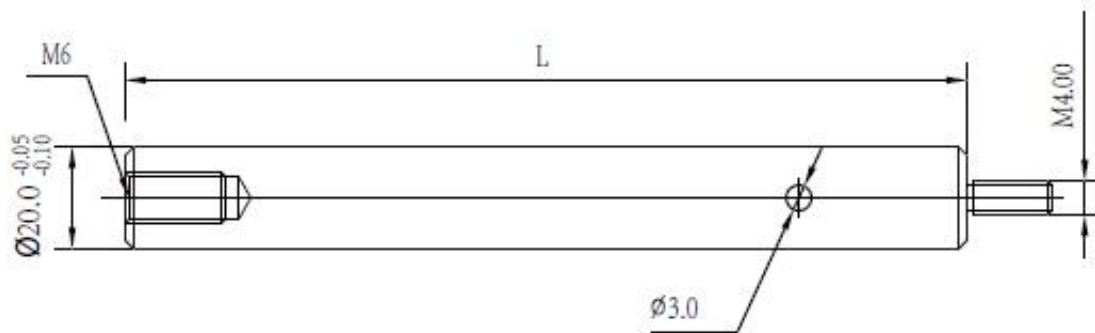
Website: www.jxlszb.com Contact: Grace Duan

LSZG7 Series

Technical Specs:

Model	LSZG7-25	LSZG7-50	LSZG7-50	LSZG7-100	LSZG7-150	LSZG7-200	LSZG7-300
Diameter	20mm						
Thread Screw	M6 Internal in one end & M4 External in another end						
L	25	50	75	100	150	200	300
Net Weight:	0.06kg	0.12kg	0.18kg	0.24kg	0.34kg	0.48kg	0.72kg

Product Pictures & Technical Drawing

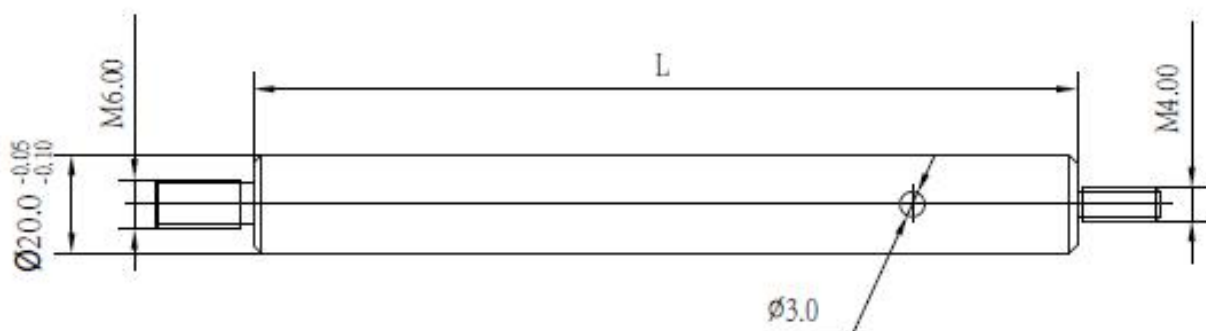


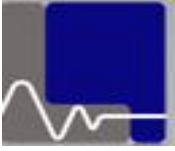
LSZG8 Series

Technical Specs:

Model	LSZG8-25	LSZG8-50	LSZG8-50	LSZG8-100	LSZG8-150	LSZG8-200	LSZG8-300
Diameter	20mm						
Thread Screw	M6 External in one end & M4 External in another end						
L	25	50	75	100	150	200	300
Net Weight:	0.06kg	0.12kg	0.18kg	0.24kg	0.34kg	0.48kg	0.72kg

Product Pictures & Technical Drawing





Jiangxi Liansheng Technology Co., Ltd

Address: No 1015, Jinsha Third Road, Xiaolan Economic Development Zone,
Nanchang, Jiangxi Province, PRC

Tel: +86 0791-88224426 Email: sales2@opticaltable.com

Website: www.jxlszb.com Contact: Grace Duan

7. Optical Post Holders LSGJ1 Series

LSGJ1 Series

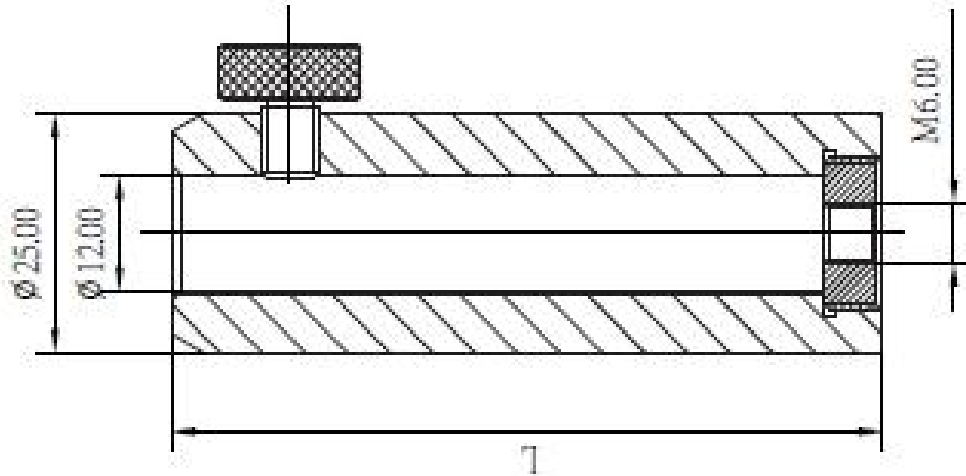
Product Features:

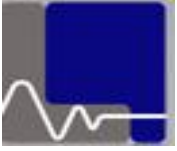
- M6 mounting hole on the bottom
- Can be Integrated/interfaced with other Opto-mechanics products of our company

Technical Specs:

Model	LSGJ1-25	LSGJ1-50	LSGJ1-75	LSGJ1-100	LSGJ1-150
L	25	50	75	100	150
Net Weight:	0.025kg	0.05kg	0.75kg	0.1kg	0.15kg

Product Pictures & Technical Drawing





Jiangxi Liansheng Technology Co., Ltd

Address: No 1015, Jinsha Third Road, Xiaolan Economic Development Zone,
Nanchang, Jiangxi Province, PRC

Tel: +86 0791-88224426 Email: sales2@opticaltable.com

Website: www.jxlszb.com Contact: Grace Duan

LSGJ2 Series

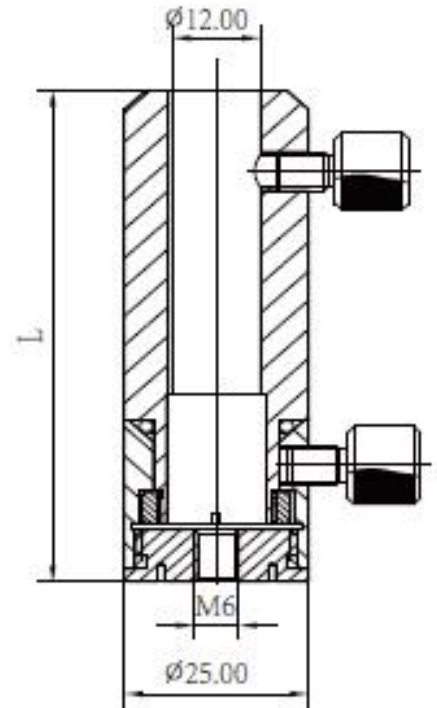
Product Features:

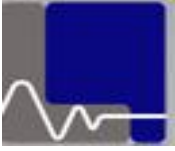
- 360° rotation, lockable mechanism and V-shaped slot for stable mounting with post.
- Can be Integrated/interfaced with other Opto-mechanics products of our company

Technical Specs:

Model	LSGJ2-50	LSGJ2-76	LSGJ2-102
L	50	76	102
Net Weight:	0.025kg	0.1kg	0.12kg

Product Pictures & Technical Drawing





Jiangxi Liansheng Technology Co., Ltd

Address: No 1015, Jinsha Third Road, Xiaolan Economic Development Zone,
Nanchang, Jiangxi Province, PRC

Tel: +86 0791-88224426 Email: sales2@opticaltable.com

Website: www.jxlszb.com Contact: Grace Duan

LSGJ3 Series

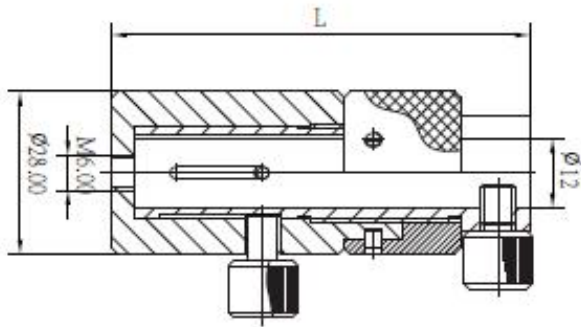
Product Features:

- Fine adjustment in height adjustment.
- Can be Integrated/interfaced with other Opto-mechanics products of our company

Technical Specs:



Model	LSGJ3-15	LSGJ3-25
Adjustment Height Range	72-87mm	95-120mm
Net Weight:	0.1kg	0.15kg

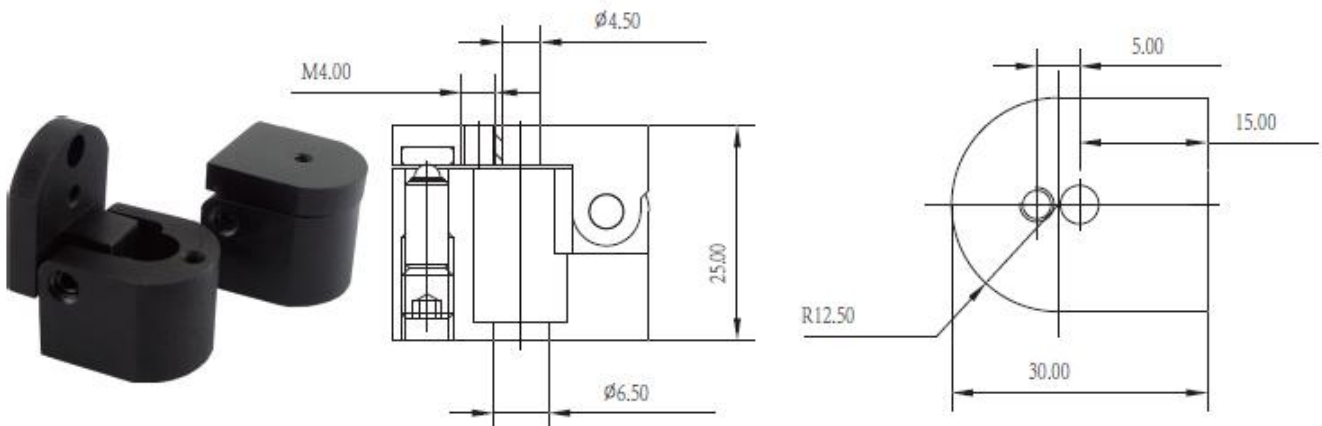


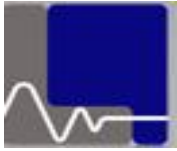
LSGJ4

Product Features:

- Turn-over angle 90°
- Can be Integrated/interfaced with other Opto-mechanics products of our company

Technical Specs:





Jiangxi Liansheng Technology Co., Ltd

Address: No 1015, Jinsha Third Road, Xiaolan Economic Development Zone,
Nanchang, Jiangxi Province, PRC

Tel: +86 0791-88224426 Email: sales2@opticaltable.com

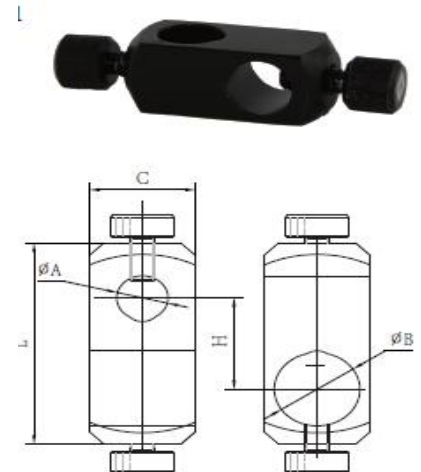
Website: www.jxlszb.com Contact: Grace Duan

8. Optical Crossed Post Holders LSJC1 Series

LSJC1 Series

Technical Specs:

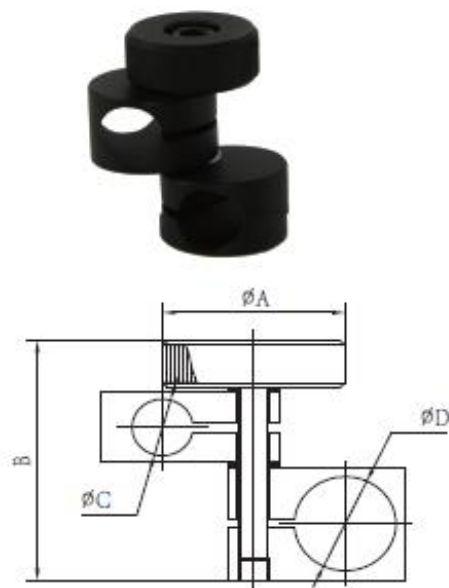
Model	LSJC1-12-12	LSJC1-12-20	LSJC1-20-20
A	12	12	20
B	12	20	20
C	16	25	25
H	25	25	25
L	38	55	55
Net Weight:	0.03kg	0.06kg	0.07kg

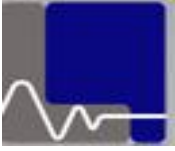


LSJC2 Series

Technical Specs:

Model	LSJC2-12-12	LSJC2-12-20	LSJC2-20-20
A	26	36	36
B	42	51	60
C	12	12	20
D	12	20	20
Net Weight:	0.05kg	0.06kg	0.06kg





Jiangxi Liansheng Technology Co., Ltd

Address: No 1015, Jinsha Third Road, Xiaolan Economic Development Zone,
Nanchang, Jiangxi Province, PRC

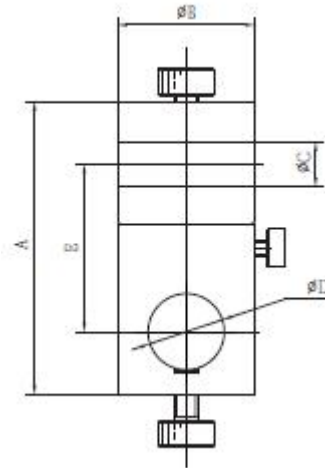
Tel: +86 0791-88224426 Email: sales2@opticaltable.com

Website: www.jxlszb.com Contact: Grace Duan

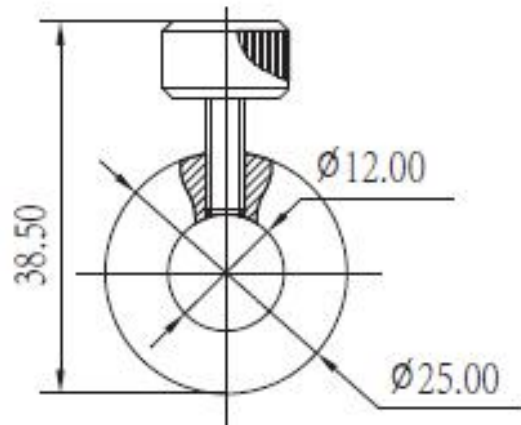
LSJC3 Series

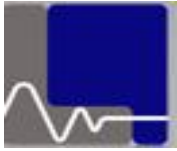
Technical Specs:

Model	LSJC3-12-12	LSJC3-12-20	LSJC3-20-20
A	60	77	77
B	30	36	36
C	12	12	20
D	12	20	20
E	33	44	44
Net Weight:	0.12kg	0.15kg	0.15kg



LSZG12P





Jiangxi Liansheng Technology Co., Ltd

Address: No 1015, Jinsha Third Road, Xiaolan Economic Development Zone,
Nanchang, Jiangxi Province, PRC

Tel: +86 0791-88224426 Email: sales2@opticaltable.com

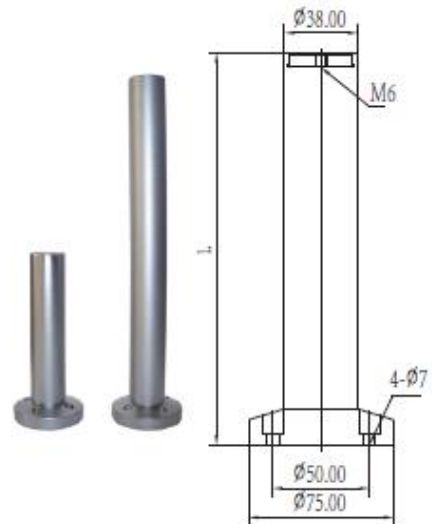
Website: www.jxlszb.com Contact: Grace Duan

9. Optical Support Rods and Clamps LSZB1 Series

LSZB1 Series

Technical Specs:

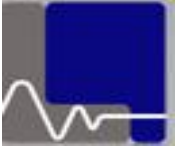
Model	LSZB1-78	LSZB1-356
L	178	356
Net Weight:	1kg	1.5kg



LSZB1 Series

Model	LSZB2-78	LSZB2-356
L	178	356
Net Weight:	1kg	1.5kg





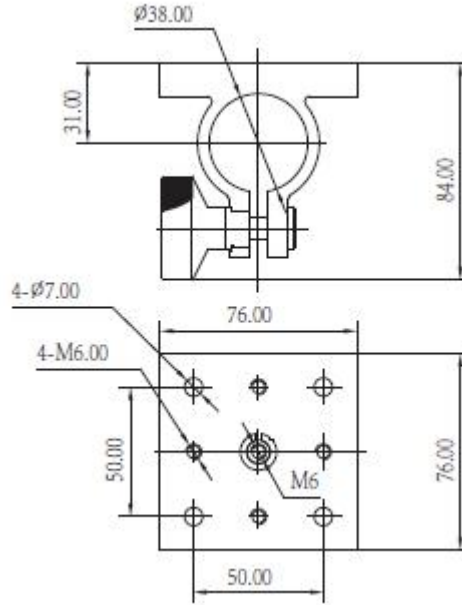
Jiangxi Liansheng Technology Co., Ltd

Address: No 1015, Jinsha Third Road, Xiaolan Economic Development Zone,
Nanchang, Jiangxi Province, PRC

Tel: +86 0791-88224426 Email: sales2@opticaltable.com

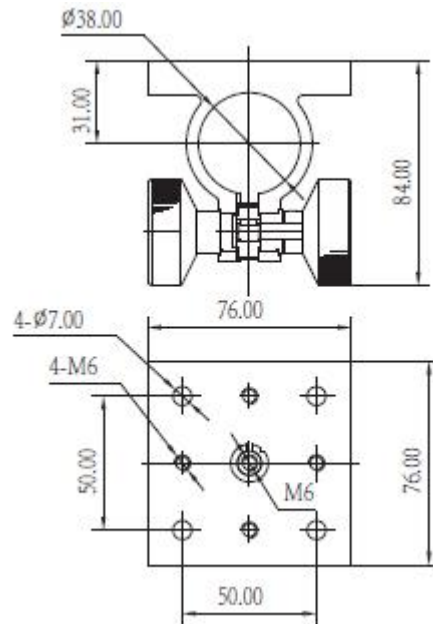
Website: www.jxlszb.com Contact: Grace Duan

LSJJ1-38

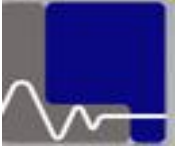


Net Weight: 0.45kg

LSJJ2-38



Net Weight: 0.5kg



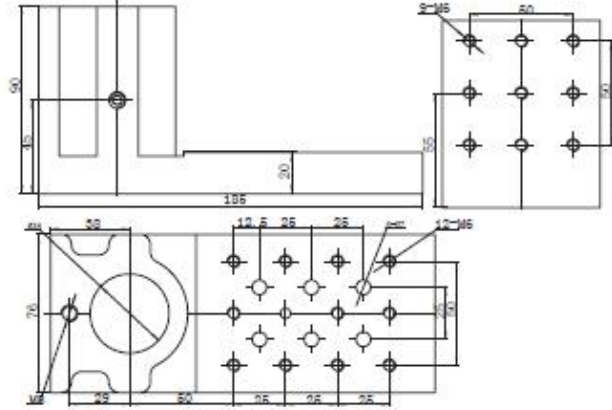
Jiangxi Liansheng Technology Co., Ltd

Address: No 1015, Jinsha Third Road, Xiaolan Economic Development Zone,
Nanchang, Jiangxi Province, PRC

Tel: +86 0791-88224426 Email: sales2@opticaltable.com

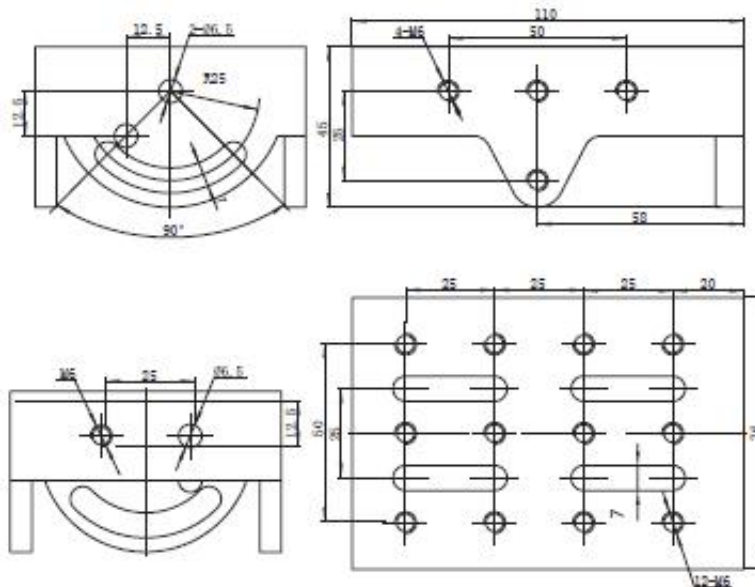
Website: www.jxlszb.com Contact: Grace Duan

LSJJ3-38

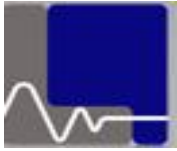


Net Weight: 1.2kg

LSJJ4-38



Net Weight: 0.25kg



Jiangxi Liansheng Technology Co., Ltd

Address: No 1015, Jinsha Third Road, Xiaolan Economic Development Zone,
Nanchang, Jiangxi Province, PRC

Tel: +86 0791-88224426 Email: sales2@opticaltable.com

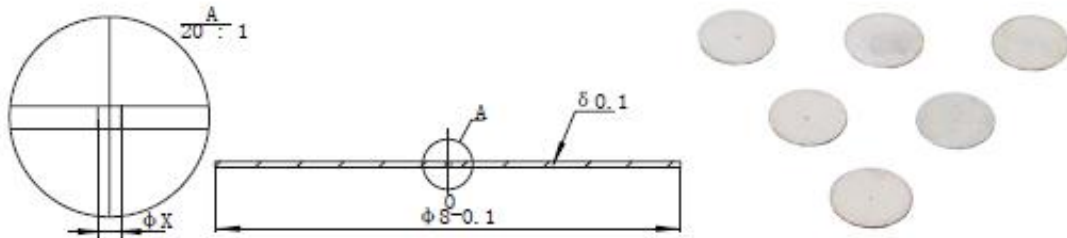
Website: www.jxlszb.com Contact: Grace Duan

10. Optical Pinhole LSZK1 Series

LSZK1 Series

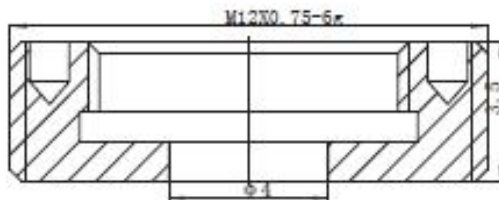
Technical Specs:

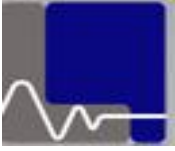
Model	LSZK1-10	LSZK1-15	LSZK1-20	LSZK1-30	LSZK1-50	LSZK1-70	LSZK1-100
Pinhole Diameters	10 μ m	15 μ m	20 μ m	30 μ m	50 μ m	70 μ m	100 μ m



Prototype Pinhole Holder LSZK1-P

For installation and mounting of Pinhole LSKZ1 series.





Jiangxi Liansheng Technology Co., Ltd

Address: No 1015, Jinsha Third Road, Xiaolan Economic Development Zone,
Nanchang, Jiangxi Province, PRC

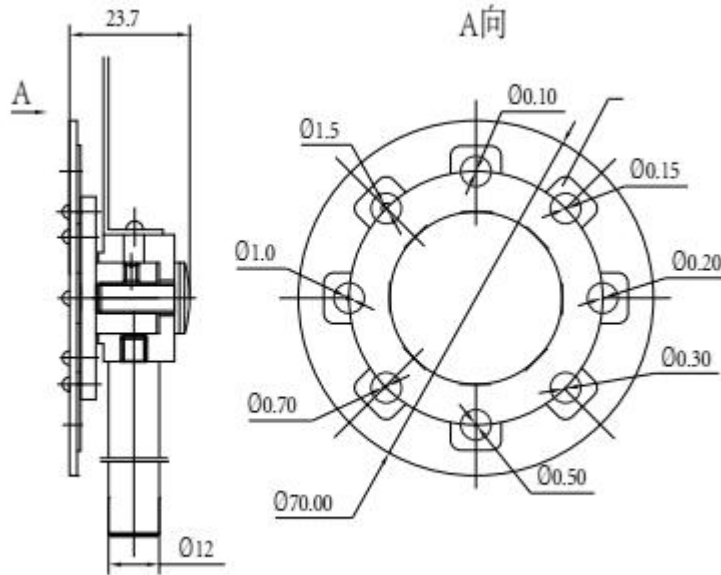
Tel: +86 0791-88224426 Email: sales2@opticaltable.com

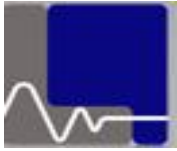
Website: www.jxlszb.com Contact: Grace Duan

LSZK2 Series

Technical Specs:

- Rotary pinhole board for easy change of pinholes
- Net Weight: 0.2kg





Jiangxi Liansheng Technology Co., Ltd

Address: No 1015, Jinsha Third Road, Xiaolan Economic Development Zone,
Nanchang, Jiangxi Province, PRC

Tel: +86 0791-88224426 Email: sales2@opticaltable.com

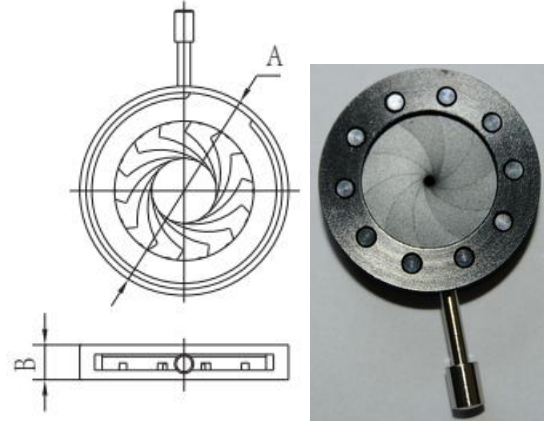
Website: www.jxlszb.com Contact: Grace Duan

11. Aperture Adjustable Iris Diaphragms LSGL1 Series

LSGL1 Series

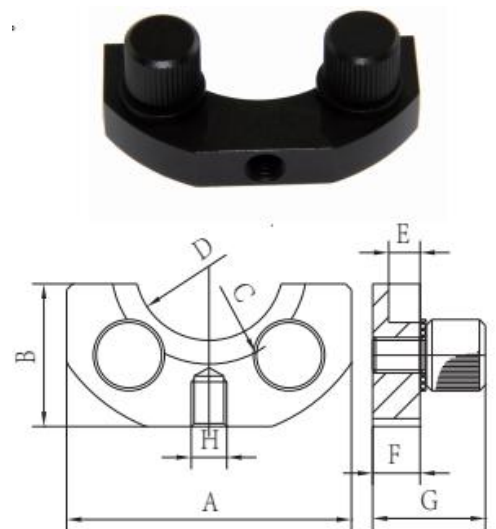
Technical Specs:

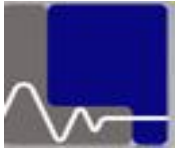
Model	LSGL1-10	LSGL1-22	LSGL1-36	LSGL1-42
Aperture Hole Diameter	1.2-10mm	1.5-22mm	1.5-36mm	2-42mm
A	20	37	56	58
B	5	5.5	6.1	6.5
Net Weight:	0.004kg	0.005kg	0.008kg	0.017kg



Iris Diaphragms Mount LSGL1-P Series

Model	LSGL1-10-P	LSGL1-22-P	LSGL1-36-P	LSGL1-42-P
Aperture Hole Diameter	1.2-10mm	1.5-22mm	1.5-36mm	2-42mm
A	24	48	60	70
B	20	24	32	35
C	R10	R16.5	R25	R29
D	R6.5	R12.5	R117	R24
E	4.8	5.3	7.5	6
F	6	8	10	9
G	18	20	22	21
H	M4	M6	M6	M6
Net Weight	0.017kg	0.019kg	0.038kg	0.040kg





Jiangxi Liansheng Technology Co., Ltd

Address: No 1015, Jinsha Third Road, Xiaolan Economic Development Zone,
Nanchang, Jiangxi Province, PRC

Tel: +86 0791-88224426

Email: sales2@opticaltable.com

Website: www.jxlszb.com

Contact: Grace Duan

11. Microscope Objective Lens LSWJ1 series

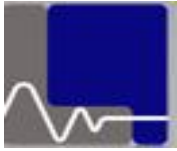
LSWJ Series

Technical Specs:

-Standard mounting thread screws

Model	LSWJ1-4	LSWJ1-10	LSWJ1-20	LSWJ1-40	LSWJ1-60	LSWJ1-100
Aperture Hole Diameter	0.10	0.25	0.40	0.65	0.85	1.25
Focus Length(mm)	31	17.13	8.9	4.65	2.969	2.906
Working Distance (mm)	37.5	7.36	0.78	0.632	0.59	0.198





Jiangxi Liansheng Technology Co., Ltd

Address: No 1015, Jinsha Third Road, Xiaolan Economic Development Zone,
Nanchang, Jiangxi Province, PRC

Tel: +86 0791-88224426 Email: sales2@opticaltable.com

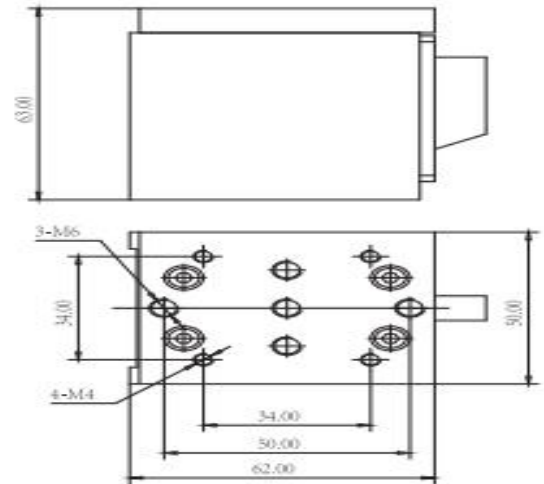
Website: www.jxlszb.com Contact: Grace Duan

12. Optical Magnetic Mounting Base LSCL Series

Magnetic Mounting Base LSCL1

Technical Specs:

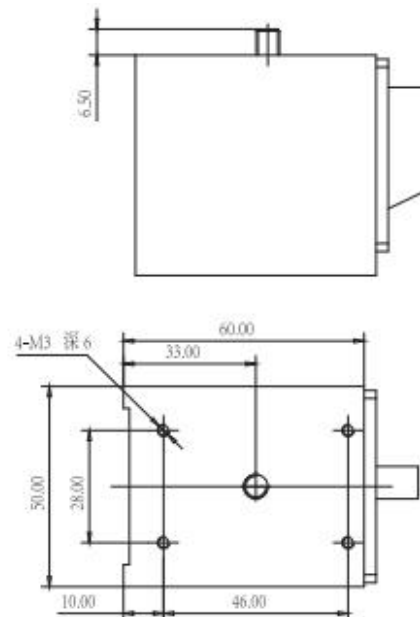
- Magnetism holding power: 60kg
- Net Weight: 1kg

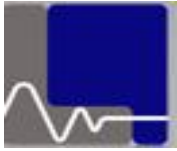


Magnetic Mounting Base LSCL2

Technical Specs:

- Magnetism holding power: 60kg
- Net Weight: 1kg





Jiangxi Liansheng Technology Co., Ltd

Address: No 1015, Jinsha Third Road, Xiaolan Economic Development Zone,
Nanchang, Jiangxi Province, PRC

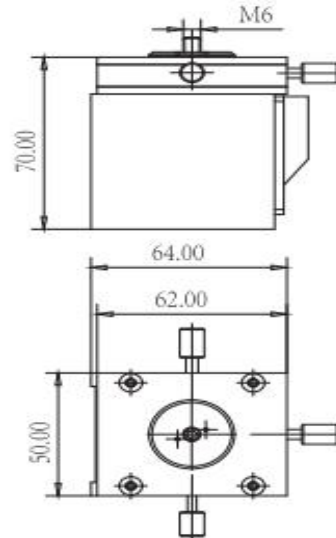
Tel: +86 0791-88224426 Email: sales2@opticaltable.com

Website: www.jxlszb.com Contact: Grace Duan

Magnetic Mounting Base LSCL3

Technical Specs:

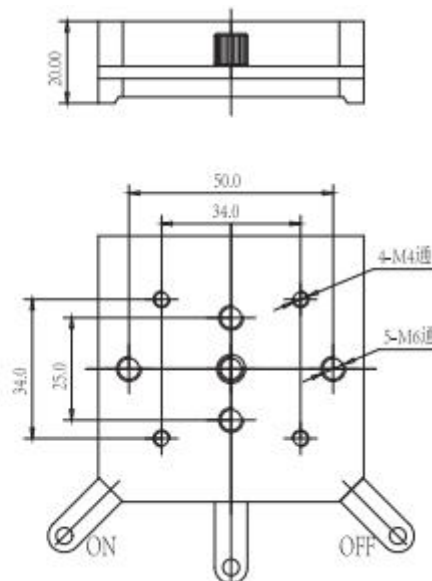
- Magnetism holding power: 60kg XY adjustable range: $\pm 2\text{mm}$
- Load Capacity: 30kg
- Net Weight: 1.1kg

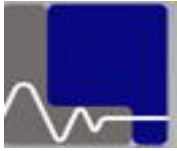


Magnetic Mounting Base LSCL4

Technical Specs:

- Magnetism holding power: 0-23kg adjustable
- Thickness: 20mm
- Net Weight: 0.6kg





Jiangxi Liansheng Technology Co., Ltd

Address: No 1015, Jinsha Third Road, Xiaolan Economic Development Zone, Nanchang, Jiangxi Province, PRC

Tel: +86 0791-88224426 Email: sales2@opticaltable.com

Website: www.jxlszb.com Contact: Grace Duan

13. Precision Spatial Filters LSLB Series

Precision Spatial Filters LSLB1

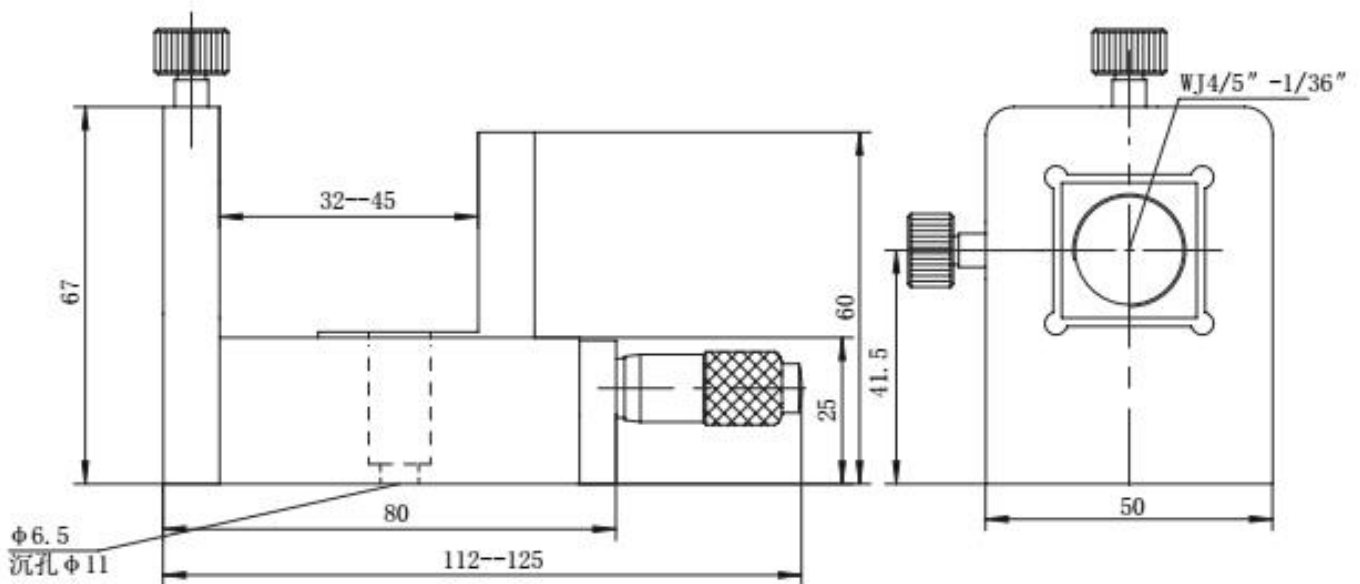
Technical Specs:

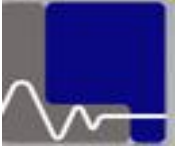
- Standard microscope objective lens mounting base and pinhole mounting base
- Micrometer screw adjustment
- Crossed roller linear guide rail
- Thread screw M6X0.25 for pinhole positioning adjustment

Model	LSLB1	
Objective lens adjustment	Tx	13mm
Pin hole Adjustment	Ty	$\pm 1.5\text{mm}$
	Tz	$\pm 1.5\text{mm}$
Mini Scaling	0.01mm	
Adjustment Accuracy	0.005mm	
Net weight	0.8kg	



Technical Drawings:





Jiangxi Liansheng Technology Co., Ltd

Address: No 1015, Jinsha Third Road, Xiaolan Economic Development Zone,
Nanchang, Jiangxi Province, PRC

Tel: +86 0791-88224426 Email: sales2@opticaltable.com

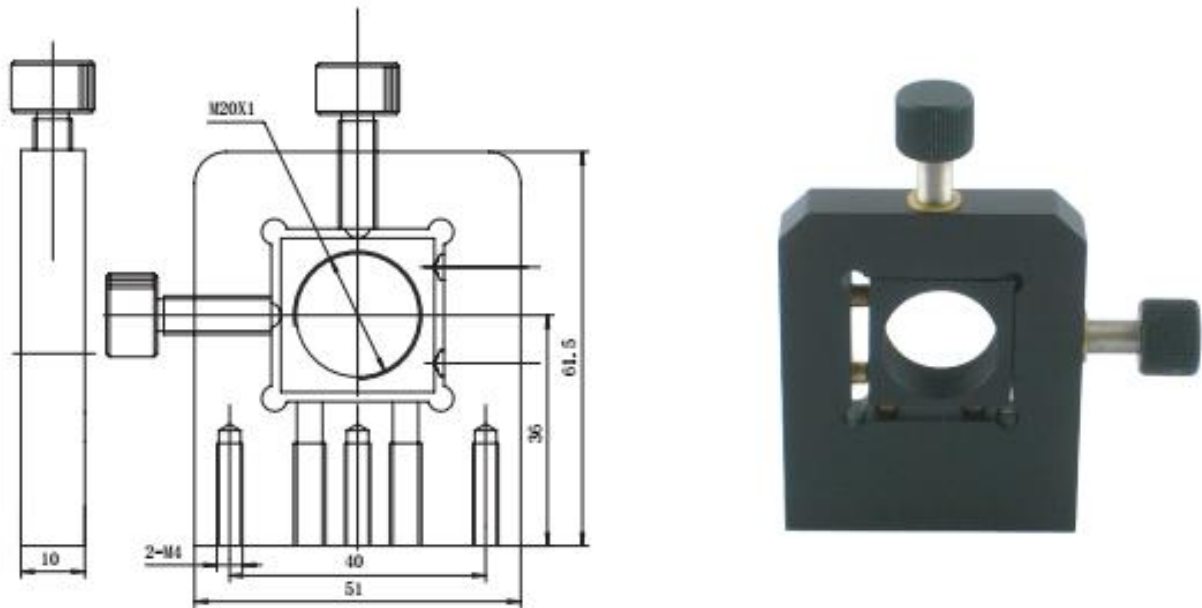
Website: www.jxlszb.com Contact: Grace Duan

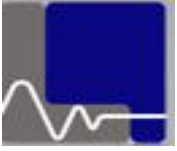
Precision Spatial Filters LSLB2

Technical Specs:

- Standard microscope objective lens mounting base and pinhole mounting base
- Objective lens mount and pinhole positioning adjustment of $\pm 1.5\text{mm}$

Technical Drawings & Product Picture:





Jiangxi Liansheng Technology Co., Ltd

Address: No 1015, Jinsha Third Road, Xiaolan Economic Development Zone,
Nanchang, Jiangxi Province, PRC

Tel: +86 0791-88224426 Email: sales2@opticaltable.com

Website: www.jxlszb.com Contact: Grace Duan

14. Adjustable Optical Slit LSXF Series

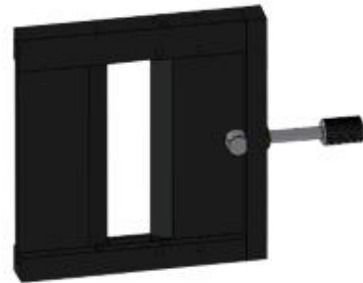
Adjustable Optical Slit LSXF1-14 and LSXF1-20

Technical Specs:

Model	LSXF1-14	LSXF1-20
Slit Width	0-14mm	0-20mm
Height of Slit	80mm	100mm
Net Weight	0.3kg	0.4kg

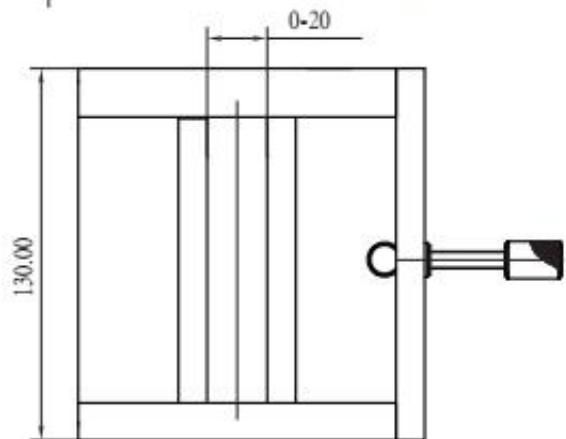
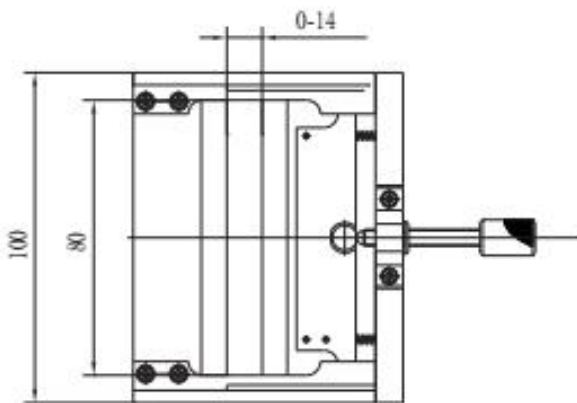
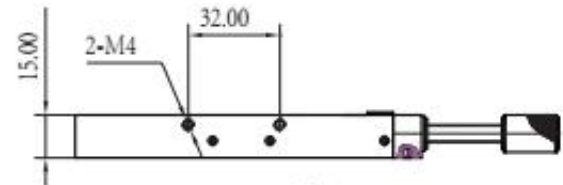


LSXF1-14



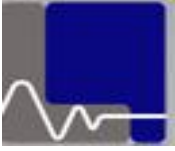
LSXF1-20

Technical Drawings:



LSXF1-14

LSXF1-20



Jiangxi Liansheng Technology Co., Ltd

Address: No 1015, Jinsha Third Road, Xiaolan Economic Development Zone,
Nanchang, Jiangxi Province, PRC

Tel: +86 0791-88224426 Email: sales2@opticaltable.com

Website: www.jxlszb.com Contact: Grace Duan

Adjustable Optical Slit LSXF2-14 and LSXF2-20

Technical Specs:

Model	LSXF2-14	LSXF2-20
Slit Width	0-14mm	0-20mm
Mini Scaling	0.01mm	0.01mm
Slit Height	80mm	100mm
Net Weight	0.3kg	0.4kg

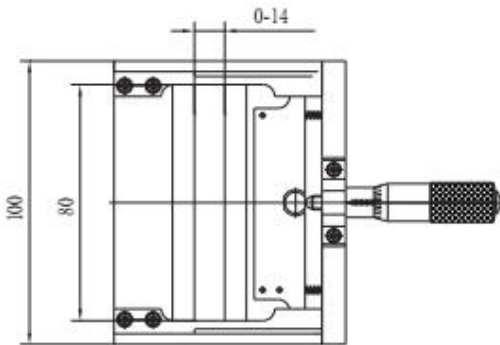
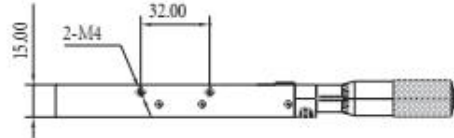


LSXF2-14

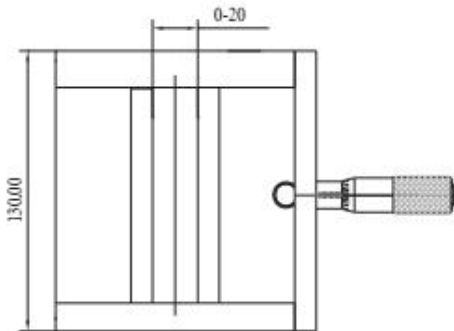


LSXF2-20

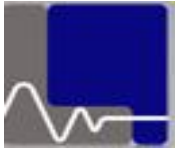
Technical Drawings:



LSXF2-14



LSXF2-20



Jiangxi Liansheng Technology Co., Ltd

Address: No 1015, Jinsha Third Road, Xiaolan Economic Development Zone,
Nanchang, Jiangxi Province, PRC

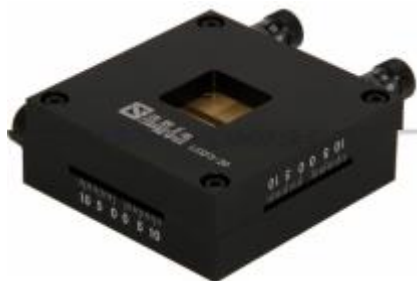
Tel: +86 0791-88224426 Email: sales2@opticaltable.com

Website: www.jxlszb.com Contact: Grace Duan

Adjustable Optical Slit LSXF3-20 and LSXF4-5

Technical Specs:

Model	LSXF3-20	LSXF4-5
Slit Width	0-20mm	0-5mm
Mini Scaling	0.01mm	0.01mm
Slit Height	0-20mm	Rotary Range: $\pm 5^\circ$
Net Weight	0.4kg	0.4kg

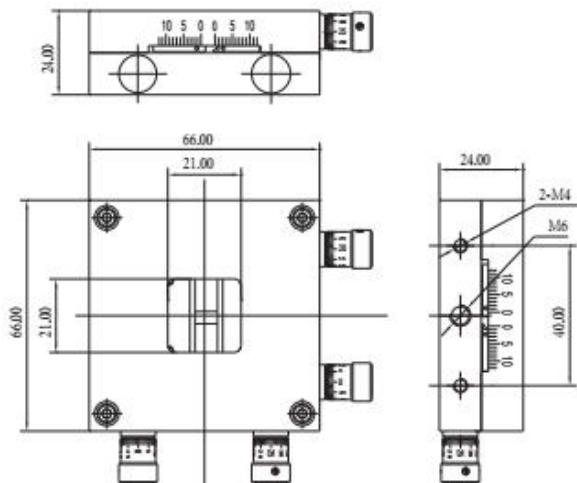


LSXF3-20

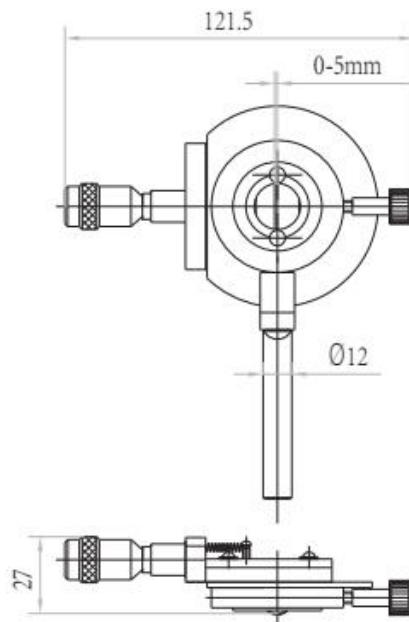


LSXF4-5

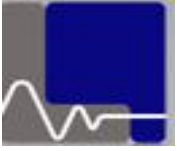
Technical Drawings:



LSXF3-20



LSXF4-5



Jiangxi Liansheng Technology Co., Ltd

Address: No 1015, Jinsha Third Road, Xiaolan Economic Development Zone,
Nanchang, Jiangxi Province, PRC

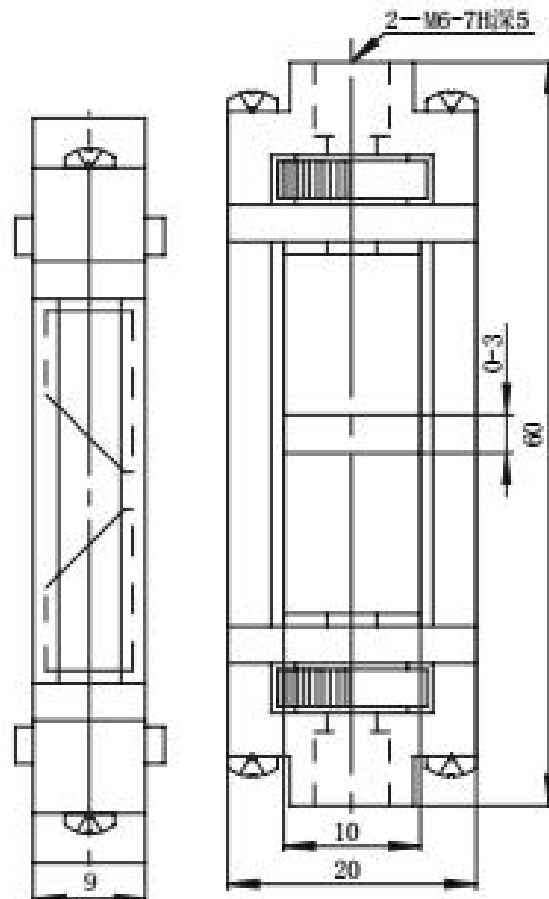
Tel: +86 0791-88224426 Email: sales2@opticaltable.com

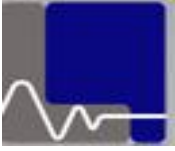
Website: www.jxlszb.com Contact: Grace Duan

Adjustable Optical Slit LSXF5-6

Technical Specs:

Model	LSXF5-6
Slit Width	0-20mm
Slit Height	0-20mm
Net Weight	0.4kg





Jiangxi Liansheng Technology Co., Ltd

Address: No 1015, Jinsha Third Road, Xiaolan Economic Development Zone,
Nanchang, Jiangxi Province, PRC

Tel: +86 0791-88224426 Email: sales2@opticaltable.com

Website: www.jxlszb.com Contact: Grace Duan

14. Optical slide and Slide Loading Blocks LSDG Series

Optical slide LSDG1

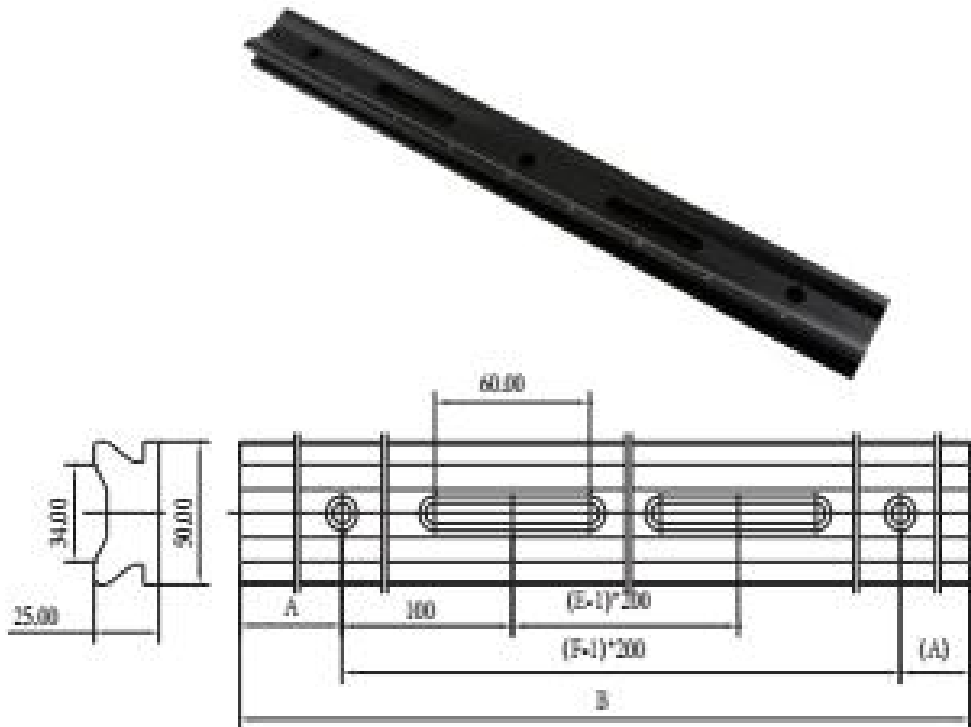
Product Features:

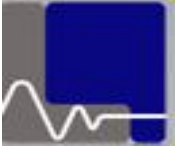
- High quality aluminum material
- Prototype dove tail for easy mounting with load sliding blocks
- With scale reading for movement positioning.

Technical Specs:

Model	LSDG1-5	LSDG1-10	LSDG1-15	LSDG1-20
A	50	100	50	100
B	500	1000	1500	2000
E	2	4	7	9
F	3	5	8	10
Net Weight	2.9kg	5.8kg	8.7kg	11.5kg

Product Picture and Drawings





Nanchang Leadtop Technology Co.,Ltd

Address: No 1015, Jinsha Third Road, Xiaolan Economic Development Zone,
Nanchang, Jiangxi Province, PRC

Tel: +86 0791-88224426 Email: sales2@opticaltable.com

Website: www.jxlszb.com Contact: Grace Duan

Optical slide LSDG2

Product Features:

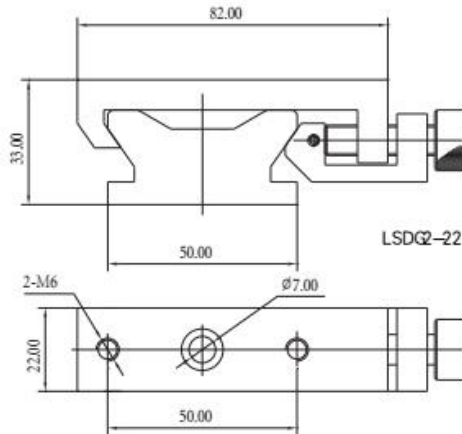
- High quality aluminum material
- Prototype application with LSDG1 series slide. M6X0.25 fine thread screw adjustment

Technical Specs:

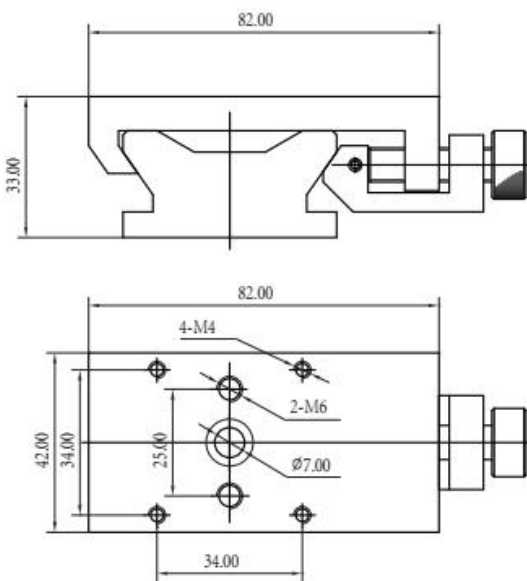
Model	LSDG2-22	LSDG2-42	LSDG2-88
Net Weight	0.16kg	0.2kg	0.3



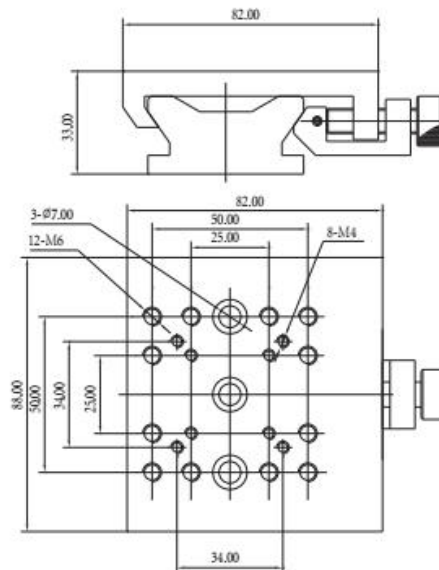
Product Picture and Drawings

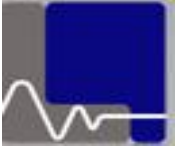


LSDG2-42



LSDG2-88





Jiangxi Liansheng Technology Co., Ltd

Address: No 1015, Jinsha Third Road, Xiaolan Economic Development Zone,
Nanchang, Jiangxi Province, PRC

Tel: +86 0791-88224426 Email: sales2@opticaltable.com

Website: www.jxlszb.com Contact: Grace Duan

Optical slide LSDG3-5

Product Features:

- High quality aluminum material
- Prototype application with LSDG1 series slide. M6X0.25 fine thread screw adjustment
- Precision adjustment range of $\pm 5\text{mm}$.
- Net weight: 0.4kg.

Technical Specs:

