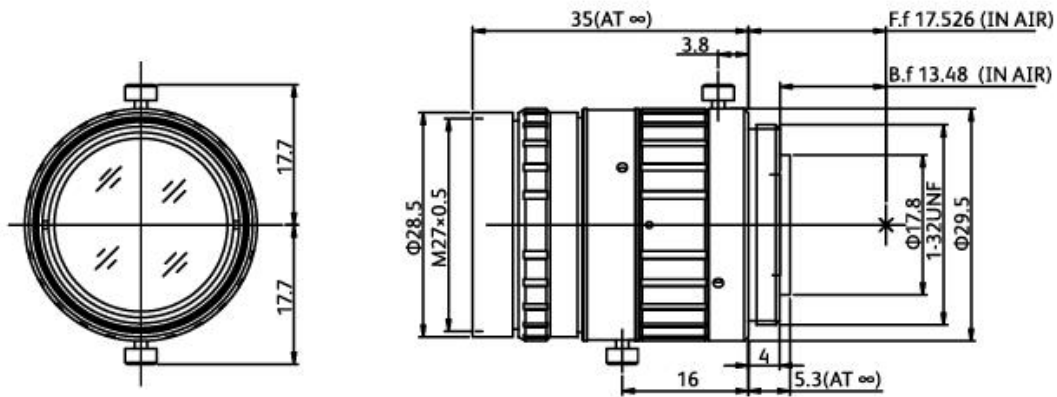
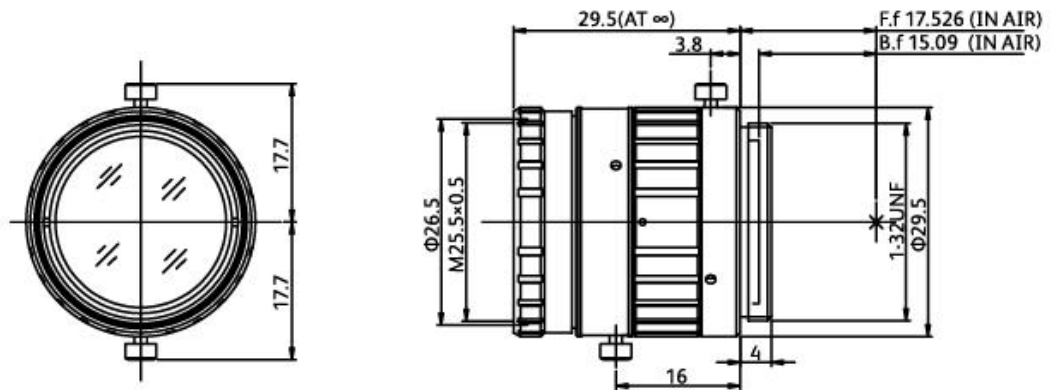


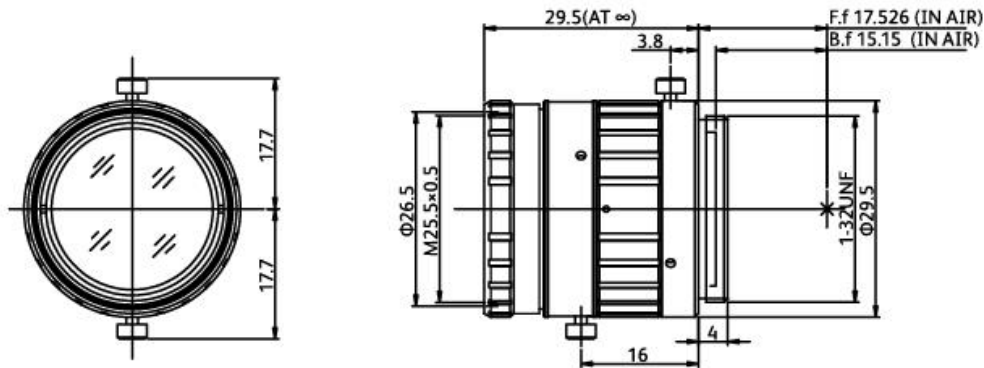
model	MY0612-3MP
distinguishability	3MP
Target size	1/2"
Focal length	6mm
aperture	F1.2-16
Work distance	$\infty \sim 10$
Rear intercept	11.44mm
Viewing angle	57.3° x 43.8° (1/2")
interface	C□
Iris control	Manual operation
TV distortion	-1.84
Filter size	M27x0.5
Outside dimension (mm)	$\Phi 29.5 \times 36.7$
weight	50g



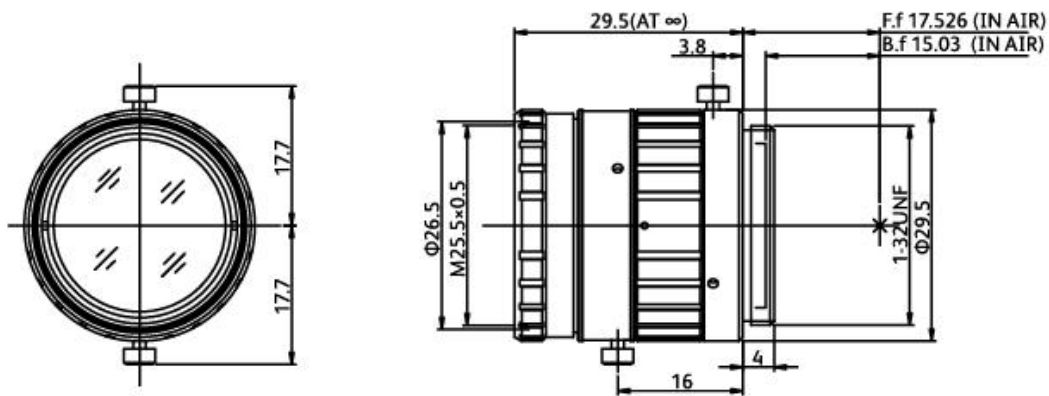
model	MY0914-3MP
distinguishability	3MP
Target size	2/3"
Focal length	9mm
aperture	F1.4-16
Work distance	$\infty \sim 40$
Rear intercept	13.48mm
Viewing angle	53.3° x 40.5° (2/3")
interface	C□
Iris control	Manual operation
TV distortion	-2
Filter size	M27x0.5
Outside dimension (mm)	$\Phi 29.5 \times 35$
weight	50g



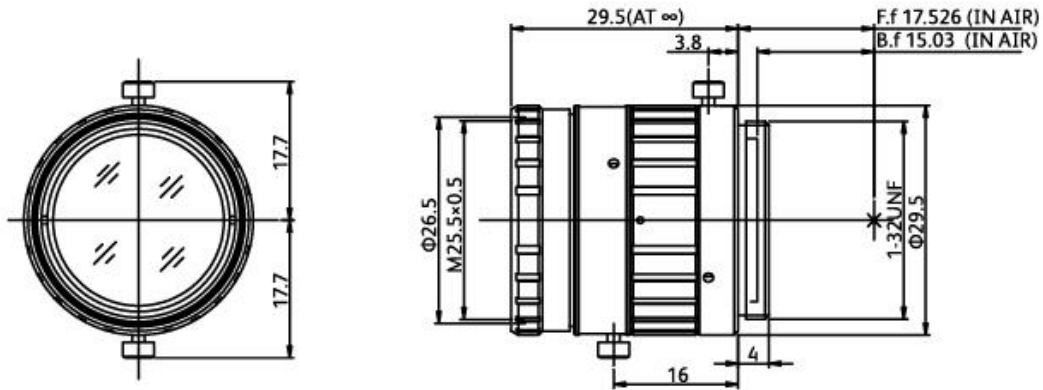
model	MY12514-3MP
distinguishability	3MP
Target size	2/3"
Focal length	12.5mm
aperture	F1.4-16
Work distance	$\infty \sim 20$
Rear intercept	15.09mm
Viewing angle	39.2° x 29.4° (2/3")
interface	C□
Iris control	Manual operation
TV distortion	-1.95
Filter size	M25.5x0.5
Outside dimension (mm)	$\Phi 29.5 \times 29.5$
weight	40g



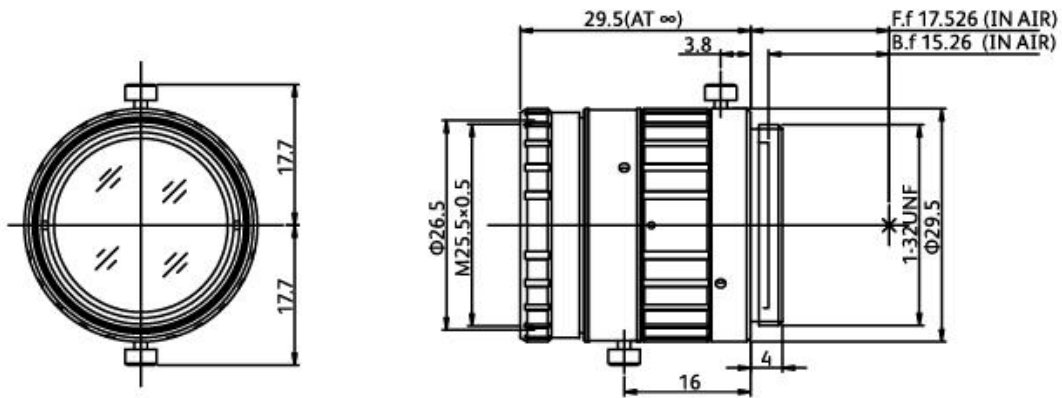
model	MY1614-3MP
distinguishability	3MP
Target size	2/3"
Focal length	16mm
aperture	F1.4-16
Work dittance	$\infty \sim 40$
Rear intercept	15.15mm
Viewing angle	30.5° x 22.9° (2/3")
interface	C□
Iris control	Manual operation
TV distortion	-0.87
Filter size	M25.5x0.5
Outside dimension (mm)	$\Phi 29.5 \times 29.5$
weight	40g



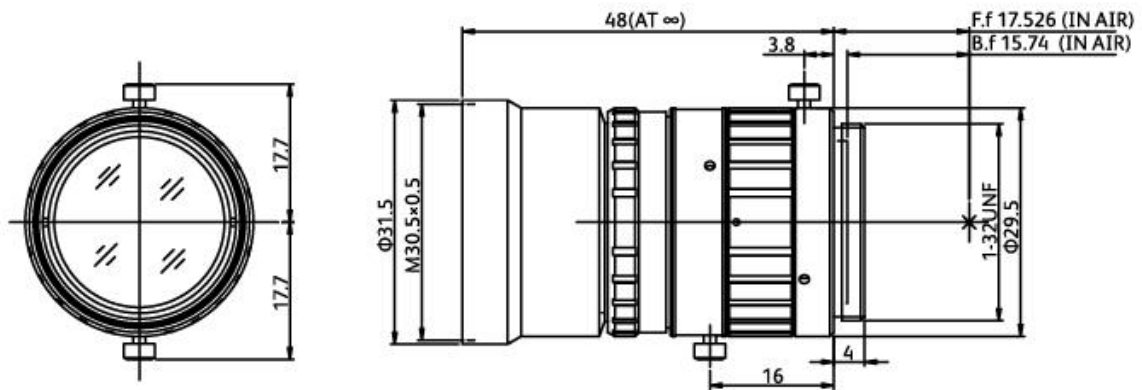
model	MY2514-3MP
distinguishability	3MP
Target size	2/3"
Focal length	25mm
aperture	F1.4-16
Work distance	∞~120
Rear intercept	15.03mm
Viewing angle	19.4° x 14.6° (2/3")
interface	C□
Iris control	Manual operation
TV distortion	-0.19
Filter size	M25.5x0.5
Outside dimension (mm)	Φ 29.5 × 29.5
weight	40g



model	MY3516-3MP
distinguishability	3MP
Target size	2/3"
Focal length	35mm
aperture	F1.6-22
Work distance	∞~230
Rear intercept	15.03mm
Viewing angle	14.2° x 10.8° (2/3")
interface	C□
Iris control	Manual operation
TV distortion	0.10
Filter size	M25.5x0.5
Outside dimension (mm)	Φ29.5×29.5
weight	40g



model	MY5023-3MP
distinguishability	3MP
Target size	2/3"
Focal length	50mm
aperture	F2.3-22
Work distance	∞ ~500
Rear intercept	15.26mm
Viewing angle	14.2° x 10.7° (2/3")
interface	C□
Iris control	Manual operation
TV distortion	0.10
Filter size	M25.5x0.5
Outside dimension (mm)	Φ 29.5 × 29.5
weight	40g



model	MY3519-3MP
distinguishability	3MP
Target size	2/3"
Focal length	75mm
aperture	F2.8-22
Work distance	$\infty \sim 1100$
Rear intercept	15.74mm
Viewing angle	6.7° x 5.0° (2/3")
interface	C□
Iris control	Manual operation
TV distortion	0.36
Filter size	M30x0.5
Outside dimension (mm)	$\Phi 31.5 \times 48$
weight	50g