

Multimode Dual Fiber Collimator (GK-MMC Series)

● Description

The Multimode Fiber Collimator is the basic element for in-line fiber optic components, such as isolator and FWDM. It has low insertion loss and high return loss. The unique processing and high quality AR coating also enable this collimator to handle high power.

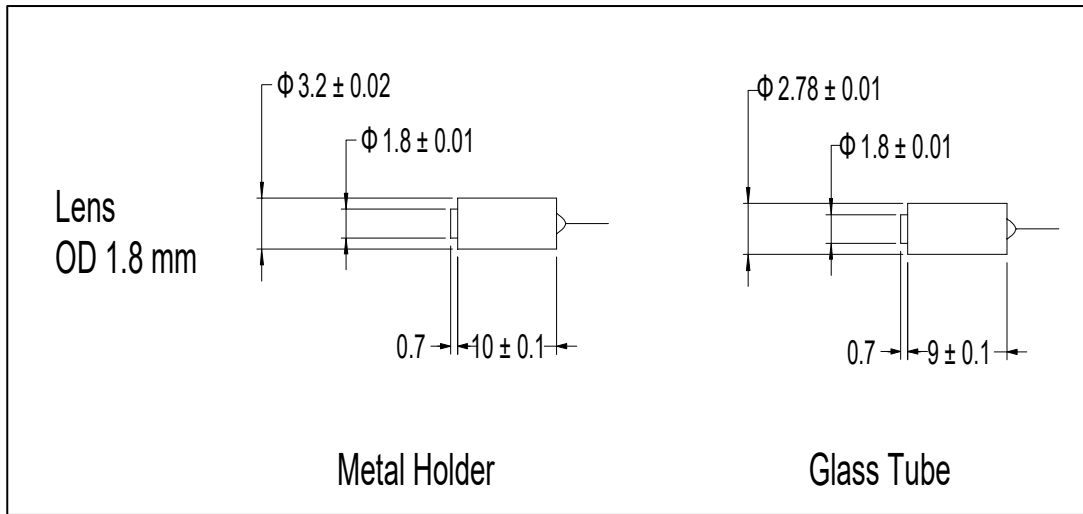
● Specifications

Parameter	Unit	Type A
Center Wavelength (λ_c)	nm	1310, 1550, or, specified
Operating Wavelength Range	nm	$\lambda_c \pm 30$
Working Distance	mm	0 or 5
Typ. Insertion Loss	dB	0.20
Max. Insertion Loss	dB	0.25
Min. Return Loss	dB	35
Max. Tensile Load	N	5
Fiber Type	-	Multimode Fiber 105/125, 62.5/125, 50/125 μm , or specified
Operating Temperature	$^{\circ}\text{C}$	- 5 to + 70
Storage Temperature	$^{\circ}\text{C}$	- 40 to + 85

¹IL is 0.3 dB higher for each connector added.

²Above specifications are measured at low order modes.

● Package Dimensions



● Ordering Information

GK-MMC-①-②-③-④-⑤-⑥-⑦-⑧-⑨-⑩

①: Lens Diameter

1 - 1.8 mm

②: Pigtail Type

2 - Dual Fiber Pigtail

③: Wavelength

31 - 1310 nm

55 - 1550 nm

SS - Specify

④: Holder Type

1 - Metal Holder

2 - Glass Tube

⑤: Working Distance

1 - 5 mm (for C-Lens)

2 - 0 mm (for Grin-Lens)

⑥: Connector Type

1 - FC/UPC 4 - SC/APC

2 - FC/APC N - None

3 - SC/UPC S - Specify

⑦: Fiber Jacket

B - 250 μm Bare Fiber

⑧: Fiber Length

F - 1.5 m

S - Specify

⑨: Lens Type

G - Grin Lens

C - C Lens

⑩: Fiber Core

1 - 105/125 μm

2 - 62.5/125 μm

3 - 50/125 μm

S - Specify