

Multimode Fiber Filter Coupler (GK-MMFC Series)

● Description

The Multimode Fiber Filter Coupler Series offers very low excess loss, broad operating band and high stability and reliability. These components are extensively used in LAN, multimode fiber communication systems, fiber sensors and testing instruments.

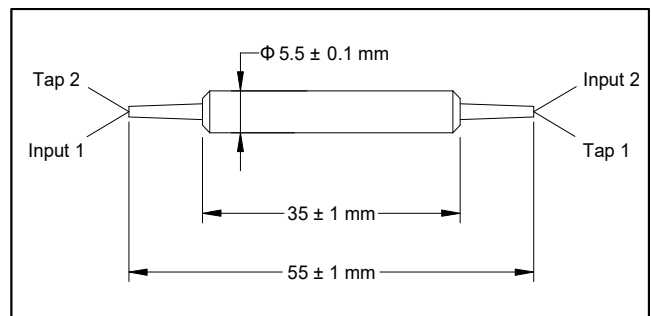
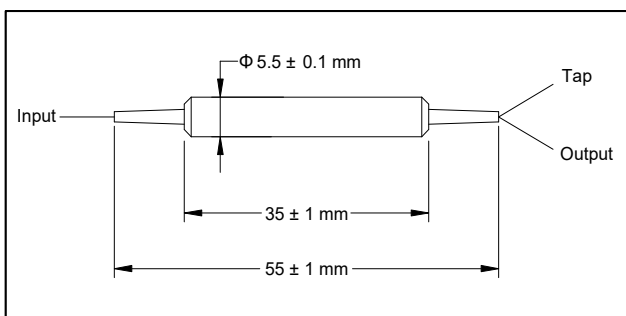
● Specifications

| Parameter | Unit | Value |
|--------------------------------------|------|---|
| Center Wavelength | nm | 1310, 1550 |
| Operating Wavelength Range | nm | ± 40 |
| Configuration | - | 1 × 2 2 × 2 |
| Max. Excess Loss | dB | 0.7 1.0 |
| Max. Uniformity | dB | 0.6 0.8 |
| Tap Ratio | % | 5 ± 1.0, 50, or specified |
| Min. Return Loss | dB | 35 |
| Max. Optical Power (Continuous Wave) | mW | 300 |
| Fiber Type | N | Multimode Fiber, 62.5/125, 50/125, 105/125 μm |
| Max. Tensile Load | - | 5 |
| Operating Temperature | °C | -5 to +70 |
| Storage Temperature | °C | -40 to +85 |

¹IL is 0.3 dB higher for each connector added.

²Above specifications are measured at low order modes.

● Package Dimensions



● Ordering Information

GK-MMFC-①-②-③-④-⑤-⑥-⑦

①: Configuration

1 - 1 × 2
2 - 2 × 2

②: Wavelength

31 - 1310 nm
55 - 1550 nm
SS - Specify

③: Coupling Ratio

05 - 5/95
50 - 50/50
SS - Specify

④: Connector Type

1 - FC/UPC
2 - FC/APC
3 - SC/UPC
4 - SC/APC
N - None
S - Specify

⑤: Fiber Jacket

B - 250 μm Bare Fiber
L - 900 μm Loose
S - Specify

⑥: Fiber Core

1 - 105 μm
2 - 62.5 μm
3 - 50 μm
S - Specify

⑦: Fiber Length

1 - 1 m
S - Specify