



Multimode Fiber Filter Coupler (GK-MMFC Series)

● Description

The MMFC series offers very low excess loss, broad operating band and high stability and reliability. These components are extensively used in LAN, multimode fiber communication systems, fiber sensors and testing instruments.

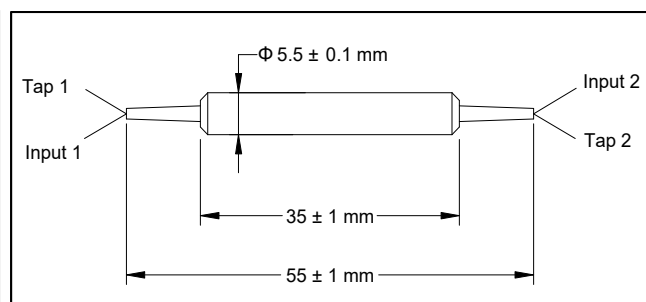
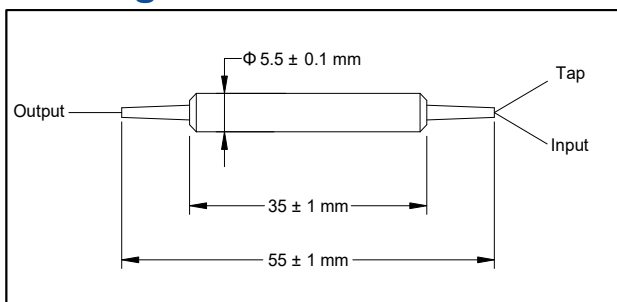
● Specifications

Parameter	Unit	Value
Center Wavelength	nm	1310, 1550
Operating Wavelength Range	nm	± 40
Configuration	-	1 x 2 2 x 2
Max. Excess Loss	dB	0.7 1.0
Max. Uniformity	dB	0.6 0.8
Tap Ratio	%	5 ± 1.0, 50, or specified
Min. Return Loss	dB	35
Max. Optical Power (Continuous Wave)	mW	300
Fiber Type	-	Multimode Fiber,62.5/125,50/125,105/125 μm
Max. Tensile Load	N	5
Operating Temperature	℃	- 5 to + 70
Storage Temperature	℃	- 40 to + 85

¹IL is 0.3 dB higher for each connector added.

²Above specifications are measured at low order modes.

● Package Dimensions



● Ordering Information

GK-MMFC-①-②-③-④-⑤-⑥-⑦

①: Configuration

1 - 1 × 2

2 - 2 × 2

②: Wavelength

31 - 1310 nm

55 - 1550 nm

SS - Specify

③: Coupling Ratio

05 - 5/95

50 - 50/50

SS - Specify

④: Connector Type

1 - FC/UPC 4 - SC/APC

2 - FC/APC N - None

3 - SC/UPC S - Specify

⑤: Fiber Jacke

B - 250 μm Bare Fiber

L - 900 μm Loose Tube

3 - 3 mm Cable

S - Specify

⑥: Fiber Length

1 - 1.0 m

S - Specify

⑦: Fiber Core

1 - 105 μm

2 - 62.5 μm

3 - 50 μm

S - Specify