



## Polarization Beam Combiner/Splitter (GK-PBC/PBS Series)

### ● Description

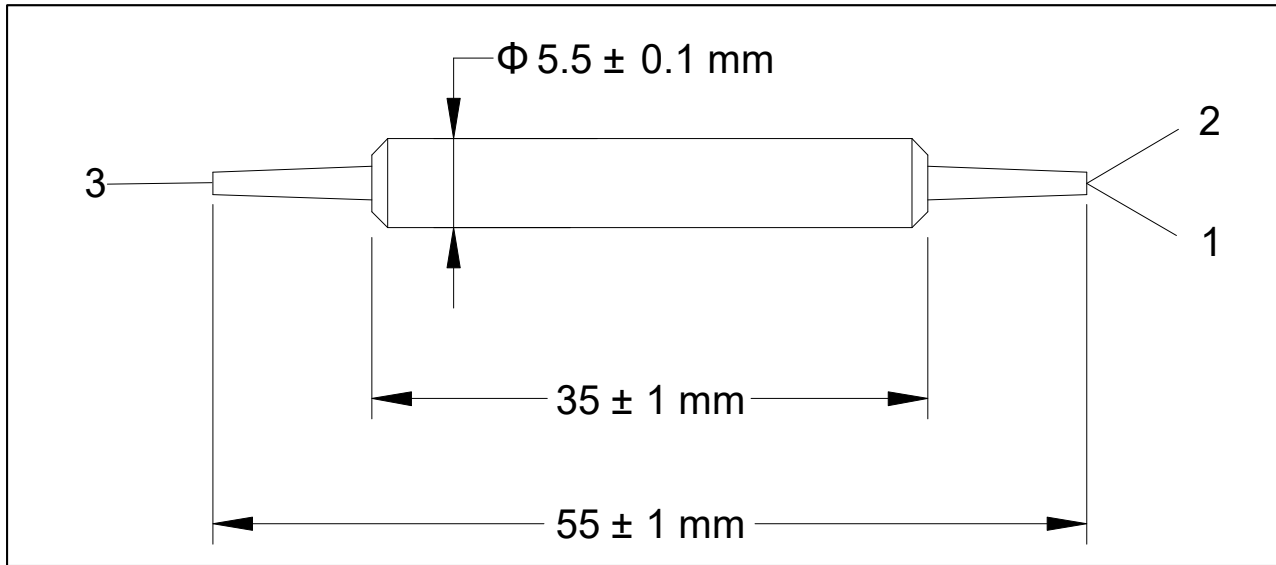
The Polarization Beam Combiner/Splitter is a compact high performance lightwave component that combines two orthogonal polarization signals into one output fiber. The most common application is to combine the light of two pump lasers into one single fiber to double the pump power in EDFA or Raman Amplifier. The device can also be used as a beam splitter.

### ● Specifications

Parameter	Unit	Grade P	Grade A
Center Wavelength ( $\lambda_c$ )	nm	1310, 1480, 1550	
Operating Wavelength Range	nm	$\lambda_c \pm 40$	
Typ. Insertion Loss	dB	0.4	0.5
Max. Insertion Loss	dB	0.6	0.7
Min. Extinction Ratio (for Splitter only)	dB	22	20
Min. Return Loss	dB	50	
Min. Directivity	dB	50	
Max. Optical Power (Continuous Wave)	mW	500	
Fiber Type	-	PM Panda Fiber for Ports 1 & 2, SMF-28 or PM Panda Fiber for Port 3	
Max. Tensile Load	N	5	
Operating Temperature	°C	- 5 to + 70	
Storage Temperature	°C	- 40 to + 85	

<sup>1</sup>IL is 0.3 dB higher, RL is 5 dB lower, and ER is 2 dB lower for each connector added.  
Connector key is aligned to slow axis.

## ● Package Dimensions



## ● Ordering Information

GK-PBC-①-②-③-④-⑤-⑥

GK-PBS-①-②-③-④-⑤-⑥

### ①: Wavelength

31 - 1310 nm

48 - 1480 nm

55 - 1550 nm

SS - Specify

### ②: Fiber Type for Port 3

1 - SMF-28

2 - Slow axis aligned 45° to Port 1

3 - Slow axis aligned to Port 1

S - Specify

### ③: Connector Type

1 - FC/UPC 4 - SC/APC

2 - FC/APC N - None

3 - SC/UPC S - Specify

### ④: Fiber Jacket

B - 250  $\mu\text{m}$  Bare FiberL - 900  $\mu\text{m}$  Loose Tube

S - Specify

### ⑤: Fiber Length

Q - 0.75 m

S - Specify

### ⑥: Grade

P - Premium

A - A Grade